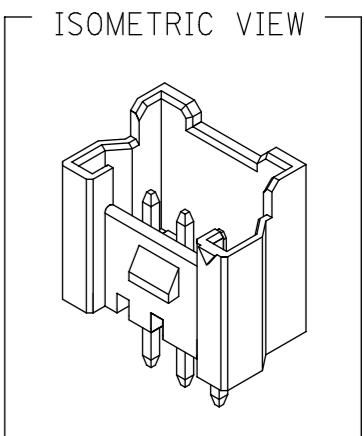
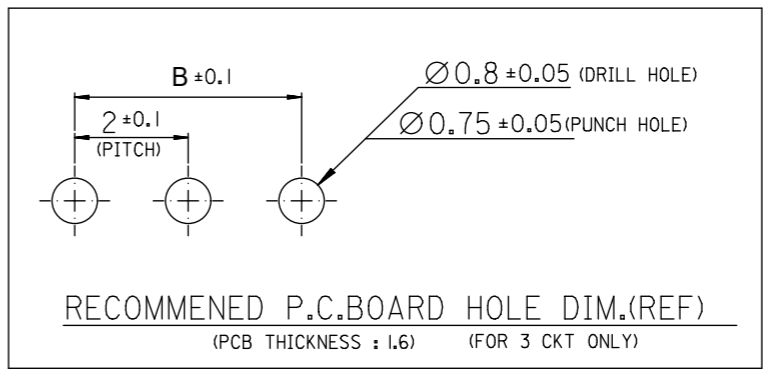
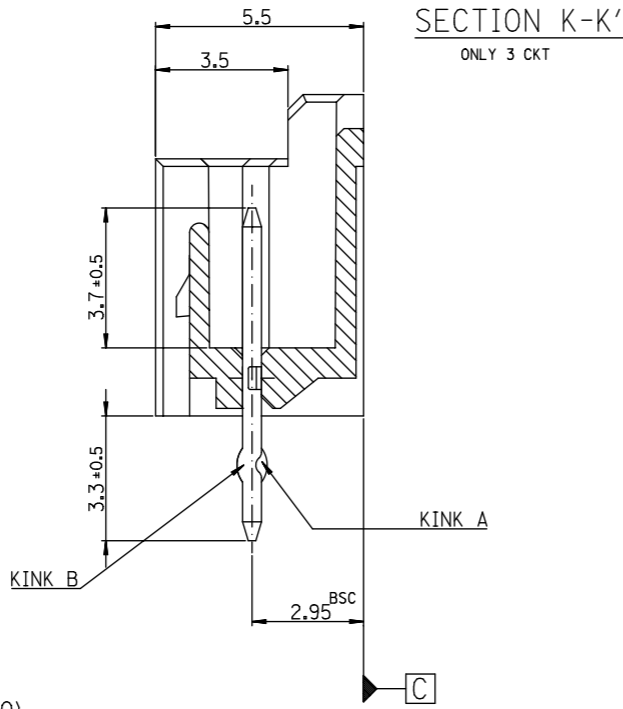
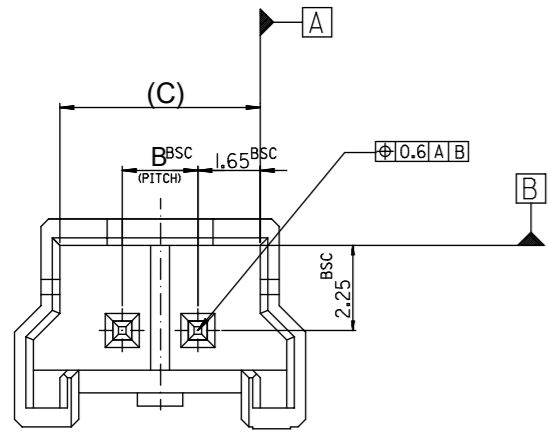


FOR 2 & 3 CKTS.

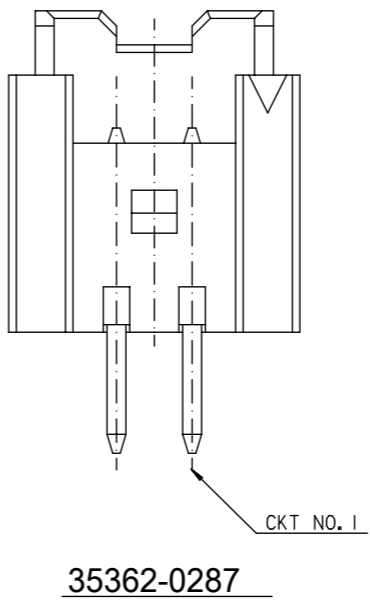
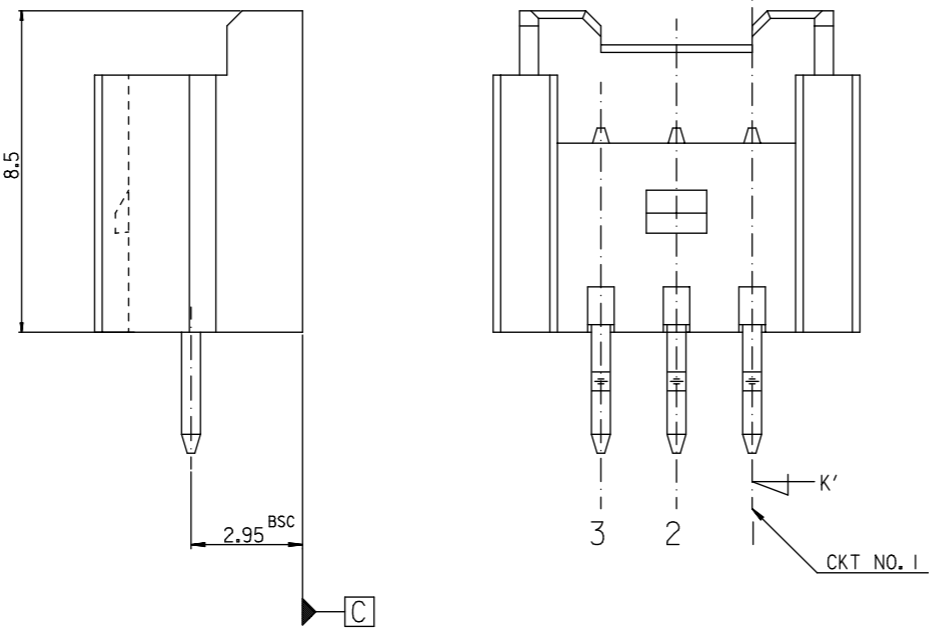
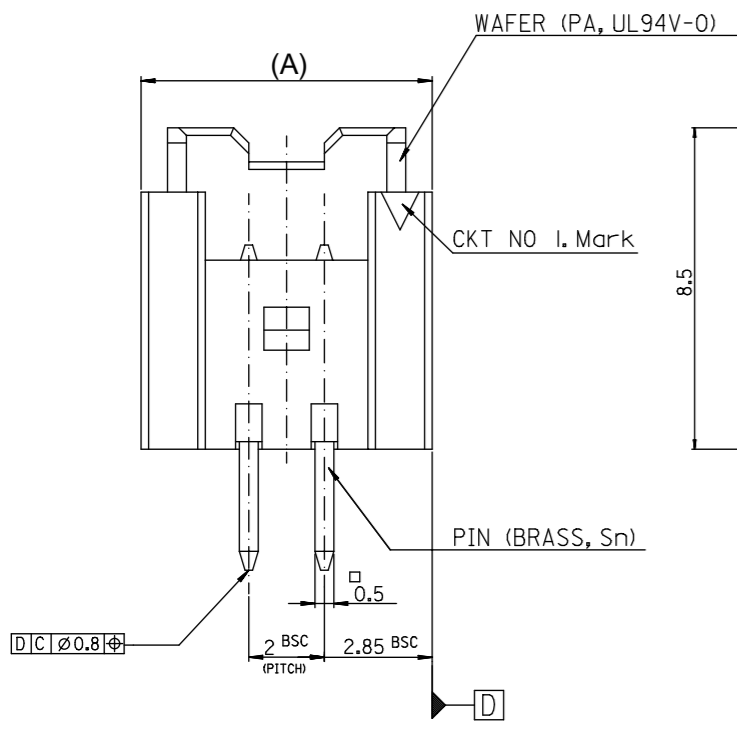


LEGEND

SD-35362-****
 CKT NO. _____ COLOR _____

0	: NATURAL
1	: BLACK
2	: RED
3	: YELLOW
4	: BLUE
5	: GREEN
6	: TUBE PACKING (Natural Color)
7	: TUBE PACKING (Red Color)
8	: TUBE PACKING (Blue Color)

FINAL GOOD (BULK)	5	: SELECTIVE KINK (LEAD FREE)
	6	: NONE KINK (LEAD FREE)
SUB ASSY (TUBE)	7	: SELECTIVE KINK (LEAD FREE)
	8	: NONE KINK (LEAD FREE)



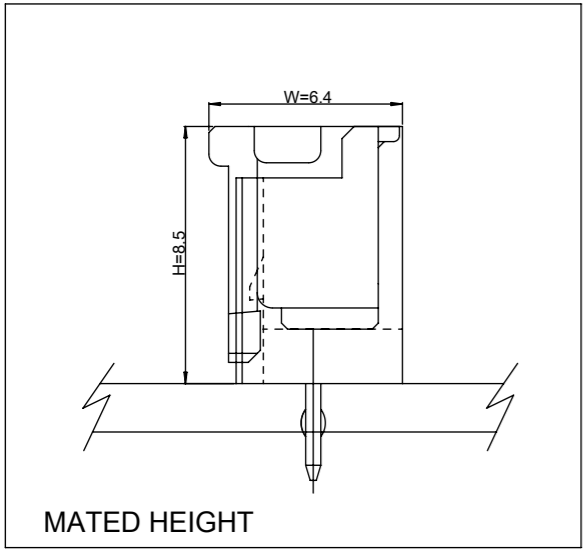
35362-0287

- NOTES
- MATERIAL : UNFILLED POLYAMIDE, UL94V-0
PIN : BRASS
 - FINISHES : PIN - Tin(Sn) 1.0~3.0µm OVERALL
Cu 1.5~3.75µm OVERALL
 - PRODUCT SPECIFICATION : PS-35507-003
 - MATING HOUSING : 35507-**0*
MATING TERMINAL : 50212-8000
 - KINK

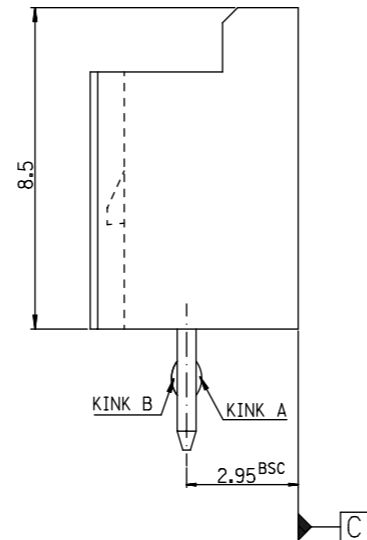
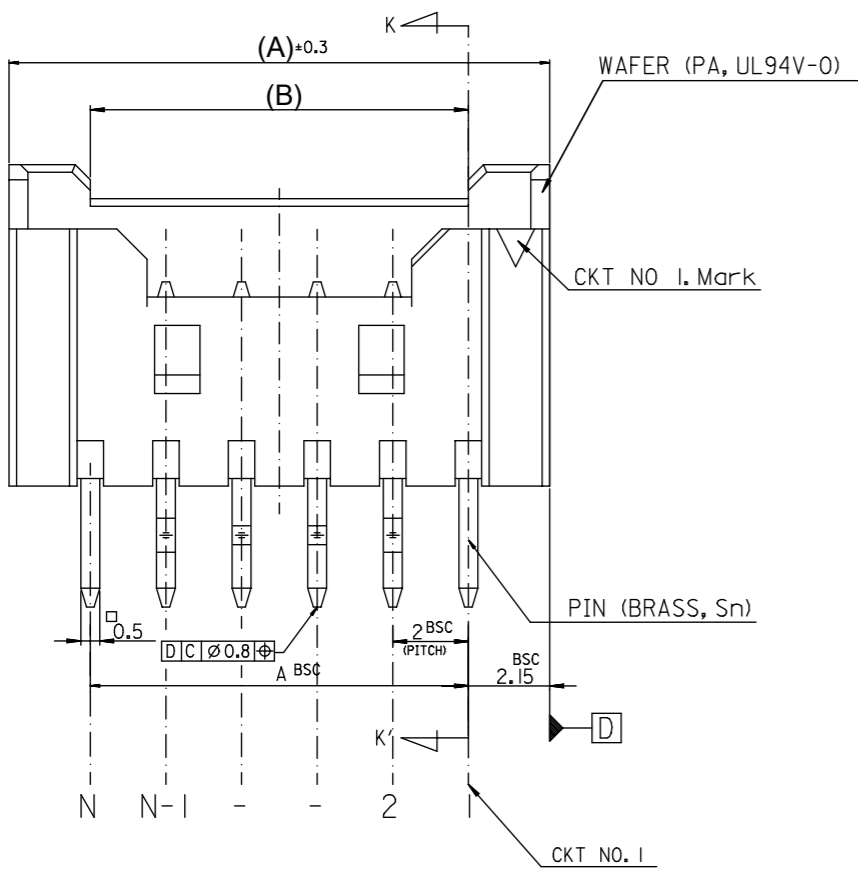
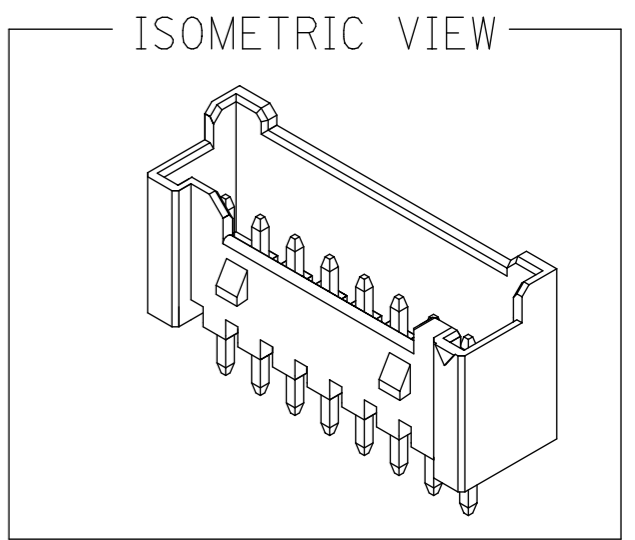
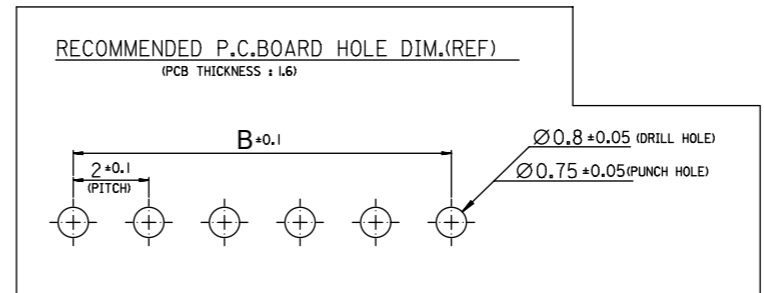
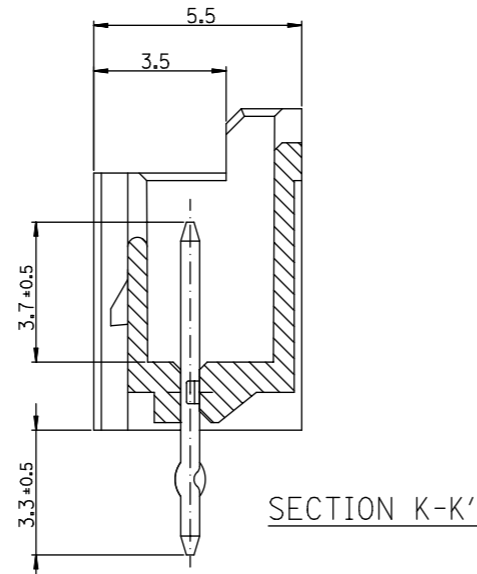
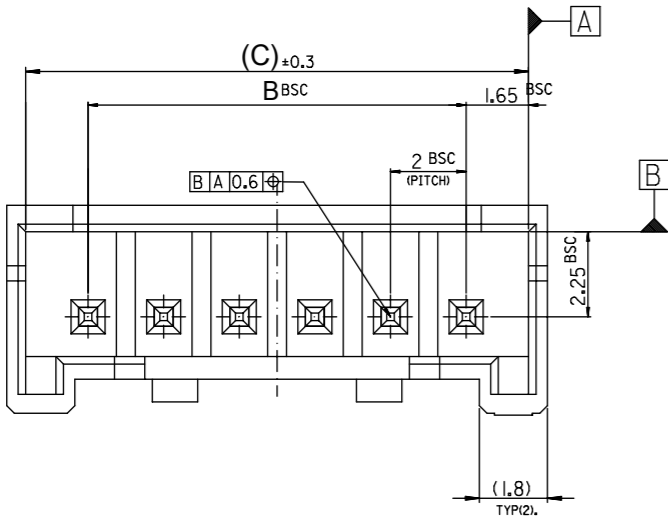
CKT NO		1	2	3
CKT				
2 CKT				
3 CKT	A	B	A	

CKT NO		1	2
PRODUCT NO.			
35362-0287	A	B	

7.3	4	9.7	3536203**	35362-03**	3
5.3	2	7.7	3536202**	35362-02**	2
(C)	B	(A)	MATERIAL NO.	ENG. NO.	CKT



LEAD FREE		FUNCTIONAL SYMBOLS	THIS DRAWING CONTAINS INFORMATION THAT IS PROPRIETARY TO MOLEX ELECTRONIC TECHNOLOGIES, LLC AND SHOULD NOT BE USED WITHOUT WRITTEN PERMISSION	
30 over ±0.3		△/A = 0	DIMENSION UNITS	SCALE
10 over 30 under ±0.25		△/E = 0	mm	5:1
10 under ±0.2		△/P = 0	GENERAL TOLERANCES (UNLESS SPECIFIED)	
ANGLE ±3°		DIVISIONAL SYMBOLS	ANGULAR TOL ± °	
GENERAL TOLERANCE		CURRENT REV DESC:		
		EC NO: 636378		
		DRWN: SCHONG03 2020/04/21		
		CHK'D: JBJIN 2020/04/23		
		APPR: YSKIM02 2020/04/23		
		INITIAL REVISION:		
		DRWN: DYJANG 2004/09/01		
		APPR: CHANGWOOLEE 2004/09/02		
		DRAFT WHERE APPLICABLE MUST REMAIN WITHIN DIMENSIONS	THIRD ANGLE PROJECTION	DRAWING
				A3-SIZE
			SERIES	35362
			MATERIAL NUMBER	SEE TABLE
			CUSTOMER	GENERAL MARKET
			DOCUMENT NUMBER	SD-35362-002
			DOC TYPE	PSD
			DOC PART	002
			REVISION	F3
			SHEET NUMBER	1 OF 1



LEGEND

SD-35362-****
 CKT NO. _____ COLOR _____

- 0 : NATURAL
- 1 : BLACK
- 2 : RED
- 3 : YELLOW
- 4 : BLUE
- 5 : GREEN
- 6 : TUBE PACKING (Natural Color)
- 7 : TUBE PACKING (Red Color)
- 8 : TUBE PACKING (Blue Color)

FINAL GOOD (BULK)

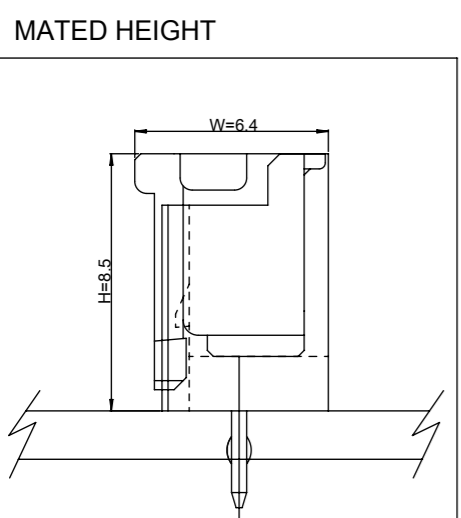
- 5 : SELECTIVE KINK (LEAD FREE)
- 6 : NONE KINK (LEAD FREE)

SUB ASSY (TUBE)

- 7 : SELECTIVE KINK (LEAD FREE)
- 8 : NONE KINK (LEAD FREE)

- NOTES**
- MATERIAL : WAFER : UNFILLED POLYAMIDE, UL94V-0
PIN : BRASS
 - FINISHES : PIN - Tin(Sn) 1.0~3.0µm OVERALL
Cu 1.5~3.75µm OVERAL
 - PRODUCT SPECIFICATION : PS-35507-003
 - MATING HOUSING : 35507-**0*
MATING TERMINAL : 50212-8000
 - KINK

	CKT NO	1	2	3	-	-	N-2	N-1	N
CKT		-	A	B	-	-	B	A	-
16±20 CKT		-	A	B	-	-	B	A	-



41.3	38	42.3	3536220**	35362-20**	20
39.3	36	40.3	3536219**	35362-19**	19
37.3	34	38.3	3536218**	35362-18**	18
35.3	32	36.3	3536217**	35362-17**	17
33.3	30	34.3	3536216**	35362-16**	16
(C)	B	(A)	MATERIAL NO.	ENG. NO.	CKT

LEAD FREE	FUNCTIONAL SYMBOLS	THIS DRAWING CONTAINS INFORMATION THAT IS PROPRIETARY TO MOLEX ELECTRONIC TECHNOLOGIES, LLC AND SHOULD NOT BE USED WITHOUT WRITTEN PERMISSION	CURRENT REV DESC:		molex
	30 over ±0.3	mm 5:1	EC NO: 636378		
10 over 30 under ±0.25	GENERAL TOLERANCES (UNLESS SPECIFIED)	4 PLACES ±	DRWN: SCHONG03	2020/04/21	2.0 WB WAFER ASSY -LEAD FREE-
10 under ±0.2	ANGULAR TOL ± °	3 PLACES ±	CHK'D: JBJIN	2020/04/23	
ANGLE ±3°	DIVISIONAL SYMBOLS	2 PLACES ±	APPR: YSKIM02	2020/04/23	PRODUCT CUSTOMER DRAWING
GENERAL TOLERANCE	DRAFT WHERE APPLICABLE MUST REMAIN WITHIN DIMENSIONS	1 PLACE ±	INITIAL REVISION:	DOCUMENT NUMBER	DOC TYPE DOC PART REVISION
	THIRD ANGLE PROJECTION	0 PLACES ±	DRWN: DYJANG	SD-35362-002	PSD 003 F3
		DRAWING	APPR: CHANGWOOLEE	MATERIAL NUMBER	CUSTOMER
		A3-SIZE	SERIES	SEE TABLE	GENERAL MARKET
			35362		SHEET NUMBER
					1 OF 1