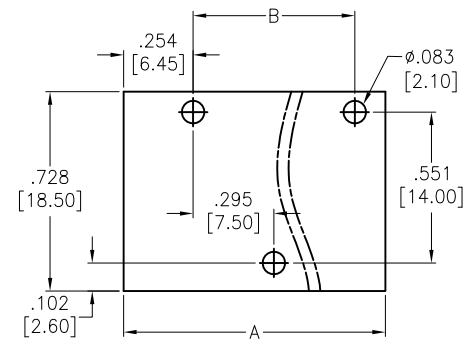
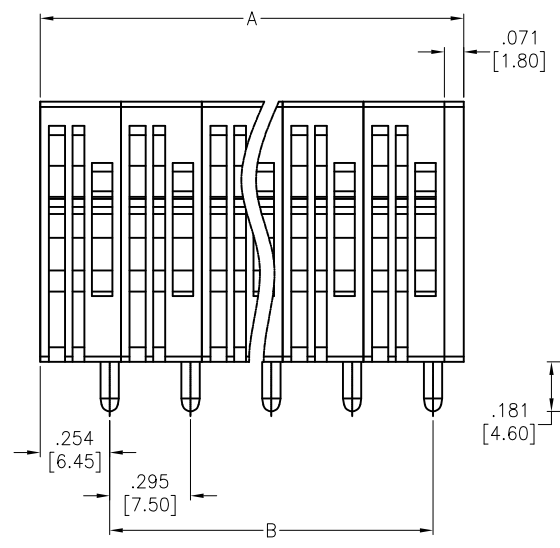
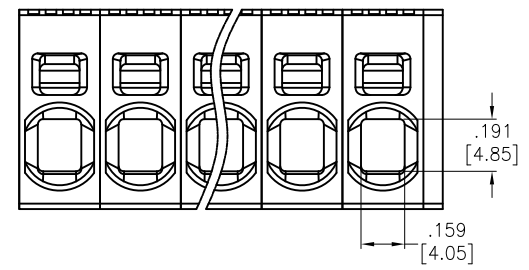


Rev	AWO #	Description	Date	Appr
-		RELEASED	11/26/18	

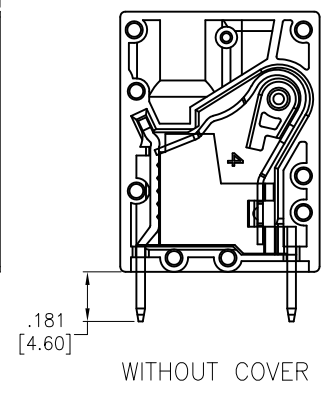
APPROVED: _____
 DATE: _____ TITLE: _____



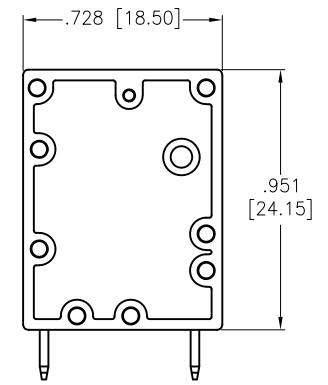
RECOMMENDED PCB LAYOUT



01P 02P 03P xxP



WITHOUT COVER



SPECIFICATIONS:

Material:
 Insulator: PA, rated UL 94V-0
 Insulator color: Green
 Contact: Copper Alloy, Tin plated
Electrical:
 Voltage rating: 600 V
 Current rating: 40 A
 Dielectric withstanding voltage: 2,200 VAC for 1 minute
Mechanical:
 Strip length: 15~16mm
 Wire Range: 24~8 AWG
 Temperature Rating:
 Operating temperature: -40°C to +105°C
Environmental:
 Lead free, RoHS compliant.



Poles: 01 thru XXP
 A = .295 [7.50] X No. of Positions +.071 [1.80]
 B = .295 [7.50] X No. of Spaces

UNLESS OTHERWISE SPECIFIED ALL DIMENSIONS ARE INCHES [MM] TOLERANCES: EXCEPT AS NOTED			
INCHES		HOLES	
.X	± .10	Ø.X	± .10
.XX	± .020	Ø.XX	± .015
.XXX	± .015	Ø.XXX	± .010
APPROVALS		DATE	
DRAWN	AY	11/26/18	
CHECKED	AC	11/26/18	
APPROVED			

ADAM
TECH
INTERCONNECTS

909 Rahway Avenue,
 Union, NJ 07083
 Phone: 908-687-5000
 Fax: 908-687-5710

TITLE SPRING CLAMP EURO BLOCK, .295 [7.50] PITCH			
SIZE X	PART NO. EB167A-XX-M-180	REV. -	
REF: S00067C	SCALE: NTS	SHEET 1 OF 1	

6

5

4

3

2

1

6

5

4

3

2

1