

MEAS TEMPERATURE SYSTEM SENSOR (TSYS02D) XPLAINED PRO BOARD

Digital Temperature
Digital Component Sensor (DCS) Development Tools

Performance

- ◆ -5°C to 50°C accuracy: 0.2°C
- ◆ -20°C to 100°C accuracy: 0.5°C
- ◆ -40°C to 125°C accuracy: 1°C
- ◆ Very low power consumption
- ◆ Operates from 1.5V to 3.6V
- ◆ Time constant – 4 seconds typical

Features

- ◆ 20-pin Xplained Pro compatible connector
- ◆ I²C interface
- ◆ Xplained Pro hardware identification chip
- ◆ Atmel Studio 6 Project available for download
- ◆ µC C code available for download
- ◆ 24/16 bit resolution for temperature
- ◆ Parameters stored on chip

The Temperature System Sensor (TSYS02D) Xplained Pro provides the necessary hardware to interface the TSYS02D digital temperature sensor to any system that utilizes Xplained Pro compatible expansion ports configurable for I²C communication. The TSYS02D sensor is a self-contained temperature sensor that is fully calibrated during manufacture. The sensor can operate from 2.2V to 3.6V. The TSYS02D has a low power stand-by mode for power-sensitive applications.

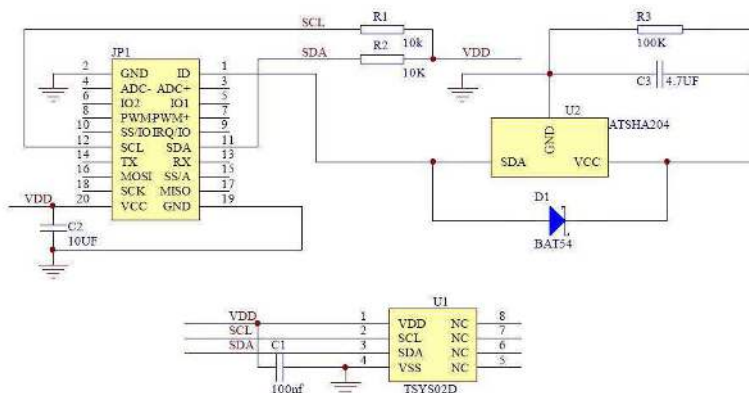
Refer to the TSYS02D data sheet for detailed information regarding operation of the IC:

<http://www.te.com/usa-en/product-G-NIMO-003.html>

Specifications

- ◆ Measures temperature from -40°C to 125°C
- ◆ I²C communication
- ◆ Fully calibrated
- ◆ Fast response time
- ◆ Very low power consumption

Schematic

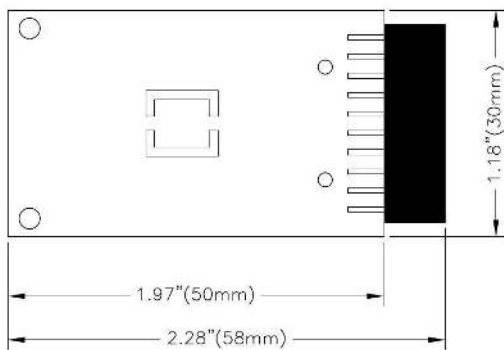


Connector Pin Assignments (I²C Communications)

System Plug

Connector JP1					
Pin No.	Signal	Description	Pin No.	Signal	Description
1	ID	Hardware identification	11	SDA	TWI Serial Data
2	GND	Ground	12	SCL	TWI Serial Clock
3	N/C	Not Connected	13	N/C	Not Connected
4	N/C	Not Connected	14	N/C	Not Connected
5	N/C	Not Connected	15	N/C	Not Connected
6	N/C	Not Connected	16	N/C	Not Connected
7	N/C	Not Connected	17	N/C	Not Connected
8	N/C	Not Connected	18	N/C	Not Connected
9	N/C	Not Connected	19	GND	Ground
10	N/C	Not Connected	20	Vdd	Power Supply

Dimensions (mm)



Detailed Description

I²C Interface

The peripheral module can interface to the host being plugged directly into an Xplained Pro extension port (configured for I²C) through connector JP1.

External Control Signals

The IC operates as an I²C slave using the standard 2 wire I²C connection scheme. The IC is controlled either by the host (through the Xplained Pro connector). In cases where one or more of the SCL and SDA signals are driven from an external source, 10k resistors R1, R2 provide pull-up. However, this also increases the apparent load to the external driving source. If the external source is not capable of driving these loads (10k), they should be removed.

Reference Materials

The complete software kit is available for download at: [Link to TSYS02D_CPROJ.zip](#)

Drivers & Software

Detailed example software and drivers are available that execute directly without modification on a number of development boards that support an integrated or synthesized microprocessor. The download contains several source files intended to accelerate customer evaluation and design. The source code is written in standard ANSI C format, and all development documentation including theory/operation, register description, and function prototypes are documented in the interface file.

Functions Summary

Enumerations

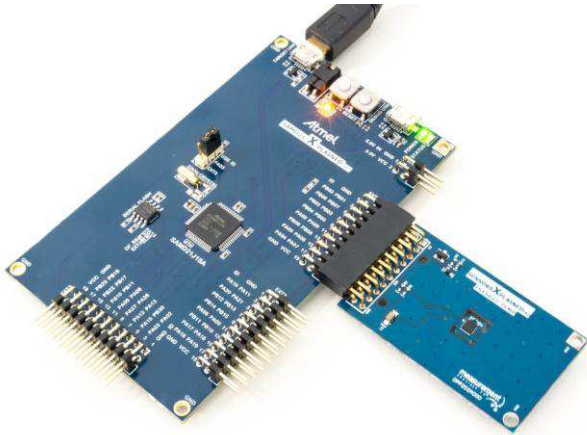
enum	tsys02d_i2c_master_mode { tsys02d_i2c_hold, tsys02d_i2c_no_hold }
enum	tsys02d_status { tsys02d_status_ok, tsys02d_status_no_i2c_acknowledge, tsys02d_status_i2c_transfer_error, tsys02d_status_crc_error }
enum	tsys02d_resolution { tsys02d_resolution_t_14b, tsys02d_resolution_t_13b, tsys02d_resolution_t_12b, tsys02d_resolution_t_11b }
enum	tsys02d_battery_status { tsys02d_battery_ok, tsys02d_battery_low }
enum	tsys02d_heater_status { tsys02d_heater_off, tsys02d_heater_on }

Functions



void	tsys02d_init (void) Configures the SERCOM I2C master to be used with the TSYS02D device.
bool	tsys02d_is_connected (void) Check whether TSYS02D device is connected.
enum tsys02d_status	tsys02d_reset (void) Reset the TSYS02D device.
enum tsys02d_status	tsys02d_read_serial_number (uint64_t *) Reads the tsys02d serial number.
enum tsys02d_status	tsys02d_set_resolution (enum tsys02d_resolution) Set temperature ADC resolution.
void	tsys02d_set_i2c_master_mode (enum tsys02d_i2c_master_mode) Set I2C master mode.
enum tsys02d_status	tsys02d_read_temperature (float *) Reads the temperature ADC value and compute the degree Celsius one.
enum tsys02d_status	tsys02d_get_battery_status (enum tsys02d_battery_status *) Provide battery status.
enum tsys02d_status	tsys02d_enable_heater (void) Enable heater.
enum tsys02d_status	tsys02d_disable_heater (void) Disable heater.
enum tsys02d_status	tsys02d_get_heater_status (enum tsys02d_heater_status *) Get heater status.

Project Setup

This project is based on ATSAM20J18 board with Measurement Specialties Xplained Pro extension board connected to EXT1 pad as shown on figure below.



Running the Application

1. Download the TSYS02D Xplained Pro example package on [TE Website](#)
2. Decompress the archive file
3. Open the .cproj project file with Atmel Studio 6
4. You will now be able to build the TSYS02D example project - 
5. Finally, run the build result on your Xplained Pro Board - 

Application Code

This section is intended to provide a basic example of functionality.

```
/**
 * \file main.c
 *
 * \brief TSYS02D temperature monitoring application file
 *
 * Copyright (c) 2014 Measurement Specialties. All rights reserved.
 */

#include <asf.h>

float temperature;
uint64_t serial;

int main (void)
{
    enum tsys02d_status status;
    float last_temperature = 0;
```

```
float variation = 0;
enum tsys02d_heater_status heater;

system_init();
delay_init();

// Configure device and enable
tsys02d_init();

if( !tsys02d_is_connected() )
    return -1;

// Reset TSYS02D
status = tsys02d_reset();
if( status != tsys02d_status_ok)
    return -1;

// Monitor temperature every 500ms
while (1) {
    tsys02d_read_temperature( &temperature);
    if( status != tsys02d_status_ok)
        return -1;
    variation += temperature - last_temperature;
    // Look for significant temperature variation
    if ( variation >= 0.5 ) {
        // Yes, so turn LED on.
        port_pin_set_output_level(LED_0_PIN, LED_0_ACTIVE);
        variation = 0;
    } else if ( variation <= -0.5 ) {
        // No, so turn LED off.
        port_pin_set_output_level(LED_0_PIN, LED_0_INACTIVE);
        variation = 0;
    }
    delay_ms(500);
    last_temperature = temperature;
}
return 0;
}
```

Ordering Information

Description	Part Number
MEAS TSYS02D XPLAINED PRO BOARD	DPP202A000

Permission is hereby granted, free of charge, to any person obtaining a copy of this software and associated documentation files (the "Software"), to deal in the Software without restriction, including without limitation the rights to use, copy, modify, merge, publish, distribute, sublicense, and/or sell copies of the Software, and to permit persons to whom the Software is furnished to do so, subject to the following conditions: The above copyright notice and this permission notice shall be included in all copies or substantial portions of the Software.

THE SOFTWARE IS PROVIDED "AS IS", WITHOUT WARRANTY OF ANY KIND, EXPRESS OR IMPLIED, INCLUDING BUT NOT LIMITED TO THE WARRANTIES OF MERCHANTABILITY, FITNESS FOR A PARTICULAR PURPOSE AND NONINFRINGEMENT. IN NO EVENT SHALL THE AUTHORS OR COPYRIGHT HOLDERS BE LIABLE FOR ANY CLAIM, DAMAGES OR OTHER LIABILITY, WHETHER IN AN ACTION OF CONTRACT, TORT OR OTHERWISE, ARISING FROM, OUT OF OR IN CONNECTION WITH THE SOFTWARE OR THE USE OR OTHER DEALINGS IN THE SOFTWARE.

te.com/sensorsolutions

Measurement Specialties, Inc., a TE Connectivity company.

MEAS, Measurement Specialties (logo), TE Connectivity and TE connectivity (logo) are trademarks. All other logos, products and/or company names referred to herein might be trademarks of their respective owners.

The information given herein, including drawings, illustrations and schematics which are intended for illustration purposes only, is believed to be reliable. However, TE Connectivity makes no warranties as to its accuracy or completeness and disclaims any liability in connection with its use. TE Connectivity's obligations shall only be as set forth in TE Connectivity's Standard Terms and Conditions of Sale for this product and in no case will TE Connectivity be liable for any incidental, indirect or consequential damages arising out of the sale, resale, use or misuse of the product. Users of TE Connectivity products should make their own evaluation to determine the suitability of each such product for the specific application.

© 2016 TE Connectivity Ltd. family of companies All Rights Reserved.

PRODUCT SHEET

MEAS France SAS,
a TE Connectivity company.
Impasse Jeanne Benozzi CS 83 163
31027 Toulouse Cedex 3, FRANCE
Tel: +33 (0) 5 820 822 02
Fax: +33 (0) 5 820 821 51
customercare.tlse@te.com