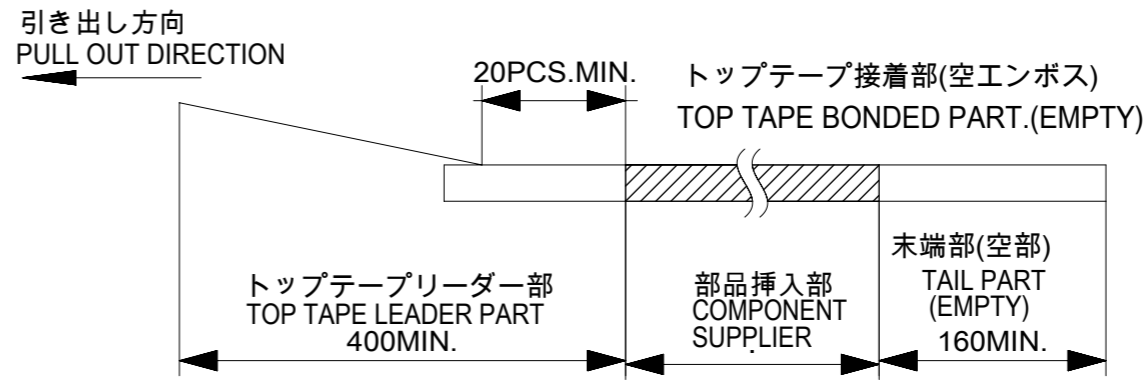
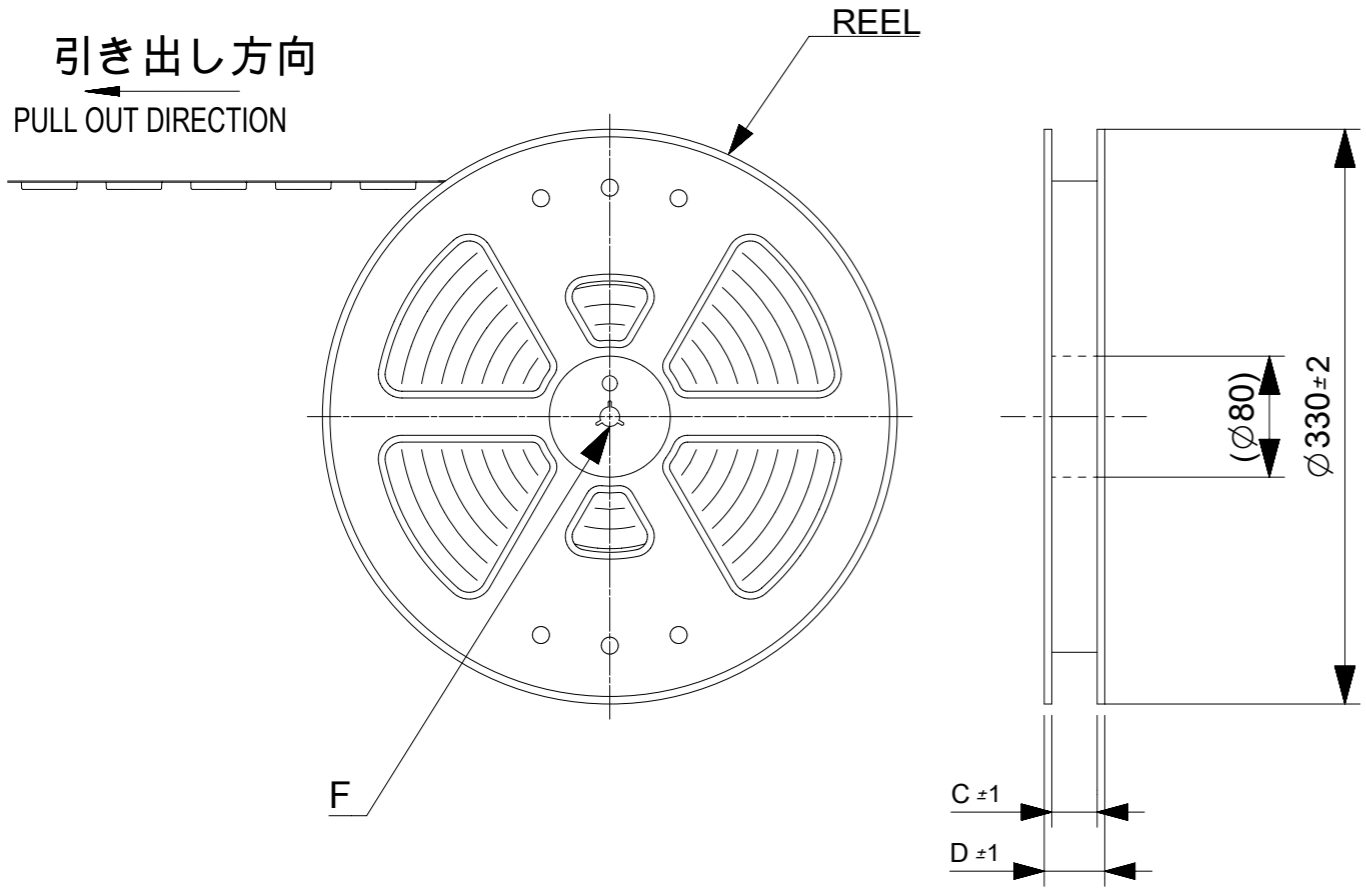
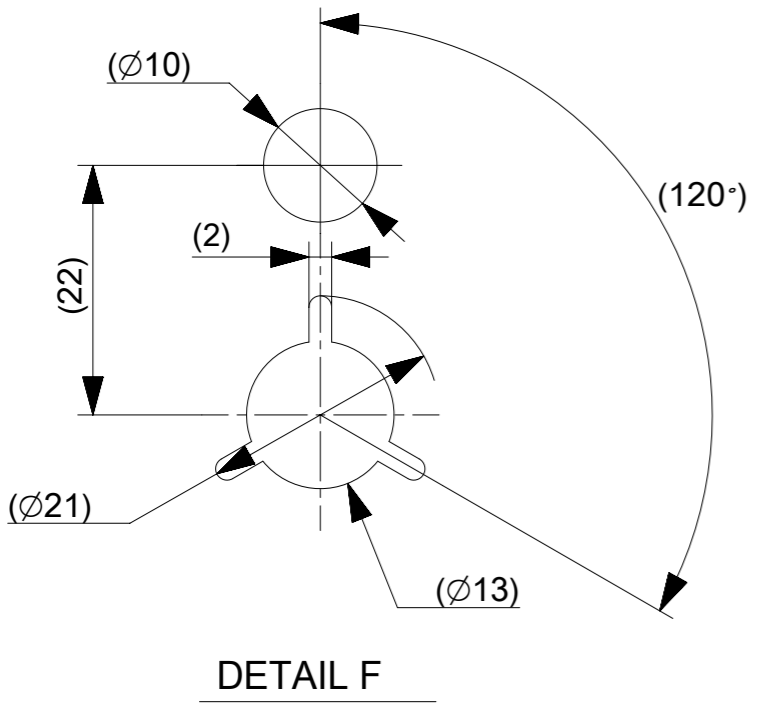


**NOTES**

- 製品詳細寸法については製品単体図面を参照下さい。  
FOR DETAIL OF CONNECTOR DIMENSIONS, SEE PRODUCT DRAWING.
- 梱包数量 : 3000個 / リール  
NUMBER OF CONNECTORS : 3000 PCS/REEL.
- リードテープ長さ LEAD TAPE LENGTH.



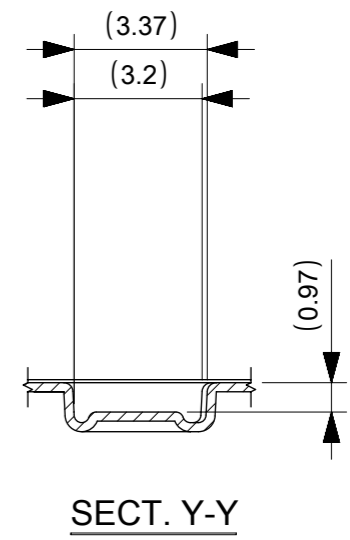
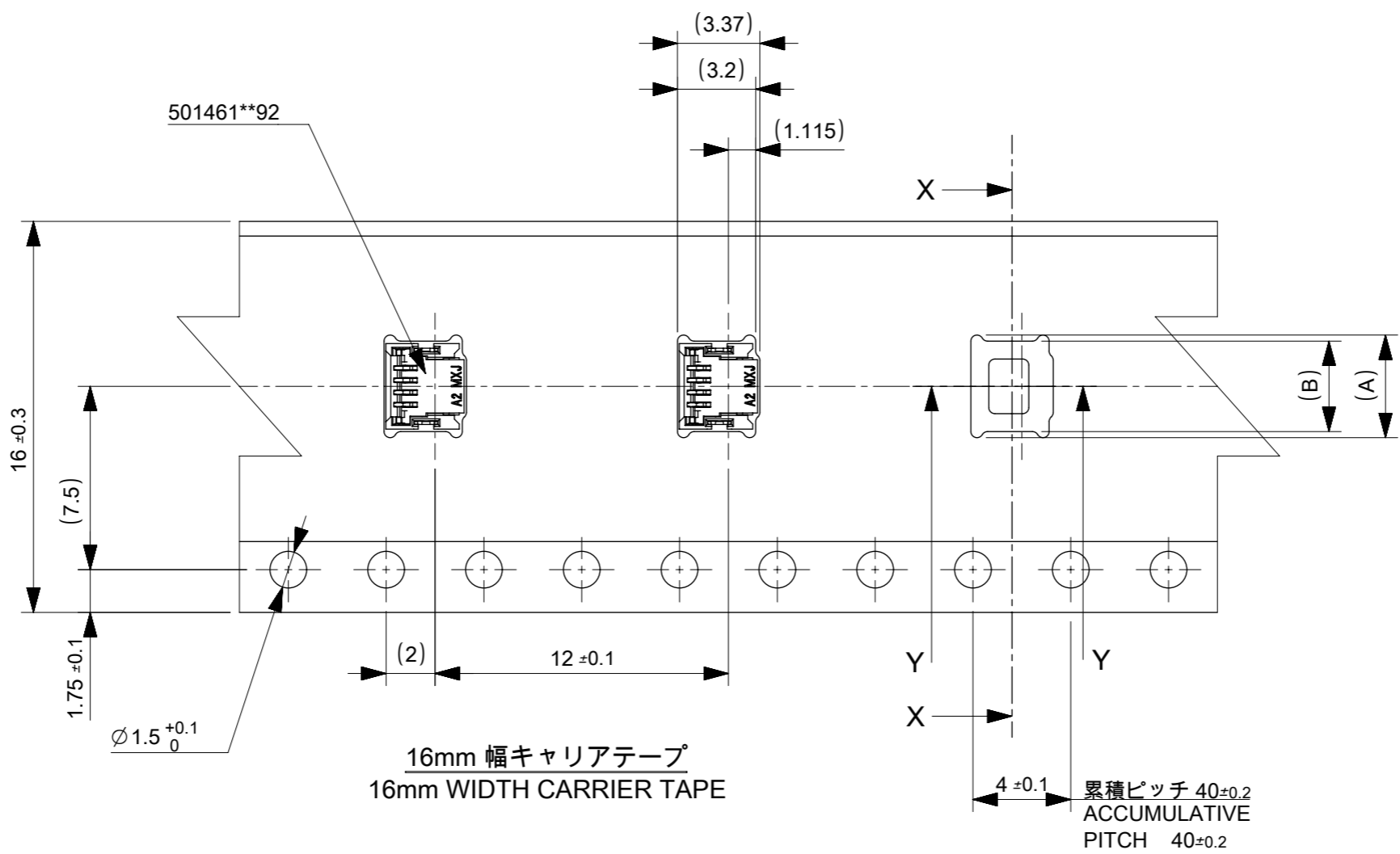
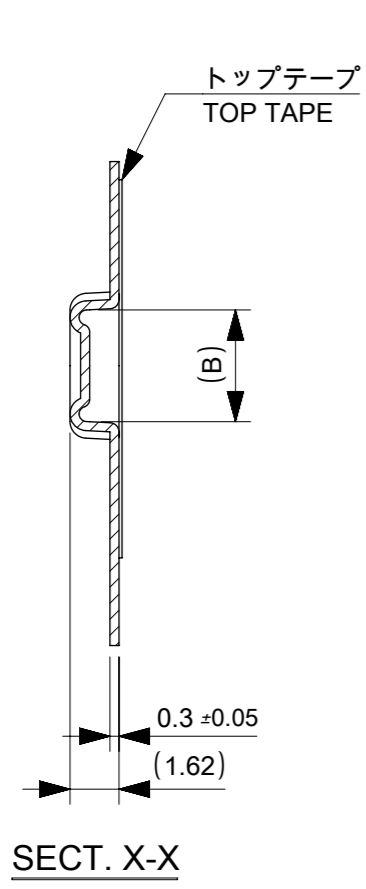
- カバーテープの剥離強度については、IEC60286-3に準拠  
COVER TAPE PEEL FORCE IS DEFINED BY IEC 60286-3.
- 材料 MATERIAL  
キャリアテープ (CARRIER TAPE): ポリスチレン (POLYSTYRENE)  
トップテープ (TOP TAPE): PET, PE, PEF  
リール (REEL) ポリスチレン (PS) <リサイクル材含む>  
POLYSTYRENE (PS) <RECYCLE MATERIAL CONTAINED>
- ELV及びRoHS適合品  
ELV AND RoHS COMPLIANT



501461\*\*91 MODEL NO.

THIS DRAWING CONTAINS INFORMATION THAT IS PROPRIETARY TO MOLEX ELECTRONIC TECHNOLOGIES, LLC AND SHOULD NOT BE USED WITHOUT WRITTEN PERMISSION									
REDRAW	EC NO: 102256	GENERAL TOLERANCES (UNLESS SPECIFIED)	DIMENSION UNITS	SCALE					
	DRWN: NVELUSAMY	ANGULAR TOL ± °	mm	---					
	CHK'D: YNOGAWA	4 PLACES ±	DRWN BY	DATE	0.5 FPC CONN BACK FLIP H=0.8 EMBSTP PKG LOW-HALOGEN				
	APPR: YNOGAWA	3 PLACES ±	NVELUSAMY	2015/12/09					
		2 PLACES ±	CHK'D BY	DATE					
	1 PLACE ±	HIIJIMA		PRODUCT CUSTOMER DRAWING					
	0 PLACES ±	APPR BY	DATE						
		YNOGAWA	2015/12/24	SERIES	MATERIAL NUMBER	CUSTOMER			
				501461	SEE CHART	GENERAL			
				DRAWING SIZE	THIRD ANGLE PROJECTION	DOCUMENT NUMBER	DOC TYPE	DOC PART	SHEET NUMBER
				A3		5014610001	PSD	000	1 OF 2

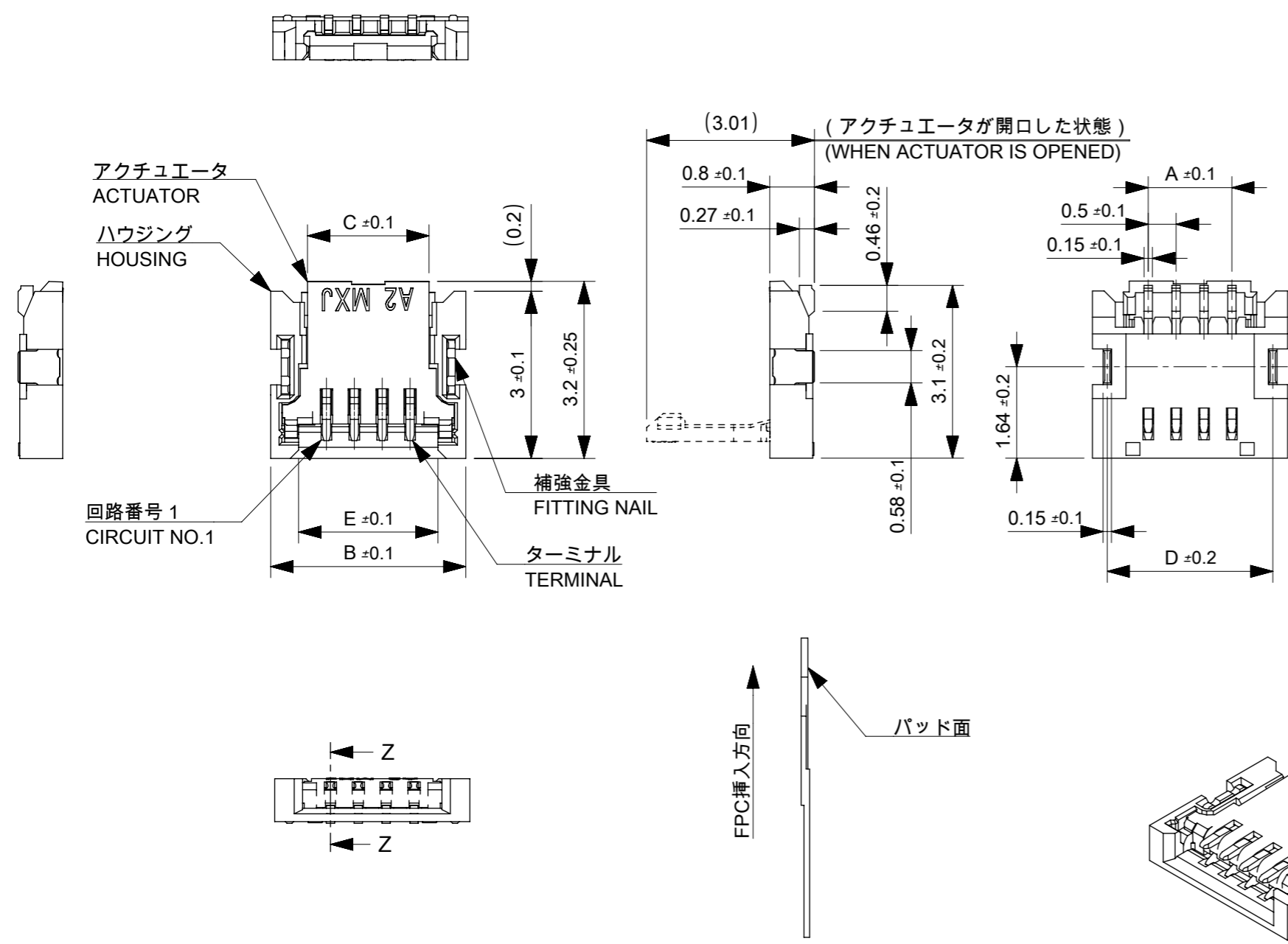
引き出し方向  
PULL OUT DIRECTION



16	21.4	17.4	5.7	6.2	5014610891	8
			4.7	5.2	5014610691	6
			4.2	4.7	5014610591	5
			3.7	4.2	5014610491	4
キャリアテープ幅 CARRIER TAPE WIDTH	D	C	(B)	(A)	EMBOSSED PACKAGE ORDER NO. オーダー番号	極数 CIRCUITS
CONNECTOR SERIES NO:501461**92						

THIS DRAWING CONTAINS INFORMATION THAT IS PROPRIETARY TO MOLEX ELECTRONIC TECHNOLOGIES, LLC AND SHOULD NOT BE USED WITHOUT WRITTEN PERMISSION

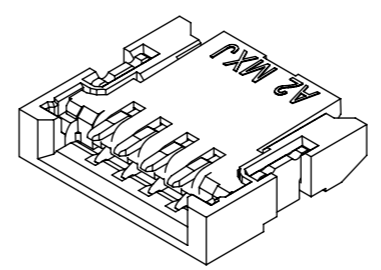
REDRAW EC NO: 102256 DRWN: NVELUSAMY CHK'D: YNOGAWA APPR: YNOGAWA 2015/12/09 2015/12/24 2015/12/24	GENERAL TOLERANCES (UNLESS SPECIFIED)		DIMENSION UNITS	SCALE	
	ANGULAR TOL ± °		mm	---	
	4 PLACES ±		DRWN BY	DATE	
	3 PLACES ±		NVELUSAMY	2015/12/09	
	2 PLACES ±		CHK'D BY	DATE	
	1 PLACE ±		HIIJIMA		
0 PLACES ±		APPR BY	DATE		
DRAFT WHERE APPLICABLE MUST REMAIN WITHIN DIMENSIONS		YNOGAWA	2015/12/24		PRODUCT CUSTOMER DRAWING SERIES: 501461 MATERIAL NUMBER: SEE CHART CUSTOMER: GENERAL
DRAWING SIZE		THIRD ANGLE PROJECTION			
A3					
RELEASE STATUS		P1	RELEASE DATE	2015/12/24	03:08:15
DOCUMENT NUMBER		DOC TYPE		DOC PART	SHEET NUMBER
5014610001		PSD		000	2 OF 2



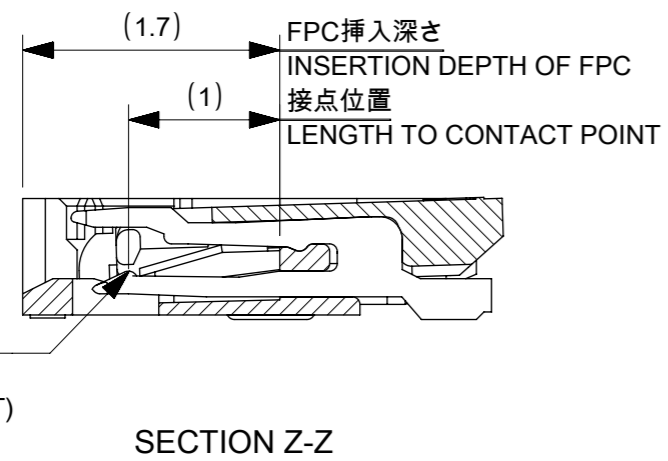
注記

NOTES:

- 材質  
MATERIAL  
ハウジング: 黒色、ポリアミド(PA46)、ガラス充填、UL94HB  
HOUSING: BLACK, POLYAMIDE, GLASS FILLED, UL94HB  
アクチュエーター: ナチュラル(白色)、ポリアミド(PA46)、ガラス充填、UL94HB  
ACTUATOR: NATURAL(WHITE), POLYAMIDE, GLASS FILLED, UL94HB  
ターミナル: リン青銅 ( t = 0.15 )  
TERMINAL: PHOSPHOR BRONZE (t=0.15)  
補強金具: リン青銅 ( t = 0.15 )  
NAIL: PHOSPHOR BRONZE (t=0.15)
- めっき仕様  
PLATING  
ターミナル: 接点部: 部分金メッキ(0.1µm以上)  
テール部: 部分金メッキ  
下地 ニッケルメッキ(1.0µm以上)  
TERMINAL: CONTACT AREA: SEPARATED GOLD PLATING (0.1 MICROMETER MINIMUM)  
SOLDER TAIL AREA: SEPARATED GOLD PLATING UNDER PLATING; NICKEL PLATING OVERALL (1.0 MICROMETER MINIMUM)  
補強金具: 錫メッキ(1.0µm以上)  
下地 ニッケルメッキ(1.0µm以上)  
FITTING NAIL: TIN PLATING 1.0 MICROMETER MINIMUM. UNDER PLATING; NICKEL PLATING OVERALL (1.0 MICROMETER MINIMUM)
- 平坦度は、0.1mm以下とする。  
TAILS AND NAILS COPLANARITY TO BE 0.1mm MAXIMUM.
- ELV&RoHS COMPLIANT

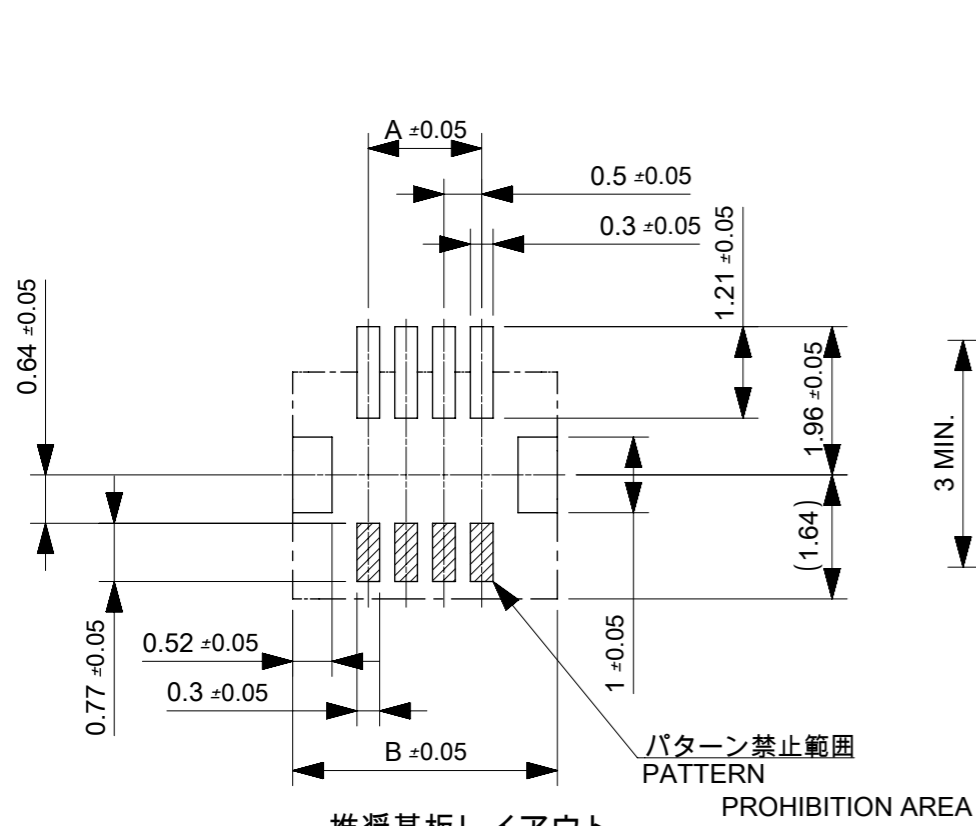


4.5	4.97	4.18	5.5	3.5	5014610891	8
3.5	3.97	3.18	4.5	2.5	5014610691	6
3.0	3.47	2.68	4.0	2.0	5014610591	5
2.5	2.97	2.18	3.5	1.5	5014610491	4
E	D	C	B	A	EMBOSSED TAPE PKG.	極数(N)
ORDER NO. オーダー番号						CIRCUITS(N)
CONNECTOR NO.						5014610492

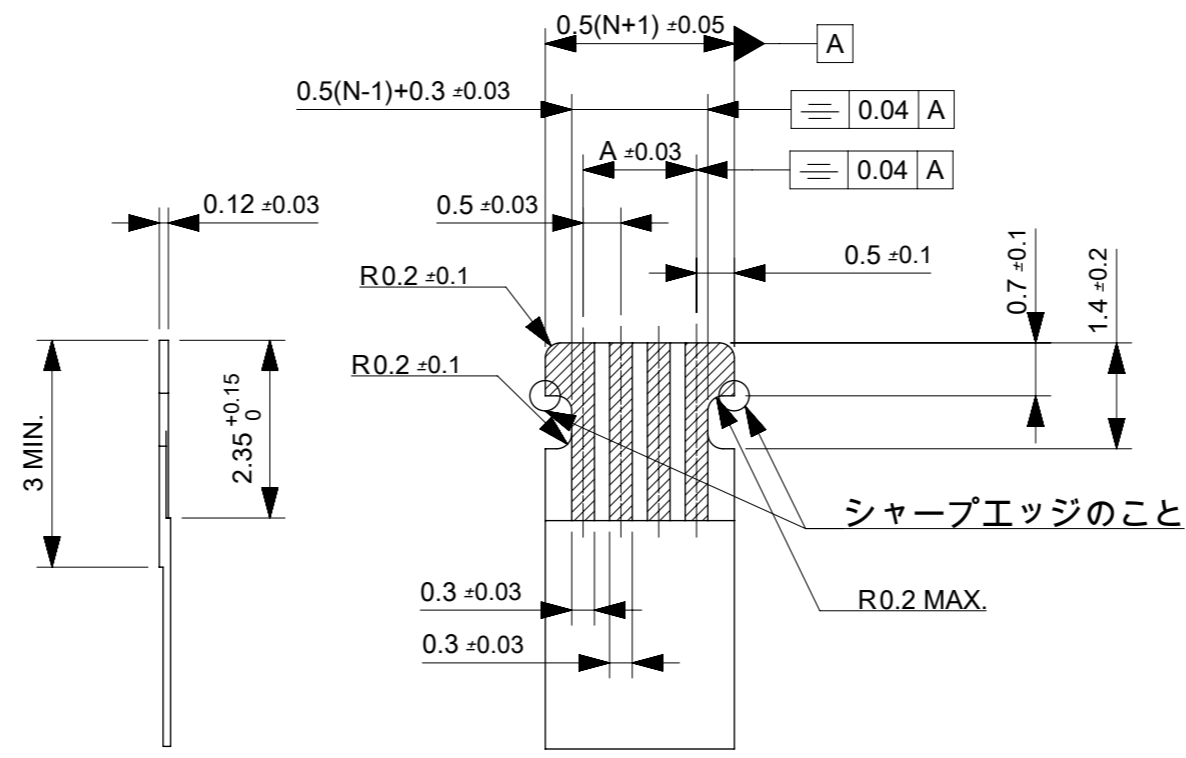


THIS DRAWING CONTAINS INFORMATION THAT IS PROPRIETARY TO MOLEX ELECTRONIC TECHNOLOGIES, LLC AND SHOULD NOT BE USED WITHOUT WRITTEN PERMISSION

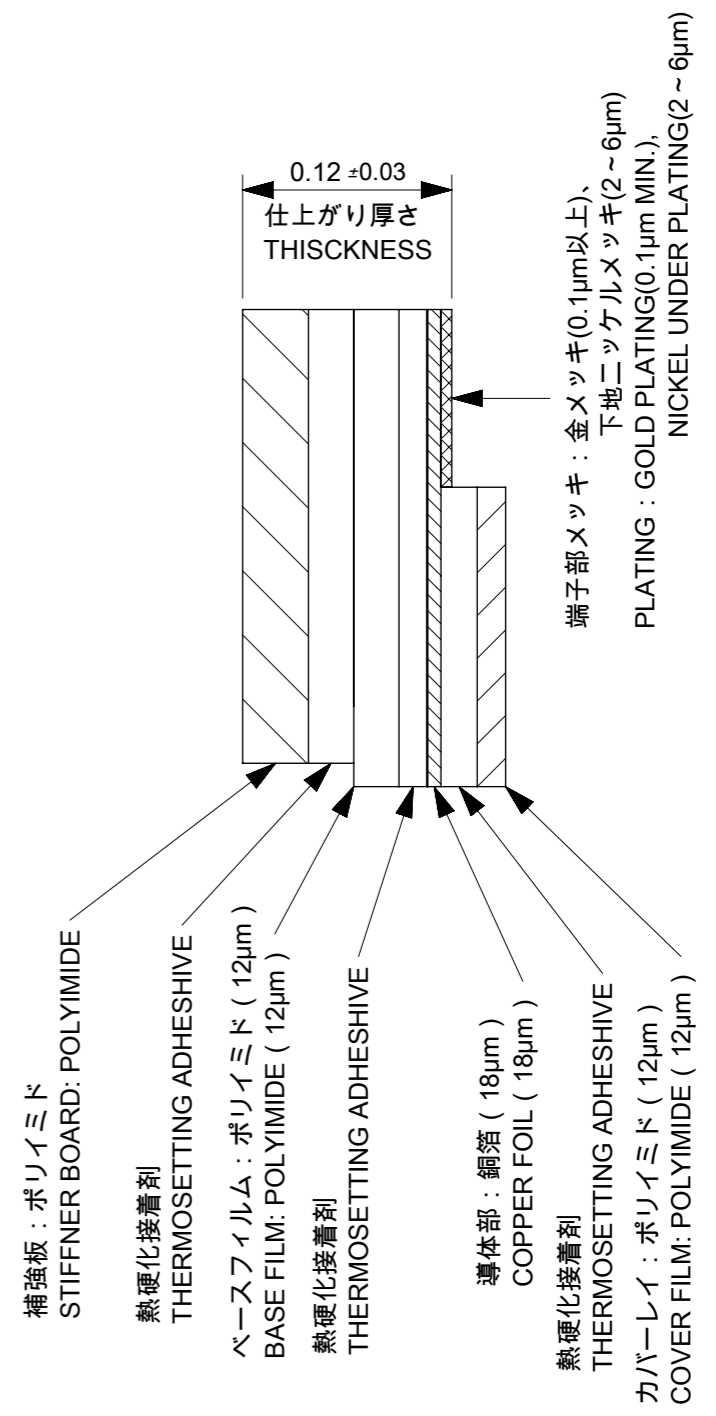
REVISED	2016/01/12	GENERAL TOLERANCES (UNLESS SPECIFIED)	DIMENSION UNITS	SCALE	
	2016/01/18	ANGULAR TOL ± °	mm	10:1	
	2016/01/18	4 PLACES ±	DRWN BY	DATE	
		3 PLACES ±	NVELUSAMY	2015/12/09	
EC NO: 102468	DRWN: MTAKAHASHIO4	2 PLACES ±	CHK'D BY	DATE	0.5 FPC CONN BACK FLIP HGT=0.8 HSG ASSY LOW-HALOGEN PRODUCT CUSTOMER DRAWING
	CHK'D: TKUSUHARA01	1 PLACE ±	HIIJIMA	2015/12/24	
	APPR: TKUSUHARA01	0 PLACES ±	YNOGAWA	2015/12/24	
		DRAFT WHERE APPLICABLE MUST REMAIN WITHIN DIMENSIONS	DRAWING SIZE	THIRD ANGLE PROJECTION	SERIES
			A3		501461
					MATERIAL NUMBER
					SEE CHART
					CUSTOMER
					GENERAL
					DOCUMENT NUMBER
					5014611004
					DOC TYPE
					PSD
					DOC PART
					000
					SHEET NUMBER
					1 OF 2



推奨基板レイアウト  
**RECOMMENDED P.C. BOARD PATTERN LAYOUT**  
 マスク厚 : 120μm  
 マスク開口率 : 100%  
 SCREEN THICKNESS : 120μm  
 SCREEN OPEN RATIO : 100%



適合金メッキFPC推奨寸法  
**APPLICABLE FPC OF GOLD PLATING RECOMMENDED DIMENSION**  
 仕上がり厚さ : 0.12±0.03  
 THICKNESS : 0.12+0.03/-0.03



FPCについて：  
 抜き方向は、導体側から補強板側を推奨します。  
 補強フィルム材質は、ポリイミドを推奨します。  
 接着剤は、熱硬化接着剤を推奨します。  
 尚、接着剤の接点部への付着は、導通不良の原因となりますので染み出しが無いよう、お願いします。

ABOUT FPC：  
 RECOMMENDED PUNCHER DIRECTION：  
 FROM CONDUCTOR SIDE TO STIFFNER FILME SIDE.  
 RECOMMENDED MATERIAL：  
 STIFFNER FILME : POLYIMIDE  
 BONDING AGENT : THRMOSSETTING AGENT  
 PLEASE PUT APPROPRIATE AMOUNT OF ADHESIVE MAY CAUSE THE DEFECT IN ELECTRICAL CONTINUITY.

THIS DRAWING CONTAINS INFORMATION THAT IS PROPRIETARY TO MOLEX ELECTRONIC TECHNOLOGIES, LLC AND SHOULD NOT BE USED WITHOUT WRITTEN PERMISSION											
REVISED	2016/01/12	DRWN: MTAKAHASHIO4	GENERAL TOLERANCES (UNLESS SPECIFIED)	DIMENSION UNITS	SCALE	 <b>0.5 FPC CONN BACK FLIP</b> <b>HGT=0.8 HSG ASSY LOW-HALOGEN</b>					
	2016/01/18	CHK'D: TKUSUHARA01	ANGULAR TOL ± °	mm	10:1						
	2016/01/18	APPR: TKUSUHARA01	4 PLACES ±	DRWN BY	DATE						
			3 PLACES ±	NVELUSAMY	2015/12/09						
			2 PLACES ±	CHK'D BY	DATE						
			1 PLACE ±	HIIJIMA	2015/12/24						
		0 PLACES ±	APPR BY	DATE	PRODUCT CUSTOMER DRAWING						
EC NO: 102468			DRAFT WHERE APPLICABLE MUST REMAIN WITHIN DIMENSIONS	DRAWING SIZE	THIRD ANGLE PROJECTION	SERIES	MATERIAL NUMBER	CUSTOMER			
				A3		501461	SEE CHART	GENERAL			
						DOCUMENT NUMBER	DOC TYPE	DOC PART	SHEET NUMBER		
						5014611004	PSD	000	2 OF 2		