

Photoelectrics Retro-reflective, Polarized Type PD30CNP06....MU

CARLO GAVAZZI



- Miniature sensor range
- Range: 6 m, with reflector
- Sensitivity adjustment by Teach-In programming
- Modulated, red light 660 nm, polarized
- Supply voltage: 10 to 30 VDC
- Output: 100 mA, NPN or PNP preset
- Make and break switching function programmable
- LED indication for output, stability and power ON
- Protection: reverse polarity, short circuit and transients
- Cable and plug versions
- Excellent EMC performance
- Mute function (Sensor blanking)



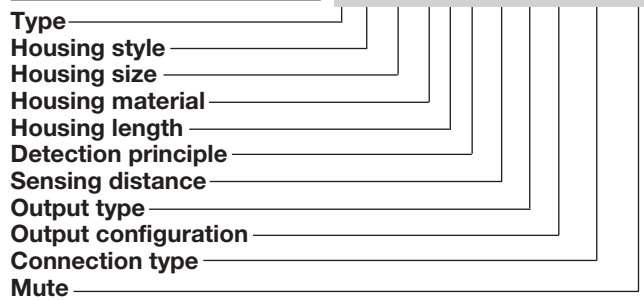
Product Description

The PD30CNP06 sensor family comes in a compact 10 x 30 x 20 mm reinforced PMMA/ABS housing. The sensors are useful in applications where high-accuracy detection as well as small size is required. Compact housing and high power LED for excellent performance-size ratio.

The Teach-In function for adjustment of the sensitivity makes the sensors highly flexible. The output type is preset (NPN or PNP), and the output switching function is programmable (NO or NC). The mute function can be used for testing the sensor for: Malfunctioning, disconnection, optical axis adjustment, dusty and dirty lenses.

Ordering Key

PD30CNP06PPM5MU



Type Selection

Housing W x H x D	Range S _n	Connection	Ordering no. NPN Make or break switching	Ordering no. PNP Make or break switching
10 x 30 x 20 mm	6 m	Cable	PD 30 CNP 06 NPMU	PD 30 CNP 06 PPMU
10 x 30 x 20 mm	6 m	Plug	PD 30 CNP 06 NPM5MU	PD 30 CNP 06 PPM5MU

Note: Reflectors to be ordered separately

Specifications

Rated operating distance (S_n)	Up to 6 m, with reflector Ø 80 mm (ER4) 4 m on ER4060 reflector	Light type	Red, modulated
Blind zone	100 mm	Sensing angle	± 2°
Sensitivity	Adjustable by Teach-In	Ambient light	10,000 lux
Temperature drift	≤ 0.1%/°C	Light spot	110 mm @ 1.5 m
Hysteresis (H) (differential travel)	≤ 10%	Operating frequency	1000 Hz
Rated operational volt. (U_B)	10 to 30 VDC (ripple included)	Response time	
Ripple (U_{rpp})	≤ 10%	OFF-ON (t _{ON})	≤ 0.5 ms
Output current		ON-OFF (t _{OFF})	≤ 0.5 ms
Continuous (I _a)	≤ 100 mA	Power ON delay (t_v)	≤ 300 ms
Short-time (I)	≤ 100 mA (max. load capacity 100 nF)	Output function	
No load supply current (I_o)	≤ 30 mA @ 24 VDC	NPN and PNP	Preset
Minimum operational current (I_m)	0.5 mA	NO/NC switching function	Set up by button
OFF-state current (I_r)	≤ 100 µA	Mute function	
Voltage drop (U_d)	≤ 2.4 VDC @ 100 mA	Emitter off	0 to 3 sec
Protection	Short-circuit, reverse polarity and transients	Emitter ½ power	> 3 sec
Light source	GaAIAs, LED, 660 nm	Operating mode	0 to 2.5 VDC (NPN) 5 to 30 VDC (PNP) 0 to 2.5 VDC (NPN) 5 to 30 VDC (PNP) Not connected
		Indication	
		Output ON	LED, yellow
		Signal stability ON and power ON	LED, green
		Environment	
		Installation category	III (IEC 60664/60664A; 60947-1)



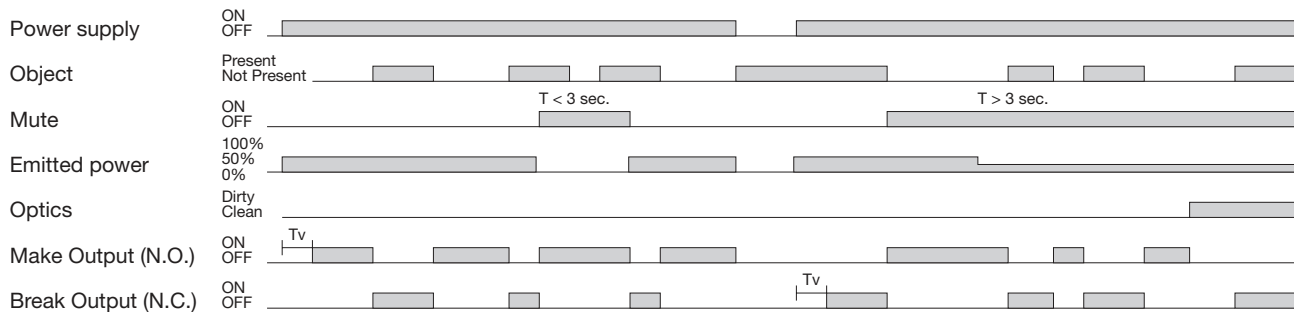
Specifications (cont.)

Pollution degree	3 (IEC 60664/60664A; 60947-1)
Degree of protection	IP 67 (IEC 60529; 60947-1)
Ambient temperature	
Operating	-25° to +55°C (-13° to +131°F)
Storage	-40° to +70°C (-40° to +158°F)
Vibration	10 to 55 Hz, 0.5 mm/7.5 g (IEC 60068-2-6)
Shock	30 g / 11ms, 3 pos, 3 neg per axis (IEC 60068-2-6, 60068-2-32)
Rated insulation voltage	500 VAC (rms)

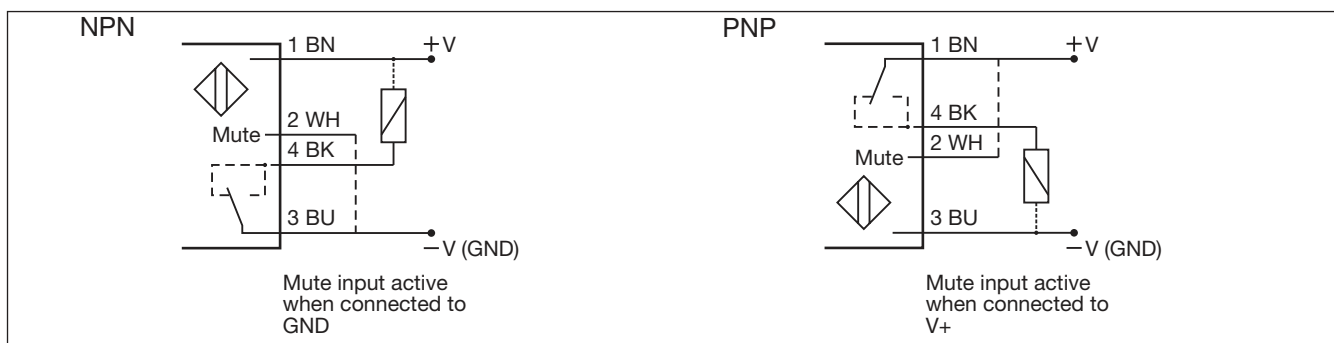
Housing material	
Body	ABS
Front material	PMMA, red
Connection	
Cable	PVC, black, 2 m 4 x 0.14 mm ² , Ø = 3.3 mm M8, 4-pin (CON, 54-series)
Plug	
Weight	With cable: 40 g With plug: 10 g
CE-marking	Yes
Approvals	cULus (UL508)

Operation Diagram

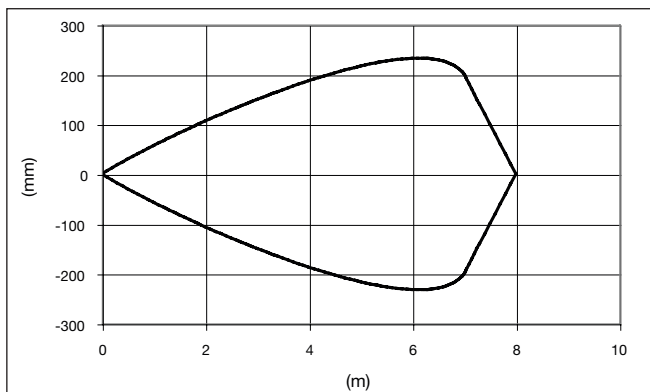
tv = Power ON delay



Wiring Diagrams



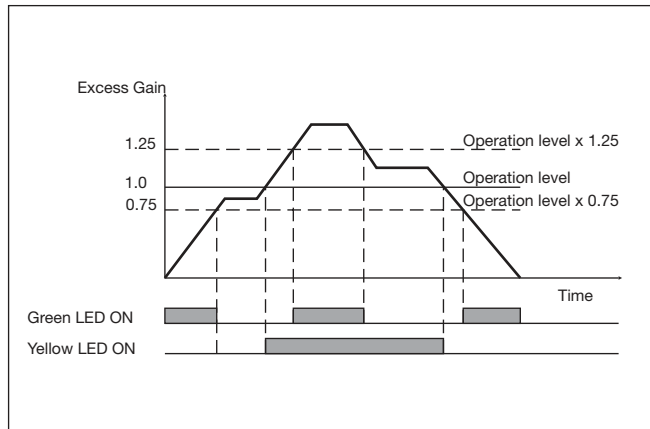
Detection Diagram



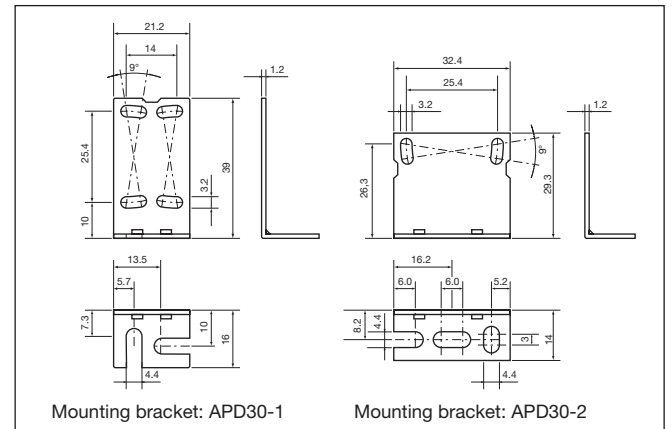
Excess Gain



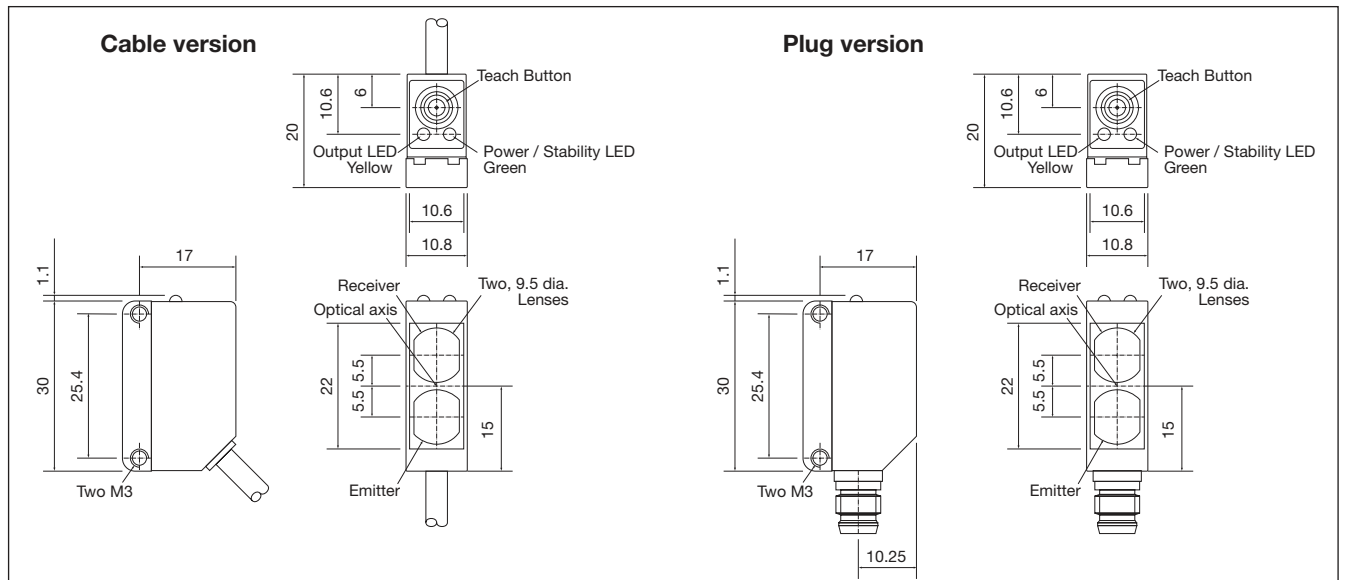
Signal Stability Indication



Accessories



Dimensions



Installation Hints

<p>To avoid interference from inductive voltage / current peaks, separate the proximity switch cables from any other power cables. E.g. Engine, contactor or solenoid cables</p> <p>Incorrect Correct</p> <p>> 100 mm</p>	<p>Relief of the cable strain</p> <p>Incorrect Correct</p> <p>The cable should not be pulled</p>	<p>Protection of the sensing face</p> <p>Incorrect</p> <p>A proximity switch should not serve as mechanical stop</p>	<p>Sensor mounted on a mobile carrier</p> <p>Any repetitive flexing of the cable should be avoided</p>
---	---	--	--

Delivery Contents

- Photoelectric switch: PD 30 CNP 06 ...
- Installation instruction
- Mounting bracket APD30-MB1
- **Packaging:** Cardboard box

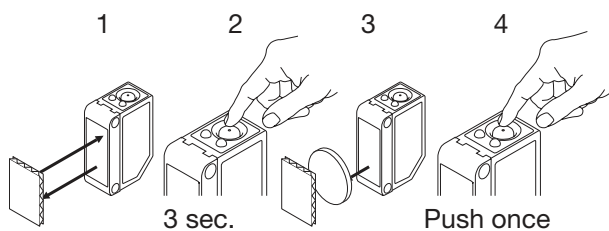
Accessories

- Reflector to be purchased separately
- Mounting bracket APD30-MB2 to be purchased separately

Teach functions

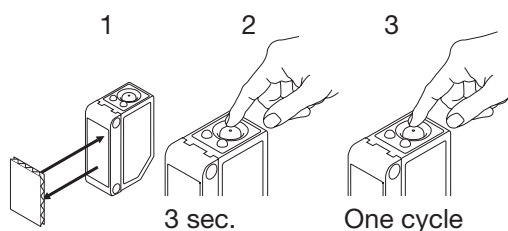
Normal operation, optimized switching point.

1. Line up the sensor with the reflector. Yellow LED and Green LED are ON.
2. Press the button for 3 seconds until both LEDs flashes simultaneously.
(The first switch point is stored)
3. Place the object between the sensor and reflector in the detection zone.
4. Press the button once and the sensor is ready to operate (Green LED ON, Yellow LED ON)
(The second switch point is stored)



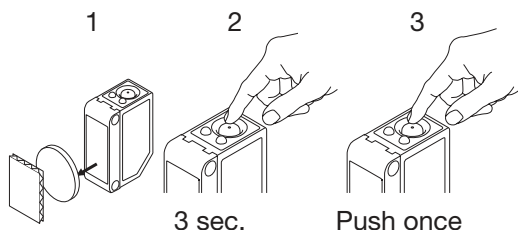
For dynamic setup (running process)

1. Line up the sensor with the reflector. Green LED is ON, status on the yellow LED is not important.
2. Press the button for 3 second until both LEDs flashes simultaneously.
3. Press the button a second time for at least one second, both LED's flashes fast siultainiously and keep the button pressed for at least one process cycle, release the button and the sensor is ready to operate (The second switch point is stored)



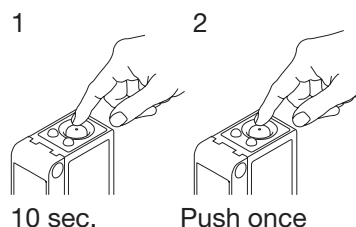
For maximum sensing distance (default setting)

1. Line up the sensor with the reflector, place the object between the sensor and reflector in the detection zone. Yellow LED is OFF and Green LED is ON.
2. Press the button for 3 seconds until both LEDs flashes simultaneously.
(The first switch point is stored)
3. Press the button a second time and the sensor is ready to operate (Green LED ON, Yellow LED ON)
(The second switch point is stored)



For make or break setup (N.O. or N.C.)

1. Press the button for 10 seconds, until the green LEDs flashes.
2. While the green LED flashes, the output is inverted each time the button is pressed. Yellow LED indicates N.O. function selected.
If the button is not pressed within the next 10 seconds, the current output is stored.



For minimum sensing distance

1. Line up the sensor with the reflector. Yellow LED and Green LED are ON.
2. Press the button for 3 seconds until both LEDs flashes simultaneously.
(The first switch point is stored)
3. Press the button a second time and the sensor is ready to operate (Green LED ON, Yellow LED ON)
(The second switch point is stored)

