

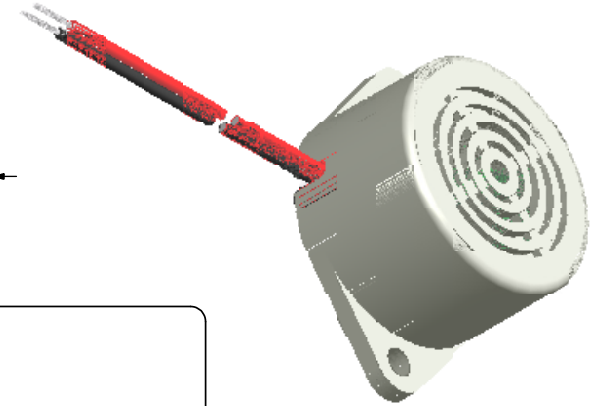
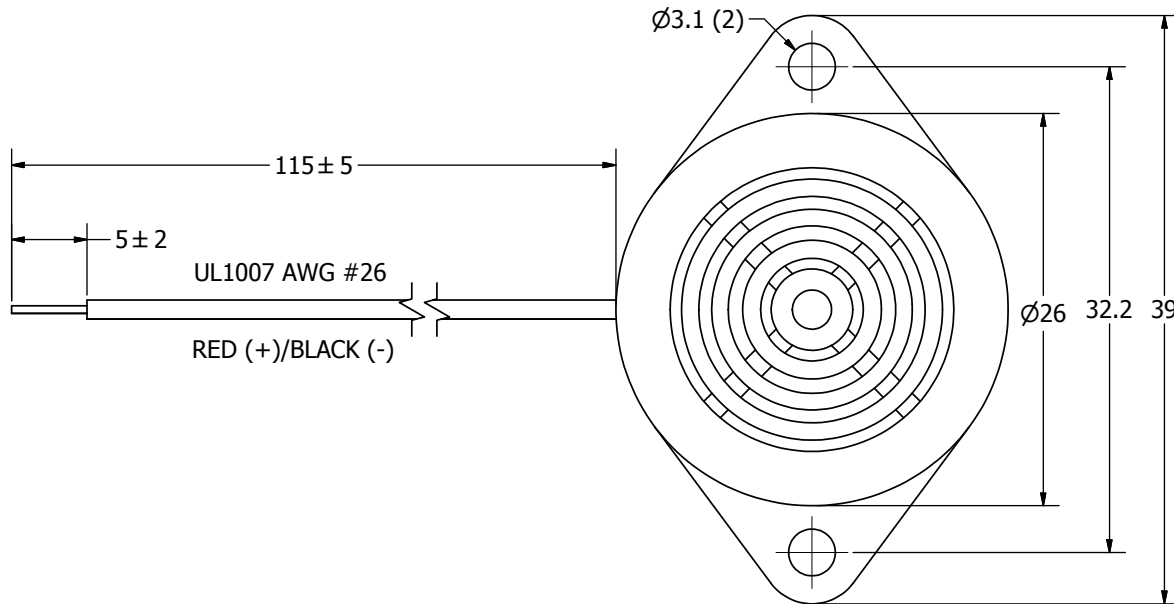
SPECIFICATIONS

| PARAMETERS | VALUES | UNITS |
|-------------------------|------------|--------------|
| RATED VOLTAGE | 12 | Vdc |
| OPERATING VOLTAGE RANGE | 8 ~ 16 | Vdc |
| RATED CURRENT (MAX) | 50 | mA |
| MINIMUM SPL @ 10 CM | 89 | dBA |
| RESONANT FREQUENCY | 400 ± 100 | Hz |
| tone OR PULSE RATE | CONTINUOUS | 0 pulse /sec |
| OPERATING TEMPERATURE | -20 ~ +60 | °C |
| STORAGE TEMPERATURE | -30 ~ +70 | °C |
| HOUSING MATERIAL | ABS | - |
| TERMINAL MATERIAL | LEAD WIRES | - |
| WEIGHT | 11 | grams |

THIS DOCUMENT CONTAINS DATA PROPRIETARY TO PROJECTS UNLIMITED, INC. ANY USE OR REPRODUCTION, IN ANY FORM, WITHOUT PRIOR WRITTEN PERMISSION OF PROJECTS UNLIMITED, INC. IS PROHIBITED.
©2003, Projects Unlimited Inc.

REVISION HISTORY

| LTR | DESCRIPTION | DATE | APPROVED |
|-----|--|-----------|----------|
| - | RELEASED FROM ENGINEERING | 5/22/2006 | |
| A | REVISED TO INVENTOR 3-D DRAWING TEMPLATE | 2/04/2008 | B.R. |



NOTES:

1. ALL DIMENSIONS ARE IN MILLIMETERS.
2. SPECIFICATIONS SUBJECT TO CHANGE OR WITHDRAWAL WITHOUT NOTICE.
3. THIS PART IS RoHS 2002/95/EC COMPLIANT.

| | | | | | | | | | |
|--|---|------------------------|-----------|------------|-----------|-------------|-----------|------------|-------|
| UNLESS OTHERWISE SPECIFIED: DIMENSIONS ARE IN MILLIMETERS, TOLERANCES ARE ± 0.5 AND ANGLES ARE $\pm 3^\circ$. | SIZE | Designed by | Date | Checked by | Date | Approved by | Date | Drawn Date | |
| | A3 | J.D. | 5/25/2006 | E.P. | 5/25/2006 | B.R. | 5/25/2006 | 2/4/2008 | |
| AI-2604-TF-LW115-12V-R.idw |  pui audio <small>a projects unlimited company</small> | AI-2604-TF-LW115-12V-R | | | | | Indicator | Edition | Sheet |
| | | - | 1 / 1 | | | | | | |