



Light grey or white



KFM LED ESD



## Description

KFM LED has a heavy-duty, all-metal construction with a sleek design, adjustable arm and excellent light output making it suitable for a variety of industrial applications.

### Excellent optics

A 5" diameter optical-quality glass lens combined with powerful LED lightsource, makes KFM LED one of the best multi-purpose heavy-duty round lens magnifier on the market today. The quality and exact positioning of the LEDs allows for virtually shadow-free magnification and excellent color rendering.

### Maximum flexibility and precision

No knobs to tighten, nothing to adjust. A flexible, self-balancing shade and hands-free neck design allow the lamp head to be secured in any position. The spring-balanced arm provides maximum vertical and horizontal movement, and will always stay in the right position without drifting.

KFM LED is supplied with a 3- (1.78X) or 5-diopter (2.25X) 5" diameter optical-quality glass lens. A cloth shade cover is provided to protect the lens from unwanted dust and debris. Colors: Black, Light grey, and White.

### LED: Lightsource of the future

KFM LED produces nearly 75% greater light output than traditional KFM models. KFM LED is equipped with LEDs arranged across two semi-circular modules. This design allows for virtually shadow-free magnification and excellent color rendering. The modules consume a total of 11W of energy, are infinitely dimmable, and include a 9/4 hour automatic shut-off functionality.

### About magnification

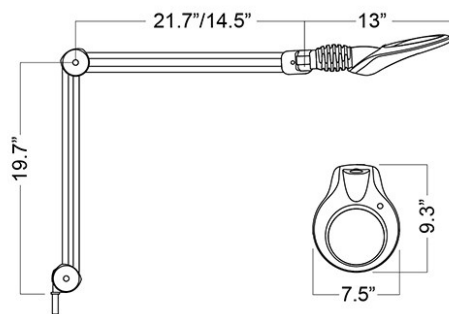
Follow this link to read more about the principles of magnification, and how a Luxo magnifier can be a valuable tool for a variety of applications.

- [Follow this link to learn more about Luxo illuminated magnifiers](#)

## Technical description

|                                |   |                                    |   |
|--------------------------------|---|------------------------------------|---|
| <b>Lightsource</b>             | 9W dimmable LED modules arranged across two semi-circular modules. 11W total energy consumed. Infinite dimming 1-100%. 5700 lux at 13" focal length. 900 lumens. CCT: 4000°K. CRI: 80.                    | <b>Power supply</b>                | Supplied with cable and plug.   |
| <b>Body material and color</b> | Heavy-duty internal-spring 45" or 30" parallel, three-pivot K-arm.  | <b>Arm technology and movement</b> | Heavy-duty internal-spring 45" or 30" parallel, three-pivot K-arm.<br><br>An integrated auto shut-off will turn the light off after 9 or 4 hours. |
| <b>Mounting</b>                | Standard with edge clamp or weighted base. Additional mounting options are also available.  |                                    | A handle in the same design is available as an accessory. Color: With, Grey and Black.  |
| <b>Optics</b>                  | 3- (1.75X) or 5-diopter (2.25X), 5" diameter optical-quality glass lenses are standard.<br>For additional magnification, a secondary 4-, 6- or 10-diopter STAYS lens can be attached to the primary lens. |                                    |   |

## Measurement drawings



KFM LED

Energy label

