

Ratings

Voltage: 300 V

Temperature

Static: -40 to 105 °C

Dynamic: -20 to 105 °C

Flammability: VW-1

Water resistant: 75 °C

Oil resistant: 60 °C (jacket)

≥50% elongation and tensile strength after aging

UV resistance: jacket, 720 hours xenon or carbon arc exposure

≥80% tensile strength and elongation after aging

Conductor

Conductor count: 6

Gauge: 24 AWG 0.21 mm²

Material: tinned copper strands

Strand size: Ø 0.08 mm x 41

Resistance at 20 °C: 94.2 Ω /km Max

Insulator

Material: PVC

Color: red, black, white, yellow, blue, green

Diameter: Ø 1.4 ±0.10 mm

Nominal thickness: 0.38 mm

Resistance at 20 °C: 10 MΩ /km Min

Filler

Material: cotton rope

Drain

Stranding: Ø 0.08 mm x 41

Material: tinned copper strands

Shield

Type: aluminum mylar + tinned copper braid

Coverage: 65% min braid, 100% foil

Braid stranding: Ø0.10 mm

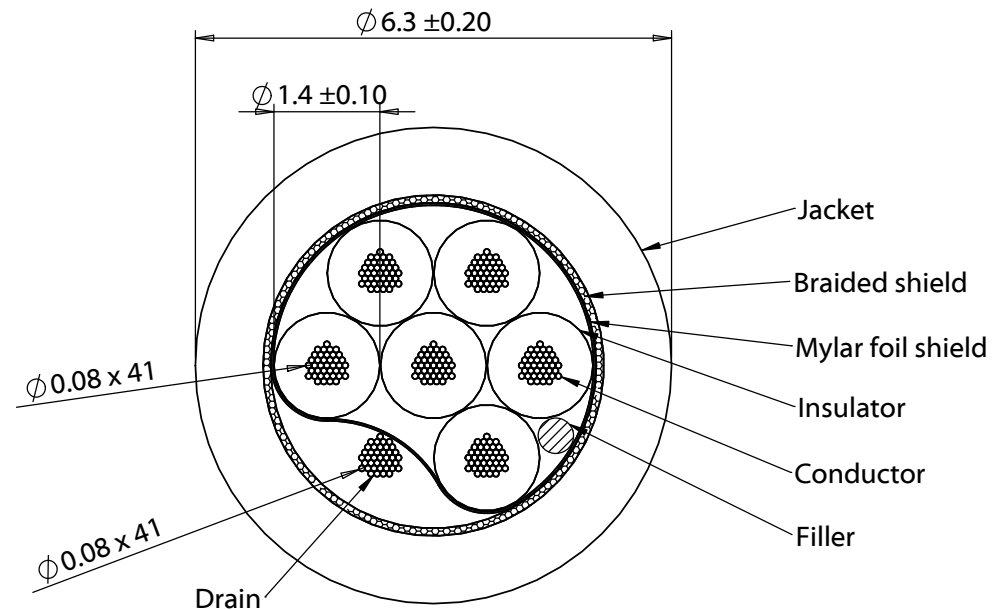
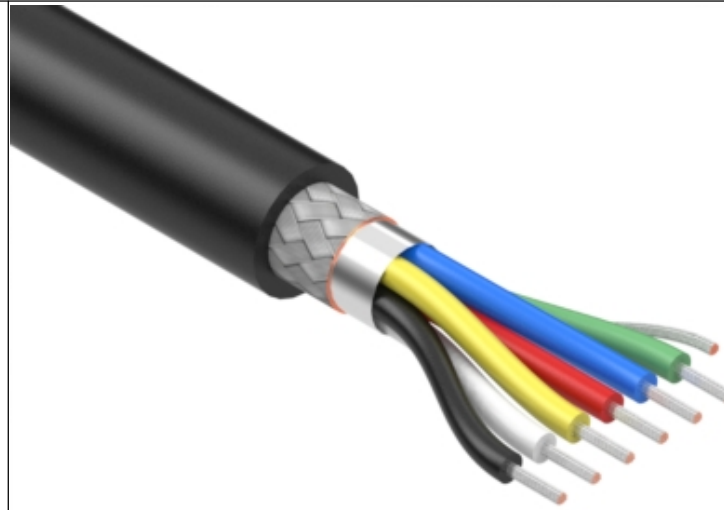
Outer jacket

Material: PVC, 80A

Color: black

Diameter: Ø 6.3 ±0.20 mm

Nominal thickness: 0.80 mm

Wire marking: E339579 UL AWM STYLE 20387 24 AWG 105°C 300V VW-1 60°C OIL RESISTANT UV RESISTANT TENSILITY**Use:** External wiring

Revision:	Date:	Description:	Prepared:	Notes:	<h1>TENSILITY</h1> <p>tel 1.541.323.3228 800 877.670.7118 fax 1.541.323.4202 web tensility.com</p>				
A	8/28/2020	Initial release	JC <small>Digitally signed by JC Date: 2020.08.28 13:45:58 -0700'</small>	RoHS compliant					
			Verified:	Function test: no open, no short circuit, no intermittent	<table border="1"> <tr> <td>Size:</td> <td>Part number:</td> </tr> <tr> <td>A</td> <td>30-01595</td> </tr> </table>	Size:	Part number:	A	30-01595
Size:	Part number:								
A	30-01595								
			Dimensions are in millimeters. Tolerances: X: ± 0.5 mm X.X: ± 0.3 mm X.XX: ± 0.05 mm	Description: Wire, 6C TS, 24 AWG, UL20387, 300V, 105C, 60C oil, UV, 6.3 mm, shielded, VW-1, PVC, 80A, black	<table border="1"> <tr> <td>Scale:</td> <td>10:1</td> <td></td> <td>Sheet 1 of 1</td> </tr> </table>	Scale:	10:1		Sheet 1 of 1
Scale:	10:1		Sheet 1 of 1						

5

4

3

2

1