

640714-1 ✓ ACTIVE

MATE-N-LOK | Universal MATE-N-LOK

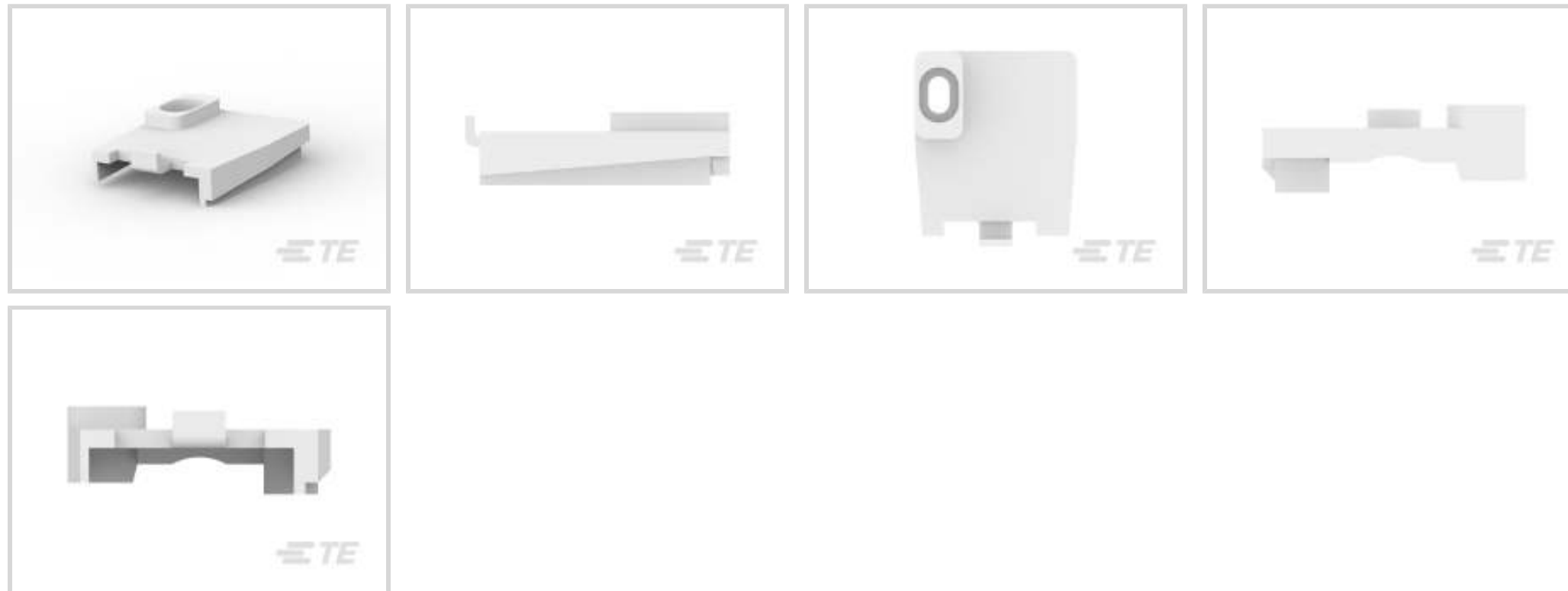
TE Internal #: 640714-1

Strain Relief Cover, Nylon, Natural, 3 Position, Universal MATE-N-LOK

[View on TE.com >](#)



Connectors > Connector Accessories > Connector Strain Relief



Strain Relief Accessory Type: **Strain Relief Cover**

Primary Product Material: **Nylon**

Primary Product Color: **Natural**

Number of Positions: **3**

Packaging Method: **Package**

Features

Product Type Features

Connector Accessory Options	Insert
Strain Relief Accessory Type	Strain Relief Cover

Configuration Features

Number of Positions	3
---------------------	---

Body Features

Primary Product Material	Nylon
Primary Product Color	Natural

Usage Conditions

Operating Temperature Range	-20 – 105 °C[-4 – 221 °F]
-----------------------------	---------------------------

Packaging Features

Packaging Method	Package
Packaging Quantity	1

Other

Connector Accessory Comment	Must use cap housing adapters when
-----------------------------	------------------------------------



attaching strain reliefs to a cap housing. Two adapters required per housing., Strain relief part number represents one half of a strain relief. Two of a part number are required per connector.

Product Compliance

[For compliance documentation, visit the product page on TE.com>](#)

EU RoHS Directive 2011/65/EU	Compliant
EU ELV Directive 2000/53/EC	Compliant
China RoHS 2 Directive MIIT Order No 32, 2016	No Restricted Materials Above Threshold
EU REACH Regulation (EC) No. 1907/2006	Current ECHA Candidate List: JUNE 2023 (235) Candidate List Declared Against: JAN 2023 (233) Does not contain REACH SVHC
Halogen Content	Low Halogen - Br, Cl, F, I < 900 ppm per homogenous material. Also BFR/CFR/PVC Free
Solder Process Capability	Not applicable for solder process capability

Product Compliance Disclaimer


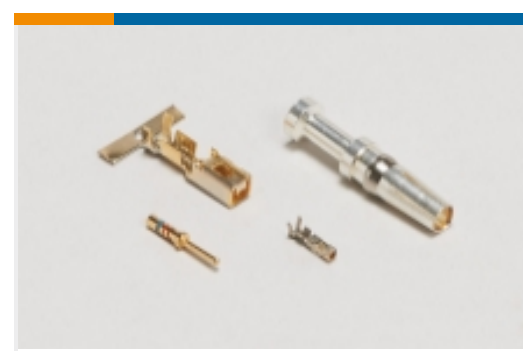


This information is provided based on reasonable inquiry of our suppliers and represents our current actual knowledge based on the information they provided. This information is subject to change. The part numbers that TE has identified as EU RoHS compliant have a maximum concentration of 0.1% by weight in homogenous materials for lead, hexavalent chromium, mercury, PBB, PBDE, DBP, BBP, DEHP, DIBP, and 0.01% for cadmium, or qualify for an exemption to these limits as defined in the Annexes of Directive 2011/65/EU (RoHS2). Finished electrical and electronic equipment products will be CE marked as required by Directive 2011/65/EU. Components may not be CE marked. Additionally, the part numbers that TE has identified as EU ELV compliant have a maximum concentration of 0.1% by weight in homogenous materials for lead, hexavalent chromium, and mercury, and 0.01% for cadmium, or qualify for an exemption to these limits as defined in the Annexes of Directive 2000/53/EC (ELV). Regarding the REACH Regulation, the information TE provides on SVHC in articles for this part number is based on the latest European Chemicals Agency (ECHA) 'Guidance on requirements for substances in articles' posted at this URL: <https://echa.europa.eu/guidance-documents/guidance-on-reach>

Compatible Parts

 <p>TE Part # 3-643228-0 03P UMNL HDR ASSY R/A 94VO LF</p>	 <p>TE Part # 643228-1 03P UMNL HDR ASSY R/A 94VO</p>	 <p>TE Part # 3-350943-0 03P UMNL HDR ASSY R/A 94VO LF</p>	 <p>TE Part # 350790-1 03P UMNL PIN HDR ASSY 94VO</p>
---	--	---	--

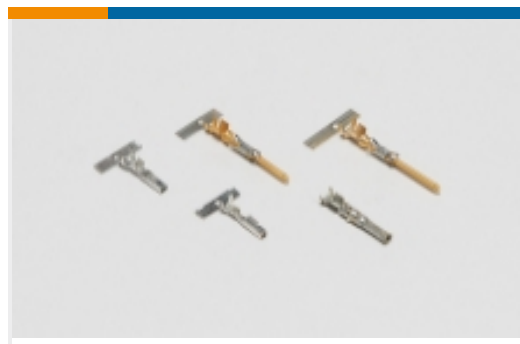
 <p>TE Part # 350789-3 03P UMNL PIN HDR ASSY 94VO</p>	 <p>TE Part # 1-350943-0 03P UMNL HDR ASSY R/A 94VO</p>	 <p>TE Part # 641965-1 03P UMNL PIN HDR ASSY V2 NATL</p>	 <p>TE Part # 350789-1 03P UMNL PIN HDR ASSY 94VO</p>
 <p>TE Part # 350760-4 03P UMNL HDR ASSY PC</p>	 <p>TE Part # 350767-1 03P UMNL CAP HSG V0</p>	 <p>TE Part # 350429-1 03P UMNL PIN HDR ASSY NATL</p>	 <p>TE Part # 641966-1 03P UMNL PIN HDR ASSY 94VO</p>
 <p>TE Part # 350766-1 03P UMNL PLUG HSG</p>	 <p>TE Part # 350825-4 03P UMNL HDR ASSY PC 94VO LF</p>	 <p>TE Part # 350825-1 03P UMNL HDR ASSY PC 94VO</p>	 <p>TE Part # 643414-3 03P UMNL HDR ASSY POL 94VO LF</p>
 <p>TE Part # 643413-1 03P UMNL HDR ASSY SCKT POL</p>	 <p>TE Part # 643414-1 03P UMNL HDR ASSY POL 94VO</p>	 <p>TE Part # 1-480701-0 03P UMNL CAP HSG NATL</p>	 <p>TE Part # 1-480700-0 03P UMNL PLUG HSG NATL</p>

Also in the Series | **Universal MATE-N-LOK**

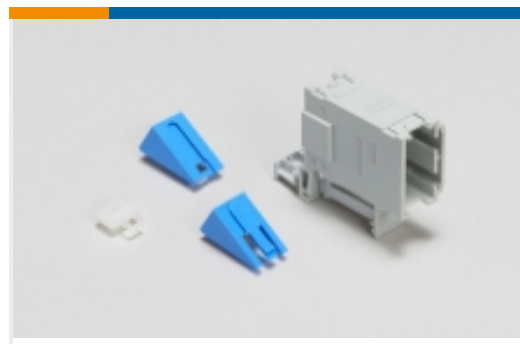
 <p>Circular Power Connectors(2)</p>	 <p>Connector Contacts(2)</p>	 <p>Connector Seals & Cavity Plugs(27)</p>	 <p>Connector Strain Relief(34)</p>
---	---	---	--



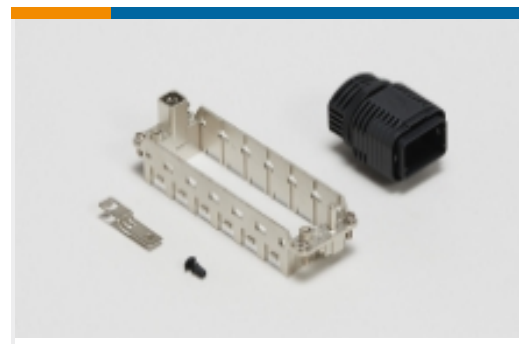
Insertion & Extraction Tools(4)



Power Contacts(209)



Rectangular Connector Adapters(7)



Rectangular Connector Hardware(1)



Rectangular Connector Housings(1)



Rectangular Connector Keying Plugs(3)



Rectangular Connector Locking(8)



Rectangular Power Connectors(672)

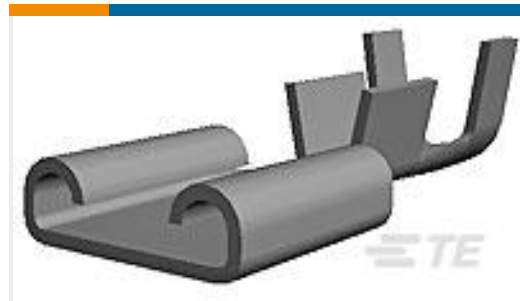
Customers Also Bought



TE Part #52927-1
PIDG SP SPD 22-16COMM22-18MIL4



TE Part #53175-1
SOLIS SP SPD 22-16COM22-18MIL4



TE Part #160389-3
250 FASTON,REC.,24-17 AWG,PNST



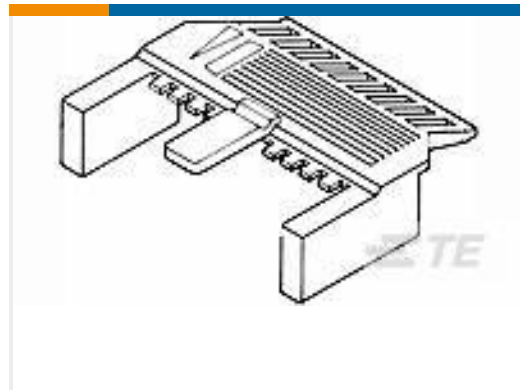
TE Part #32951
PG R 22-16 COMM 22-18 MIL 8



TE Part #1-2221860-1
AMPLIMITE IP67,SZ1, 90, 15 POS,IFS, PLUG



TE Part #643585-2
06P UMNL STR/REL NATL



TE Part #102537-5
14 AMPMODU MT COVER DR .100CL



TE Part #10215333-00
2PT LVL SNR S=7.40 1/2VCR IMP



TE Part #ESP-100-POE
Surge,Eth,100Mb,RJ45 7.5V/70V,10KA Surge

Documents



Product Drawings

03P UMNL STR/REL

English

CAD Files

3D PDF

3D

Customer View Model

[ENG_CVM_CVM_640714-1_W.2d_dxf.zip](#)

English

Customer View Model

[ENG_CVM_CVM_640714-1_W.3d_igs.zip](#)

English

Customer View Model

[ENG_CVM_CVM_640714-1_W.3d_stp.zip](#)

English

Customer View Model

[ENG_CVM_640714-1_C1.3d_igs.zip](#)

English

Customer View Model

[ENG_CVM_640714-1_C1.3d_stp.zip](#)

English

Customer View Model

[ENG_CVM_640714-1_C1.2d_dxf.zip](#)

English

3D PDF

English

By downloading the CAD file I accept and agree to the [Terms and Conditions](#) of use.

Datasheets & Catalog Pages

SOFT_SHELL_PIN_SOCKET_CONNECTORS_STANDARD_DENSITY

English

Product Specifications

Application Specification

English

Product Environmental Compliance

MD_640714-1_12162018237_dmtec

English

MD_640714-1_12162018237_dmtec

English

Instruction Sheets

Instruction Sheet (U.S.)

English

