

MOLEX P/N	AWG	LENGTH	TOLERANCE	JACKET RATING
1111339005	28	2.0M	±0.05M	VW1
1111339006	28	3.0M	±0.05M	VW1
1111339007	26	5.0M	±0.10M	CL2
1111339008	24	7.0M	±0.13M	CL2

- NOTES:
- MATERIAL =
BACKSHELLS - ZINC DIECAST
PULL - NYLON
CABLE JACKET RATING - SEE TABLE
 - LENGTH AND TOLERANCE - SEE TABLE
 - ELECTRICAL PERFORMANCE PER PCI EXPRESS EXTERNAL CABLING SPEC. REV. 2.0 DRAFT 0.5
 - PLUGS MATES TO RECEPTACLE 75586-0010, PCIe EMI GUIDE HOUSING ASSY. 74540-0400, QSFP HOUSING ASSY. 74750-0021
 - THIS PRODUCT MEETS THE RESTRICTION OF HAZARDOUS SUBSTANCES IN ELECTRICAL AND ELECTRONIC EQUIPMENT (RoHS) DIRECTIVE (2002/95/EC).

IPASS™ IS A TRADEMARK OF MOLEX

INITIAL RELEASE EC NO: USY2011-0390 DRW:BBYCZKIEWICZ 2010/09/07 CHKD: APPR:RMAHMOOD 2010/11/30	QUALITY SYMBOLS ▽=0 ▽=0	GENERAL TOLERANCES (UNLESS SPECIFIED) mm INCH 4 PLACES ± --- ± --- 3 PLACES ± --- ± --- 2 PLACES ± 0.13 ± --- 1 PLACE ± 0.25 ± --- ANGULAR ± 1/2°	DIMENSION STYLE MM ONLY DRAWN BY DATE BBYCZKIEWICZ 2010/09/07 CHECKED BY DATE	SCALE 1:1 DESIGN UNITS METRIC THIRD ANGLE PROJECTION
	DRAFT WHERE APPLICABLE MUST REMAIN WITHIN DIMENSIONS		APPROVED BY DATE RMAHMOOD 2010/11/30	TITLE IPASS PCIe GEN2 TO QSFP CABLE ASSEMBLY FOR VIRTENSYS
	MATERIAL NO. SEE TABLE		MOLEX INCORPORATED	DOCUMENT NO. RSD-11133-9005
	SIZE B		SHEET NO. 1 OF 3	

THIS DRAWING CONTAINS INFORMATION THAT IS PROPRIETARY TO MOLEX INCORPORATED AND SHOULD NOT BE USED WITHOUT WRITTEN PERMISSION

10 9 8 7 6 5 4 3 2 1

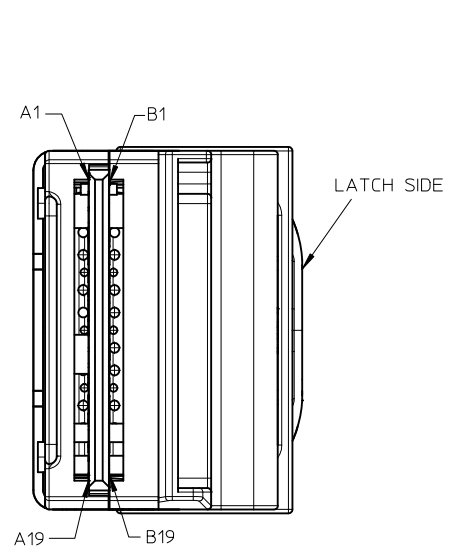
GND	A1	----	B1	GND
PETp0	A2	---▶	B2	PERp0
PETn0	A3	---▶	B3	PERn0
GND	A4	----	B4	GND
PETp1	A5	---▶	B5	PERp1
PETn1	A6	---▶	B6	PERn1
GND	A7	----	B7	GND
PETp2	A8	---▶	B8	PERp2
PETn2	A9	---▶	B9	PERn2
GND	A10	----	B10	GND
PETp3	A11	---▶	B11	PERp3
PETn3	A12	---▶	B12	PERn3
GND	A13	----	B13	GND
CREFCLK+	A14	----	A14	CREFCLK+
CREFCLK-	A15	----	A15	CREFCLK-
GND	A16	----	A16	GND
SB_RTN	A17	====	A17	SB_RTN
CPRSNT#	A18	====	A18	CPRSNT#
CPWRON	A19	====	A19	CPWRON
GND	B1	----	A1	GND
PERp0	B2	◀---	A2	PETp0
PERn0	B3	◀---	A3	PETn0
GND	B4	----	A4	GND
PERp1	B5	◀---	A5	PETp1
PERn1	B6	◀---	A6	PETn1
GND	B7	----	A7	GND
PERp2	B8	◀---	A8	PETp2
PERn2	B9	◀---	A9	PETn2
GND	B10	----	A10	GND
PERp3	B11	◀---	A11	PETp3
PERn3	B12	◀---	A12	PETn3
GND	B13	----	A13	GND
NC	B14		B14	NC
NC	B15		B15	NC
NC	B16		B16	NC
NC	B17		B17	NC
CWAKE#	B18	====	B18	CWAKE#
CPERST#	B19	====	B19	CPERST#

WIRE TYPE
 ----- PAIR GROUND
 -----> SIGNAL PAIR
 - - - - - NORMAL WIRE

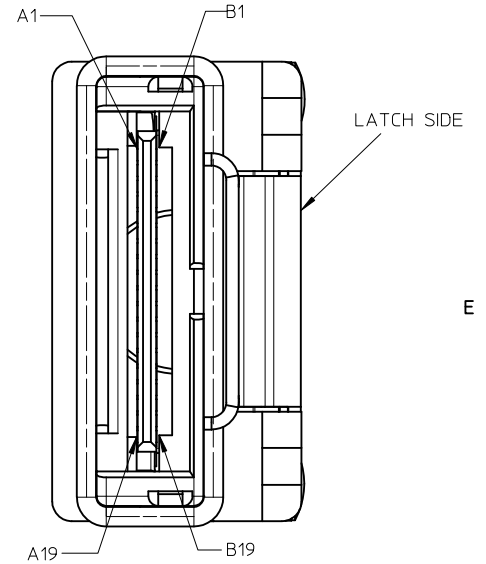
BREAK IN SEQUENCE

BREAK IN SEQUENCE

BREAK IN SEQUENCE



P1
QSFP CONNECTOR

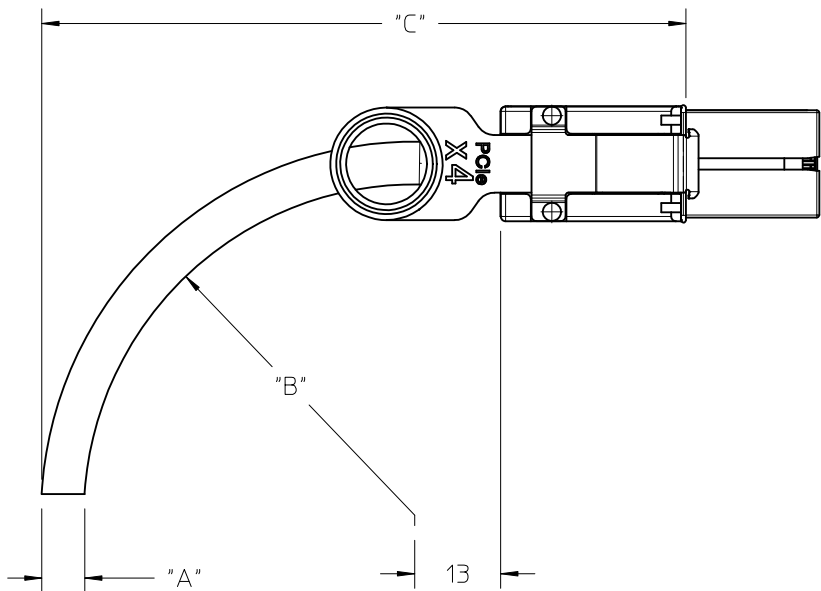


P2
PCIe CONNECTOR

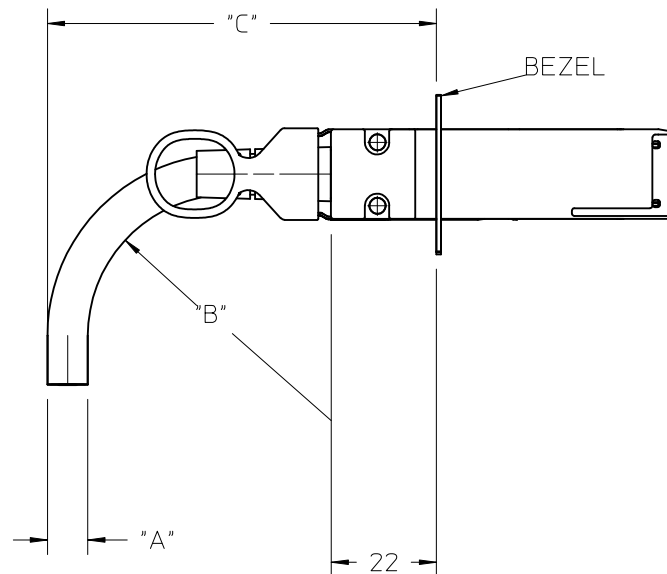
INITIAL RELEASE EC NO: USY2011-0390 DRW:BBYCZKIEWICZ2010/09/07 CHKD: APPR:RMAHMOOD 2010/11/30	QUALITY SYMBOLS ▼=0 ▽=0	GENERAL TOLERANCES (UNLESS SPECIFIED) mm INCH 4 PLACES ± --- ± --- 3 PLACES ± --- ± --- 2 PLACES ±0.13 ± --- 1 PLACE ±0.25 ± --- ANGULAR ±1/2°	DIMENSION STYLE MM ONLY DRAWN BY DATE BBYCZKIEWICZ 2010/09/07 CHECKED BY DATE	SCALE 4:1 DESIGN UNITS METRIC THIRD ANGLE PROJECTION	TITLE IPASS PCIe GEN2 TO QSFP CABLE ASSEMBLY FOR VIRTENSYS
		DRAFT WHERE APPLICABLE MUST REMAIN WITHIN DIMENSIONS	APPROVED BY DATE RMAHMOOD 2010/11/30	Molex MOLEX INCORPORATED	DOCUMENT NO. RSD-11133-9005
	SIZE B	SEE TABLE	MATERIAL NO.	THIS DRAWING CONTAINS INFORMATION THAT IS PROPRIETARY TO MOLEX INCORPORATED AND SHOULD NOT BE USED WITHOUT WRITTEN PERMISSION	SHEET NO. 2 OF 3
	1	REV DESCRIPTION			

IPASS™ IS A TRADEMARK OF MOLEX

9 8 7 6 5 4 3 2 1



PCIE



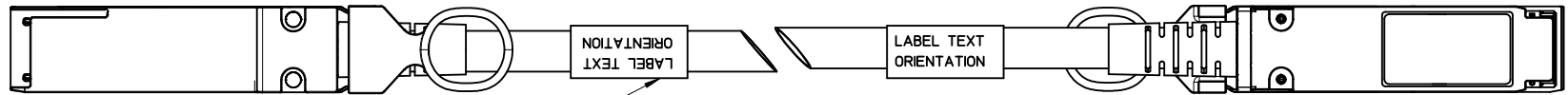
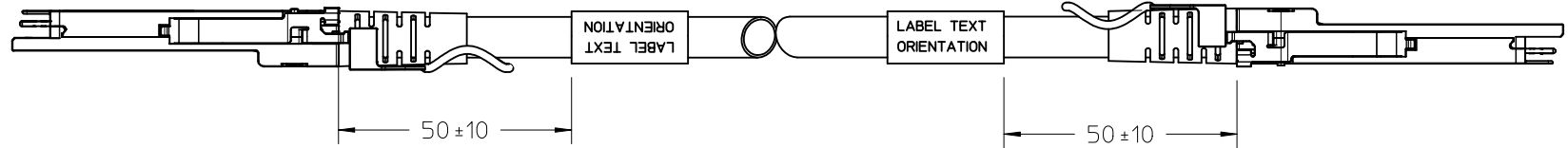
QSFP

CABLE GAUGE	24	26	28
A CABLE DIAMETER	10.54	9.53	8.75
B MINIMUM OUTER RADIUS	42.00	38.00	35.00
C FACEPLATE TO OUTER RADIUS	91.86	87.86	84.86

CABLE GAUGE	24	26	28
A CABLE DIAMETER	10.54	9.53	8.75
B MINIMUM OUTER RADIUS	42.00	38.00	35.00
C FACEPLATE TO OUTER RADIUS	64.00	60.00	57.00

IPASS™ IS A TRADEMARK OF MOLEX

INITIAL RELEASE EC NO: USY2011-0390 DRWN:BBYCZKIEM/CZ2010/09/07 CHKD: APPR:RMAHMOOD 2010/11/30	DESCRIPTION 2010/11/30	QUALITY SYMBOLS	GENERAL TOLERANCES (UNLESS SPECIFIED)	DIMENSION STYLE	SCALE	DESIGN UNITS	THIRD ANGLE PROJECTION	
		▼=0 ▽=0	mm INCH 4 PLACES ± --- ± --- 3 PLACES ± --- ± --- 2 PLACES ± 0.13 ± --- 1 PLACE ± 0.25 ± --- ANGULAR ± 1/2°	MM ONLY	1:1	METRIC	☉ THIRD ANGLE PROJECTION	
		DRAFT WHERE APPLICABLE MUST REMAIN WITHIN DIMENSIONS	DRAWN BY DATE BBYCZKIEM/CZ 2010/09/07 CHECKED BY DATE	APPROVED BY DATE RMAHMOOD 2010/11/30	TITLE IPASS PCIe GEN2 TO QSFP CABLE ASSEMBLY FOR VIRTENSYS		MOLEX MOLEX INCORPORATED	SHEET NO. 3 OF 3
		MATERIAL NO. SEE TABLE	DOCUMENT NO. RSD-11133-9005	THIS DRAWING CONTAINS INFORMATION THAT IS PROPRIETARY TO MOLEX INCORPORATED AND SHOULD NOT BE USED WITHOUT WRITTEN PERMISSION				

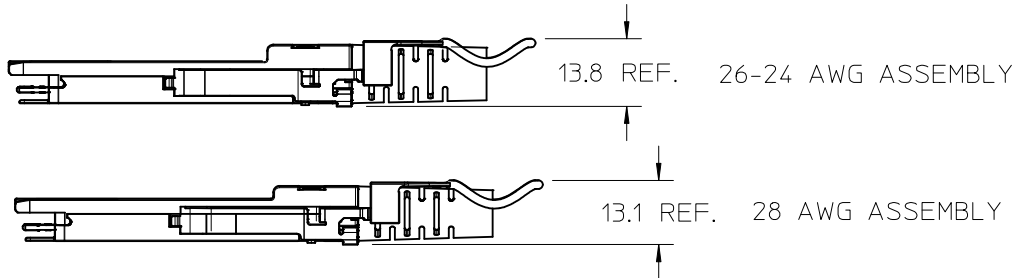
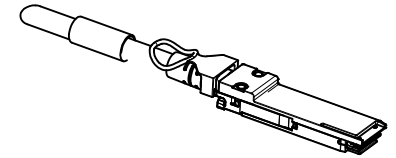


P1

P2

P/N: XXXXXXXXXX
S/N: YDDLLSSSS
X.XX M XX AWG

YDDLLSSSS
Y --- YEAR, THE LAST DIGIT OF YEAR
DDD --- DAY OF THE YEAR
L --- LOCATION
SSSS --- SERIAL NO.



MOLEX P/N	AWG	LENGTH	TOLERANCE	JACKET RATING
1111449001	28	2.0M	±0.05M	VW1
1111449002	28	3.0M	±0.05M	VW1
1111449003	26	5.0M	±0.10M	CL2
1111449004	24	7.0M	±0.13M	CL2

- NOTES:
- MATERIAL=
 - BACKSHELLS - ZINC DIECAST
 - PULL - NYLON
 - CABLE JACKET RATING - SEE TABLE
 - LENGTH AND TOLERANCE - SEE TABLE
 - ELECTRICAL PERFORMANCE PER PCI EXPRESS EXTERNAL CABLING SPEC. REV. 2.0 DRAFT 0.5
 - PLUG MATES TO RECEPTACLE 75586-0010, AND HOUSING ASSY. 74750-0021
 - THIS PRODUCT MEETS THE RESTRICTION OF HAZARDOUS SUBSTANCES IN ELECTRICAL AND ELECTRONIC EQUIPMENT (RoHS) DIRECTIVE (2002/95/EC).

INITIAL RELEASE EC NO: USY2011-0390 DRAWN: BBYCZKIEWICZ 2010/10/26 CHKD: APPR: RMAHMOOD 2010/11/30	QUALITY SYMBOLS	GENERAL TOLERANCES (UNLESS SPECIFIED)	DIMENSION STYLE	SCALE	DESIGN UNITS	THIRD ANGLE PROJECTION	
	▼=0 ▽=0	mm INCH 4 PLACES ± --- ± --- 3 PLACES ± --- ± --- 2 PLACES ± 0.13 ± --- 1 PLACE ± 0.25 ± --- ANGULAR ± 1/2°	MM ONLY	1:1	METRIC	DRAWN BY DATE BBYCZKIEWICZ 2010/10/26 CHECKED BY DATE APPROVED BY DATE RMAHMOOD 2010/11/30	
		DRAFT WHERE APPLICABLE MUST REMAIN WITHIN DIMENSIONS	SEE TABLE	TITLE QSFP TO QSFP PCIe GEN2 CABLE ASSEMBLY FOR VIRTENSYS		MOLEX INCORPORATED DOCUMENT NO. RSD-111144-9001	SHEET NO. 1 OF 3
	1			THIS DRAWING CONTAINS INFORMATION THAT IS PROPRIETARY TO MOLEX INCORPORATED AND SHOULD NOT BE USED WITHOUT WRITTEN PERMISSION			

10 9 8 7 6 5 4 3 2 1

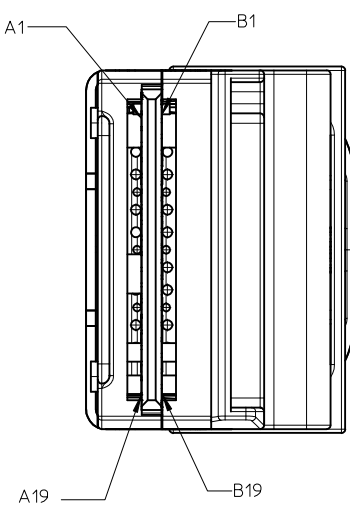
GND	A1	-----	B1	GND
PETp0	A2	----->	B2	PERp0
PETn0	A3	----->	B3	PERn0
GND	A4	-----	B4	GND
PETp1	A5	----->	B5	PERp1
PETn1	A6	----->	B6	PERn1
GND	A7	-----	B7	GND
PETp2	A8	----->	B8	PERp2
PETn2	A9	----->	B9	PERn2
GND	A10	-----	B10	GND
PETp3	A11	----->	B11	PERp3
PETn3	A12	----->	B12	PERn3
GND	A13	-----	B13	GND
CREFLCK+	A14	-----	A14	CREFLCK+
CREFLCK-	A15	-----	A15	CREFLCK-
GND	A16	-----	A16	GND
SB_RTN	A17	=====	A17	SB_RTN
CPRSNT#	A18	=====	A18	CPRSNT#
CPWRON	A19	=====	A19	CPWRON
GND	B1	-----	A1	GND
PERp0	B2	-----<	A2	PETp0
PERn0	B3	-----<	A3	PETn0
GND	B4	-----	A4	GND
PERp1	B5	-----<	A5	PETp1
PERn1	B6	-----<	A6	PETn1
GND	B7	-----	A7	GND
PERp2	B8	-----<	A8	PETp2
PERn2	B9	-----<	A9	PETn2
GND	B10	-----	A10	GND
PERp3	B11	-----<	A11	PETp3
PERn3	B12	-----<	A12	PETn3
GND	B13	-----	A13	GND
NC	B14	-----	B14	NC
NC	B15	-----	B15	NC
NC	B16	-----	B16	NC
NC	B17	-----	B17	NC
CWAKE#	B18	=====	B18	CWAKE#
CPERST#	B19	=====	B19	CPERST#

WIRE TYPE
 ----- PAIR GROUND
 -----> SIGNAL PAIR
 -----< SIGNAL PAIR
 ===== NORMAL WIRE

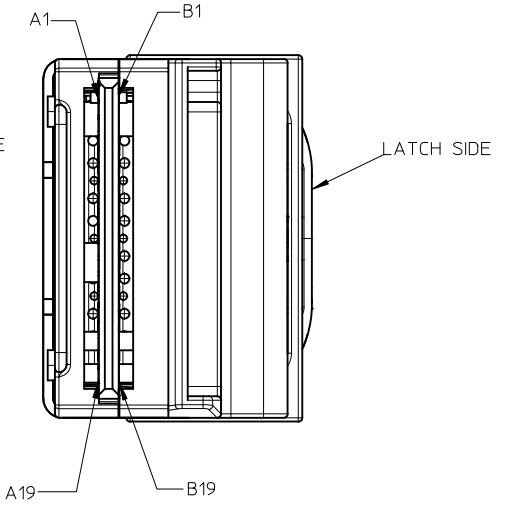
BREAK IN SEQUENCE

BREAK IN SEQUENCE

BREAK IN SEQUENCE



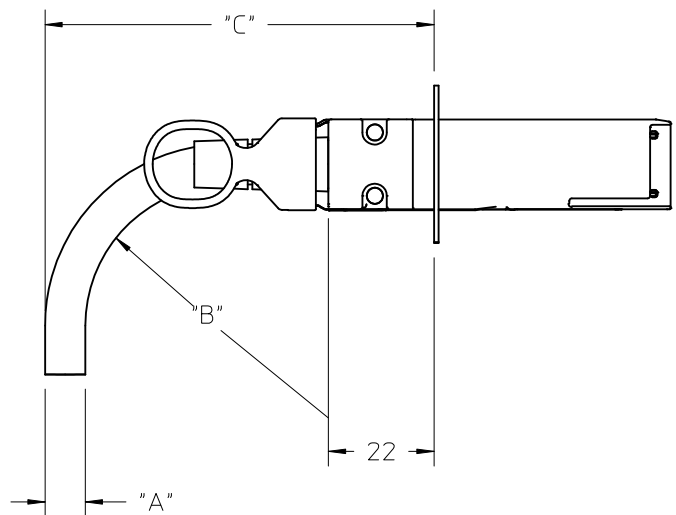
P1
QSFP CONNECTOR



P2
QSFP CONNECTOR

INITIAL RELEASE EC NO: USY2011-0390 DRAWN: BBYCZKIEWICZ 2010/10/26 CHKD: APPR: RMAHMOOD 2010/11/30	QUALITY SYMBOLS ▽=0 ▽=0	GENERAL TOLERANCES (UNLESS SPECIFIED) <table border="1"> <tr><th>mm</th><th>INCH</th></tr> <tr><td>4 PLACES ±---</td><td>±---</td></tr> <tr><td>3 PLACES ±---</td><td>±---</td></tr> <tr><td>2 PLACES ±0.13</td><td>±---</td></tr> <tr><td>1 PLACE ±0.25</td><td>±---</td></tr> </table>	mm	INCH	4 PLACES ±---	±---	3 PLACES ±---	±---	2 PLACES ±0.13	±---	1 PLACE ±0.25	±---	DIMENSION STYLE MM ONLY	SCALE 4:1	DESIGN UNITS METRIC	THIRD ANGLE PROJECTION
	mm	INCH														
	4 PLACES ±---	±---														
	3 PLACES ±---	±---														
2 PLACES ±0.13	±---															
1 PLACE ±0.25	±---															
DRAWN BY BBYCZKIEWICZ	DATE 2010/10/26	CHECKED BY DATE	APPROVED BY RMAHMOOD	DATE 2010/11/30	MOLEX INCORPORATED											
DRAFT WHERE APPLICABLE MUST REMAIN WITHIN DIMENSIONS		MATERIAL NO. SEE TABLE	DOCUMENT NO. RSD-11144-9001	TITLE QSFP TO QSFP PCIE GEN2 CABLE ASSEMBLY FOR VIRTENSYS												
SIZE B	THIS DRAWING CONTAINS INFORMATION THAT IS PROPRIETARY TO MOLEX INCORPORATED AND SHOULD NOT BE USED WITHOUT WRITTEN PERMISSION					SHEET NO. 2 OF 3										

9 8 7 6 5 4 3 2 1



QSFP

CABLE GAUGE	24	26	28
A CABLE DIAMETER	10.54	9.53	8.75
B MINIMUM OUTER RADIUS	42.00	38.00	35.00
C FACEPLATE TO OUTER RADIUS	64.00	60.00	57.00

INITIAL RELEASE
 EC NO: USY2011-0390
 DRWN:BBYCZKIEMICZ2010/10/26
 CHKD:
 APPR:RMAHMOOD 2010/11/30

QUALITY SYMBOLS
 ▼=0
 ▽=0

GENERAL TOLERANCES (UNLESS SPECIFIED)	
	mm INCH
4 PLACES	± --- ± ---
3 PLACES	± --- ± ---
2 PLACES	± 0.13 ± ---
1 PLACE	± 0.25 ± ---
ANGULAR ± 1/2°	

DRAFT WHERE APPLICABLE MUST REMAIN WITHIN DIMENSIONS

DIMENSION STYLE
MM ONLY

DRAWN BY DATE
 BBYCZKIEMICZ 2010/10/26

CHECKED BY DATE

APPROVED BY DATE
 RMAHMOOD 2010/11/30

MATERIAL NO.

SIZE
B

SCALE
1:1

DESIGN UNITS
METRIC

THIRD ANGLE PROJECTION

TITLE
QSFP TO QSFP PCIE GEN2 CABLE ASSEMBLY FOR VIRTENSYS

APPROVED BY DATE
MOLEX INCORPORATED

DOCUMENT NO.
RSD-111144-9001

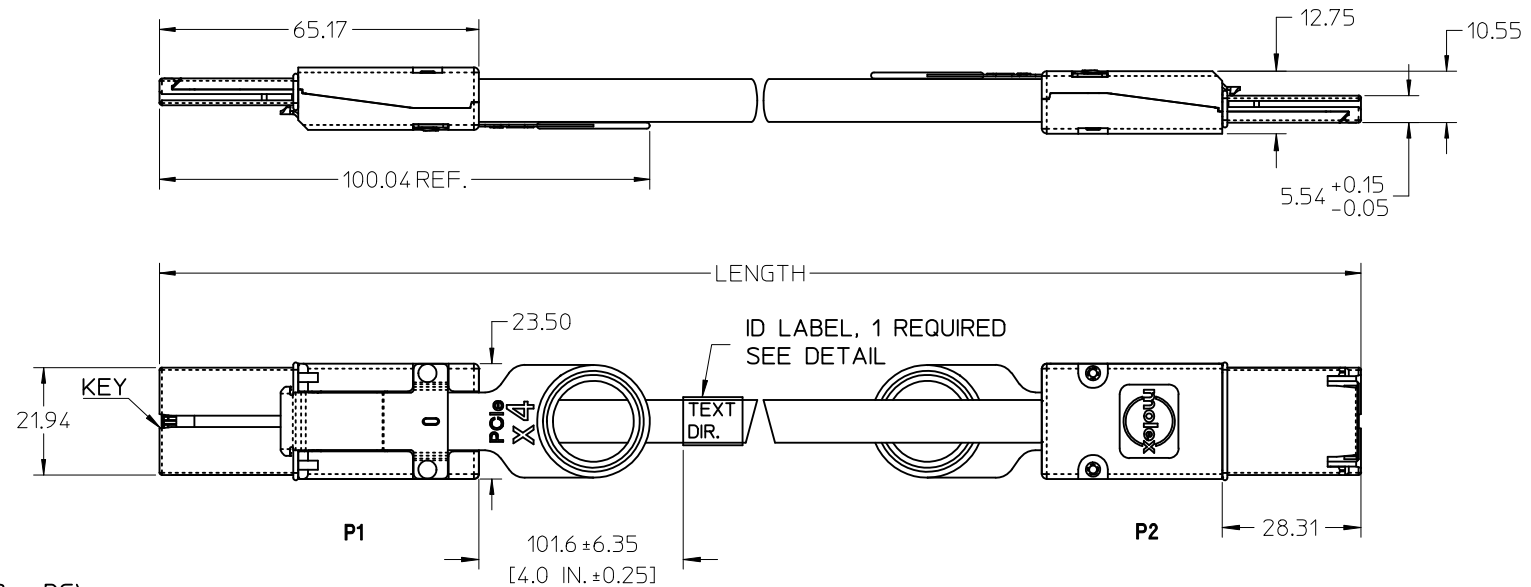
SHEET NO.
3 OF 3

THIS DRAWING CONTAINS INFORMATION THAT IS PROPRIETARY TO MOLEX INCORPORATED AND SHOULD NOT BE USED WITHOUT WRITTEN PERMISSION

19.05 REF.

25.4 REF.

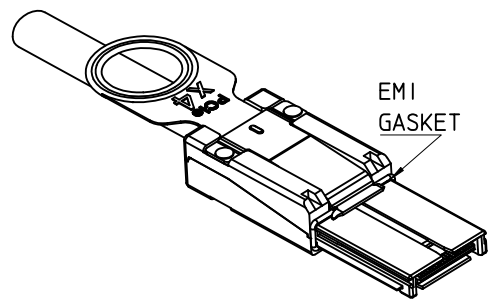
P/N: 111051XXXX
S/N: YDDLSSSS
XM XXAWG



YDDLSSSS
 Y = LAST DIGIT OF THE YEAR
 DDD = DAY OF THE YEAR
 L = LOCATION (1 = HPC, 2 = GUAD, 3 = DG)
 SSSS = SERIAL NUMBER

ID LABEL DETAIL
 SCALE 2:1

MOLEX P/N	LENGTH	GAGE	TOLERANCE	JACKET RATING
1110510400	0.5M	28	0.03M	VW1
1110510401	1.0M	28	0.05M	VW1
1110510411	1.25M	28	0.05M	VW1
1110510402	2.0M	28	0.05M	VW1
1110510403	3.0M	28	0.05M	VW1
1110510404	4.0M	28	0.10M	VW1
1110510405	5.0M	26	0.10M	CL2
1110510406	6.0M	26	0.13M	CL2
1110510407	7.0M	24	0.13M	CL2



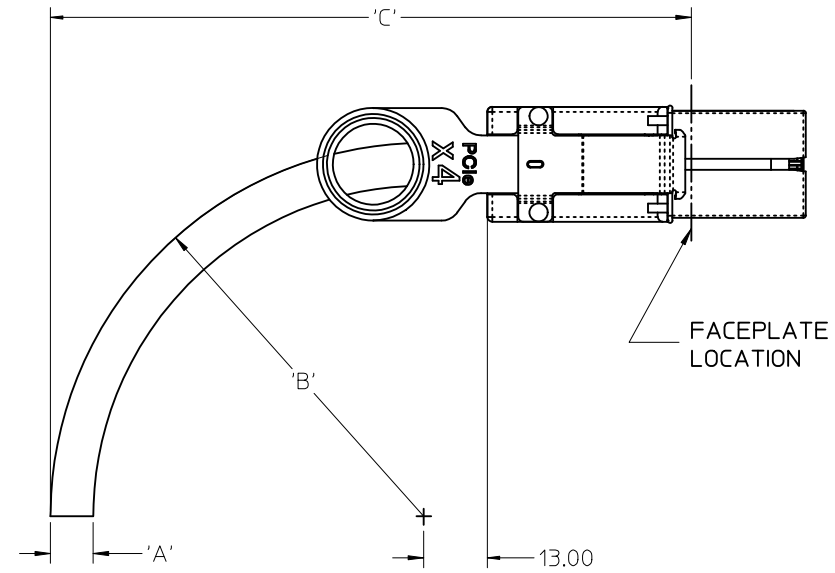
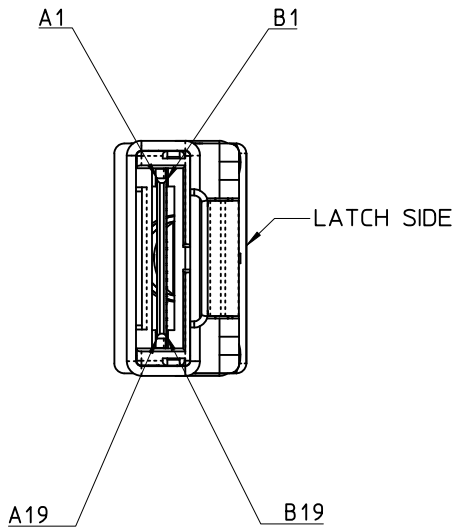
- NOTES:
- MATERIAL
 BACKSHELLS: ZINC DIECAST
 PULL: DUPONT ZYTEL ST801 NYLON 6/6
 LATCH: STAINLESS STEEL
 CABLE JACKET RATING: SEE TABLE
 - LENGTH AND TOLERANCE: SEE TABLE
 - ELECTRICAL PERFORMANCE PER PCI EXPRESS EXTERNAL CABLING SPEC. REV. 2.0 DRAFT 0.9
 - PLUG MATES TO RECEPTACLE 755860010 AND EMI GUIDE HOUSING ASSEMBLY 745400400.
 - LEAD FREE, NO ROHS EXEMPTIONS.

ADDED ID LABEL EC NO: CPG2012-0951 DR: MANKWEBER 2012/03/09 CHKD: KJANOTA APPR: KJANOTA 2012/03/21	QUALITY SYMBOLS ▽=0 ▽=0	GENERAL TOLERANCES (UNLESS SPECIFIED)		DIMENSION STYLE MM ONLY		SCALE 1:1	DESIGN UNITS METRIC	THIRD ANGLE PROJECTION			
		4 PLACES ± --- ± --- 3 PLACES ± --- ± --- 2 PLACES ± 0.13 ± --- 1 PLACE ± 0.25 ± ---	mm INCH	DRAWN BY JERWIN	DATE 2010/01/06	TITLE I-PASS™ PCIE X4 CABLE ASSEMBLY GEN 2					
		ANGULAR ± 1/2°		CHECKED BY BSCHOESTER	DATE 2010/01/06	MOLEX INCORPORATED					
		DRAFT WHERE APPLICABLE MUST REMAIN WITHIN DIMENSIONS		APPROVED BY KJANOTA	DATE 2011/05/03	MATERIAL NO. SEE TABLE		DOCUMENT NO. SD-111051-0400	SHEET NO. 1 OF 2		

THIS DRAWING CONTAINS INFORMATION THAT IS PROPRIETARY TO MOLEX INCORPORATED AND SHOULD NOT BE USED WITHOUT WRITTEN PERMISSION

10 9 8 7 6 5 4 3 2 1

P1			P2	
GND	A1	→	B1	GND
PETp0	A2	→	B2	PERp0
PETn0	A3	→	B3	PERn0
GND	A4	→	B4	GND
PETp1	A5	→	B5	PERp1
PETn1	A6	→	B6	PERn1
GND	A7	→	B7	GND
PETp2	A8	→	B8	PERp2
PETn2	A9	→	B9	PERn2
GND	A10	→	B10	GND
PETp3	A11	→	B11	PERp3
PETn3	A12	→	B12	PERn3
GND	A13	→	B13	GND
CREFCLK+	A14	→	A14	CREFCLK+
CREFCLK-	A15	→	A15	CREFCLK-
GND	A16	→	A16	GND
SB_RTN	A17	→	A17	SB_RTN
CPRSNT#	A18	→	A18	CPRSNT#
CPWRON	A19	→	A19	CPWRON
GND	B1	←	A1	GND
PERp0	B2	←	A2	PETp0
PERn0	B3	←	A3	PETn0
GND	B4	←	A4	GND
PERp1	B5	←	A5	PETp1
PERn1	B6	←	A6	PETn1
GND	B7	←	A7	GND
PERp2	B8	←	A8	PETp2
PERn2	B9	←	A9	PETn2
GND	B10	←	A10	GND
PERp3	B11	←	A11	PETp3
PERn3	B12	←	A12	PETn3
GND	B13	←	A13	GND
NC	B14	←	B14	NC
NC	B15	←	B15	NC
NC	B16	←	B16	NC
NC	B17	←	B17	NC
CWAKE#	B18	←	B18	CWAKE#
CPERST#	B19	←	B19	CPERST#



	CABLE GAUGE	24	26	28
A	CABLE DIAMETER (REF.)	10.40	9.30	8.40
B	MINIMUM OUTER RADIUS	46.90	41.70	37.70
C	MIN. FACEPLATE TO OUTER RADIUS	101.63	96.43	92.43

IPASS™ IS A TRADEMARK OF MOLEX

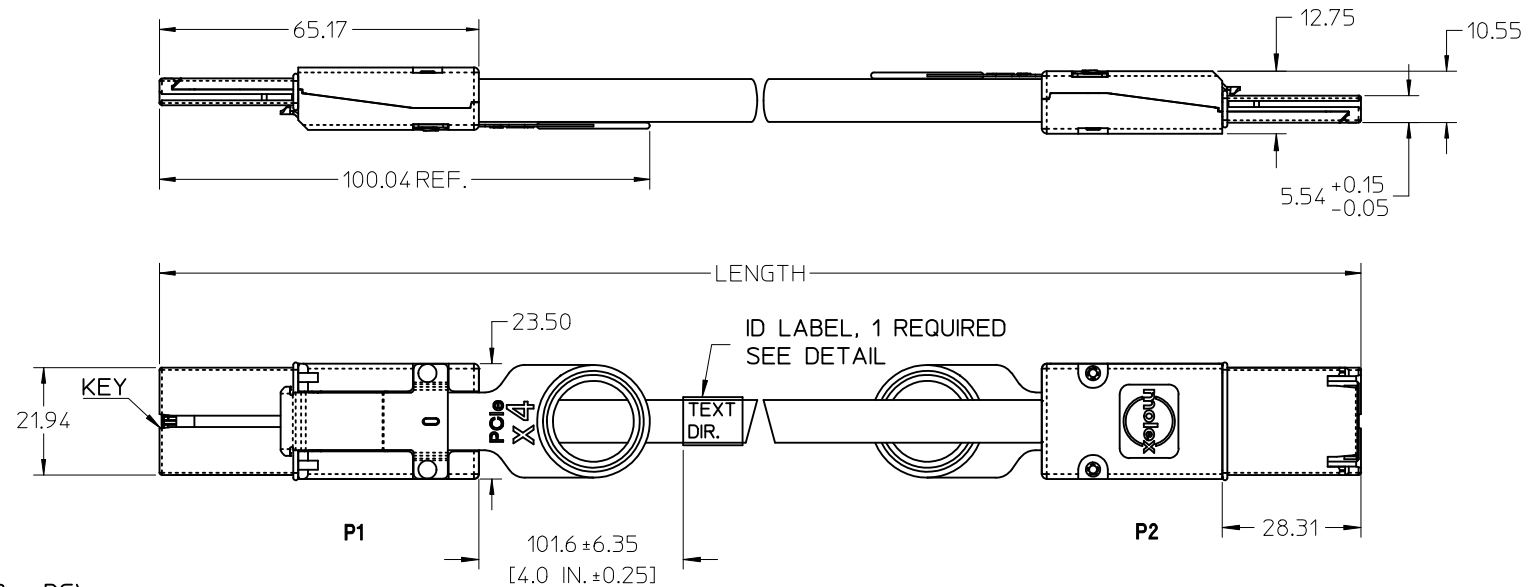
ADDED ID LABEL EC NO: CPG2012-0951 DR: WAKNEBER 2012/03/09 CHKD: APPR: KJANOTA 2012/03/21 B	REV DESCRIPTION 0 1	QUALITY SYMBOLS ▽=0 ▽=0	GENERAL TOLERANCES (UNLESS SPECIFIED) <table border="1"> <thead> <tr> <th></th> <th>mm</th> <th>INCH</th> </tr> </thead> <tbody> <tr> <td>4 PLACES</td> <td>± ---</td> <td>± ---</td> </tr> <tr> <td>3 PLACES</td> <td>± ---</td> <td>± ---</td> </tr> <tr> <td>2 PLACES</td> <td>± 0.13</td> <td>± ---</td> </tr> <tr> <td>1 PLACE</td> <td>± 0.25</td> <td>± ---</td> </tr> <tr> <td colspan="3">ANGULAR ± 1/2°</td> </tr> </tbody> </table>		mm	INCH	4 PLACES	± ---	± ---	3 PLACES	± ---	± ---	2 PLACES	± 0.13	± ---	1 PLACE	± 0.25	± ---	ANGULAR ± 1/2°			DIMENSION STYLE MM ONLY	SCALE 1:1	DESIGN UNITS METRIC	THIRD ANGLE PROJECTION
			mm	INCH																					
		4 PLACES	± ---	± ---																					
		3 PLACES	± ---	± ---																					
2 PLACES	± 0.13	± ---																							
1 PLACE	± 0.25	± ---																							
ANGULAR ± 1/2°																									
DRAWN BY JERWIN	DATE 2010/01/06	TITLE I-PASS PCIE X4 CABLE ASSEMBLY GEN 2																							
CHECKED BY BSCHOESTER	DATE 2010/01/06	molex MOLEX INCORPORATED																							
APPROVED BY KJANOTA	DATE 2011/05/03	MATERIAL NO. SEE TABLE	DOCUMENT NO. SD-111051-0400	SHEET NO. 2 OF 2																					

DRAFT WHERE APPLICABLE MUST REMAIN WITHIN DIMENSIONS

THIS DRAWING CONTAINS INFORMATION THAT IS PROPRIETARY TO MOLEX INCORPORATED AND SHOULD NOT BE USED WITHOUT WRITTEN PERMISSION

9 8 7 6 5 4 3 2 1

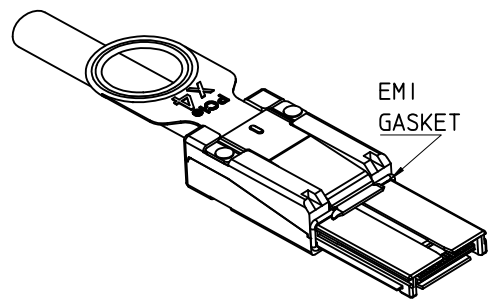
25.4 REF.
19.05 REF.
P/N: 111051XXXX
S/N: YDDDLSSSS
XM XXAWG



YDDDLSSSS
Y = LAST DIGIT OF THE YEAR
DDD = DAY OF THE YEAR
L = LOCATION (1 = HPC, 2= GUAD, 3 = DG)
SSSS = SERIAL NUMBER

ID LABEL DETAIL
SCALE 2:1

MOLEX P/N	LENGTH	GAGE	TOLERANCE	JACKET RATING
1110510400	0.5M	28	0.03M	VW1
1110510401	1.0M	28	0.05M	VW1
1110510411	1.25M	28	0.05M	VW1
1110510402	2.0M	28	0.05M	VW1
1110510403	3.0M	28	0.05M	VW1
1110510404	4.0M	28	0.10M	VW1
1110510405	5.0M	26	0.10M	CL2
1110510406	6.0M	26	0.13M	CL2
1110510407	7.0M	24	0.13M	CL2



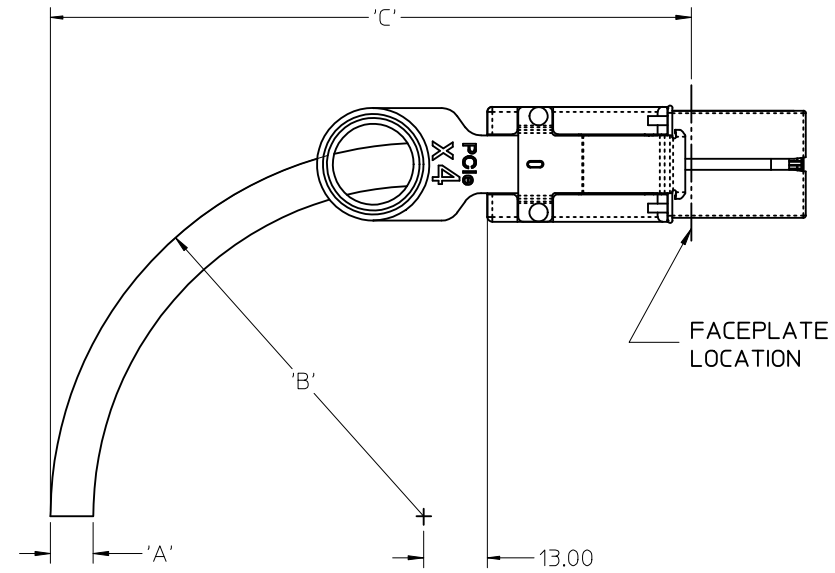
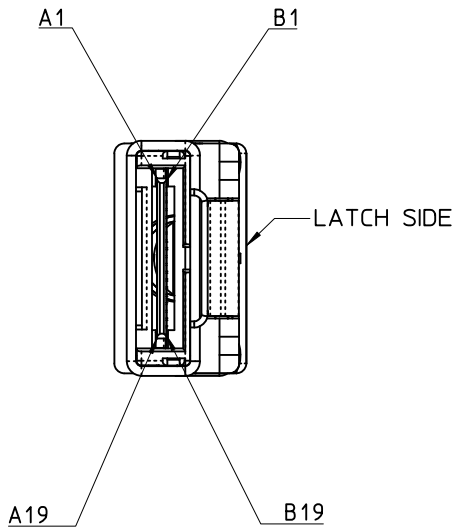
- NOTES:
- MATERIAL
BACKSHELLS: ZINC DIECAST
PULL: DUPONT ZYTEL ST801 NYLON 6/6
LATCH: STAINLESS STEEL
CABLE JACKET RATING: SEE TABLE
 - LENGTH AND TOLERANCE: SEE TABLE
 - ELECTRICAL PERFORMANCE PER PCI EXPRESS EXTERNAL CABLING SPEC. REV. 2.0 DRAFT 0.9
 - PLUG MATES TO RECEPTACLE 755860010 AND EMI GUIDE HOUSING ASSEMBLY 745400400.
 - LEAD FREE, NO ROHS EXEMPTIONS.

ADDED ID LABEL EC NO: CPG2012-0951 DR: MANKWEBER CHKD: KJANOTA APPR: KJANOTA 2012/03/09 2012/03/21 DESCRIPTION REV B	QUALITY SYMBOLS ▽=0 ▽=0	GENERAL TOLERANCES (UNLESS SPECIFIED) mm INCH 4 PLACES ± --- ± --- 3 PLACES ± --- ± --- 2 PLACES ± 0.13 ± --- 1 PLACE ± 0.25 ± --- ANGULAR ± 1/2°	DIMENSION STYLE MM ONLY DRAWN BY DATE JERWIN 2010/01/06 CHECKED BY DATE BSCHOESTER 2010/01/06 APPROVED BY DATE KJANOTA 2011/05/03 MATERIAL NO.	SCALE 1:1 DESIGN UNITS METRIC THIRD ANGLE PROJECTION	TITLE I-PASS PCIE X4 CABLE ASSEMBLY GEN 2 MOLEX INCORPORATED DOCUMENT NO. SD-111051-0400 SHEET NO. 1 OF 2	
	DRAFT WHERE APPLICABLE MUST REMAIN WITHIN DIMENSIONS		SEE TABLE	THIS DRAWING CONTAINS INFORMATION THAT IS PROPRIETARY TO MOLEX INCORPORATED AND SHOULD NOT BE USED WITHOUT WRITTEN PERMISSION		

I-PASS™ IS A TRADEMARK OF MOLEX

10 9 8 7 6 5 4 3 2 1

P1			P2	
GND	A1	→	B1	GND
PETp0	A2	→	B2	PERp0
PETn0	A3	→	B3	PERn0
GND	A4	→	B4	GND
PETp1	A5	→	B5	PERp1
PETn1	A6	→	B6	PERn1
GND	A7	→	B7	GND
PETp2	A8	→	B8	PERp2
PETn2	A9	→	B9	PERn2
GND	A10	→	B10	GND
PETp3	A11	→	B11	PERp3
PETn3	A12	→	B12	PERn3
GND	A13	→	B13	GND
CREFCLK+	A14	→	A14	CREFCLK+
CREFCLK-	A15	→	A15	CREFCLK-
GND	A16	→	A16	GND
SB_RTN	A17	→	A17	SB_RTN
CPRSNT#	A18	→	A18	CPRSNT#
CPWRON	A19	→	A19	CPWRON
GND	B1	←	A1	GND
PERp0	B2	←	A2	PETp0
PERn0	B3	←	A3	PETn0
GND	B4	←	A4	GND
PERp1	B5	←	A5	PETp1
PERn1	B6	←	A6	PETn1
GND	B7	←	A7	GND
PERp2	B8	←	A8	PETp2
PERn2	B9	←	A9	PETn2
GND	B10	←	A10	GND
PERp3	B11	←	A11	PETp3
PERn3	B12	←	A12	PETn3
GND	B13	←	A13	GND
NC	B14	←	B14	NC
NC	B15	←	B15	NC
NC	B16	←	B16	NC
NC	B17	←	B17	NC
CWAKE#	B18	←	B18	CWAKE#
CPERST#	B19	←	B19	CPERST#



	CABLE GAUGE	24	26	28
A	CABLE DIAMETER (REF.)	10.40	9.30	8.40
B	MINIMUM OUTER RADIUS	46.90	41.70	37.70
C	MIN. FACEPLATE TO OUTER RADIUS	101.63	96.43	92.43

IPASS™ IS A TRADEMARK OF MOLEX

ADDED ID LABEL EC NO: CPG2012-0951 DRW: KMEBER 2012/03/09 CHKD: APPR: KJANOTA 2012/03/21 B	REV DESCRIPTION 0 1	QUALITY SYMBOLS ▽=0 ▽=0	GENERAL TOLERANCES (UNLESS SPECIFIED) <table border="1"> <thead> <tr> <th></th> <th>mm</th> <th>INCH</th> </tr> </thead> <tbody> <tr> <td>4 PLACES</td> <td>± ---</td> <td>± ---</td> </tr> <tr> <td>3 PLACES</td> <td>± ---</td> <td>± ---</td> </tr> <tr> <td>2 PLACES</td> <td>± 0.13</td> <td>± ---</td> </tr> <tr> <td>1 PLACE</td> <td>± 0.25</td> <td>± ---</td> </tr> <tr> <td colspan="3">ANGULAR ± 1/2°</td> </tr> </tbody> </table>		mm	INCH	4 PLACES	± ---	± ---	3 PLACES	± ---	± ---	2 PLACES	± 0.13	± ---	1 PLACE	± 0.25	± ---	ANGULAR ± 1/2°			DIMENSION STYLE MM ONLY DRAWN BY DATE JERWIN 2010/01/06 CHECKED BY DATE BSCHOESTER 2010/01/06 APPROVED BY DATE KJANOTA 2011/05/03	SCALE 1:1 DESIGN UNITS METRIC THIRD ANGLE PROJECTION	TITLE I-PASS PCIE X4 CABLE ASSEMBLY GEN 2
			mm	INCH																				
		4 PLACES	± ---	± ---																				
		3 PLACES	± ---	± ---																				
2 PLACES	± 0.13	± ---																						
1 PLACE	± 0.25	± ---																						
ANGULAR ± 1/2°																								
DRAFT WHERE APPLICABLE MUST REMAIN WITHIN DIMENSIONS			MATERIAL NO. SEE TABLE SIZE B	DOCUMENT NO. SD-111051-0400 MOLEX INCORPORATED	SHEET NO. 2 OF 2																			
THIS DRAWING CONTAINS INFORMATION THAT IS PROPRIETARY TO MOLEX INCORPORATED AND SHOULD NOT BE USED WITHOUT WRITTEN PERMISSION																								

9 8 7 6 5 4 3 2 1