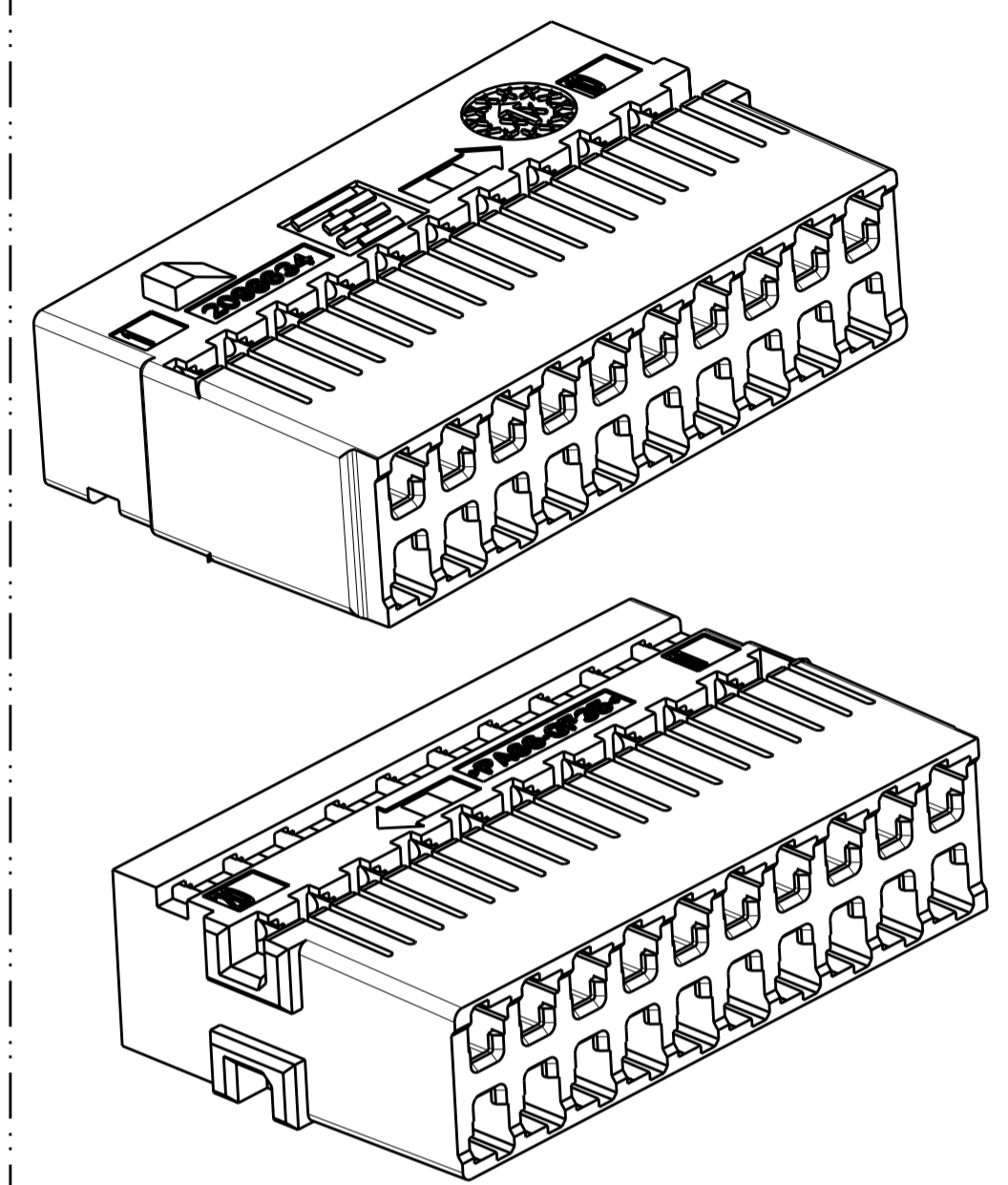
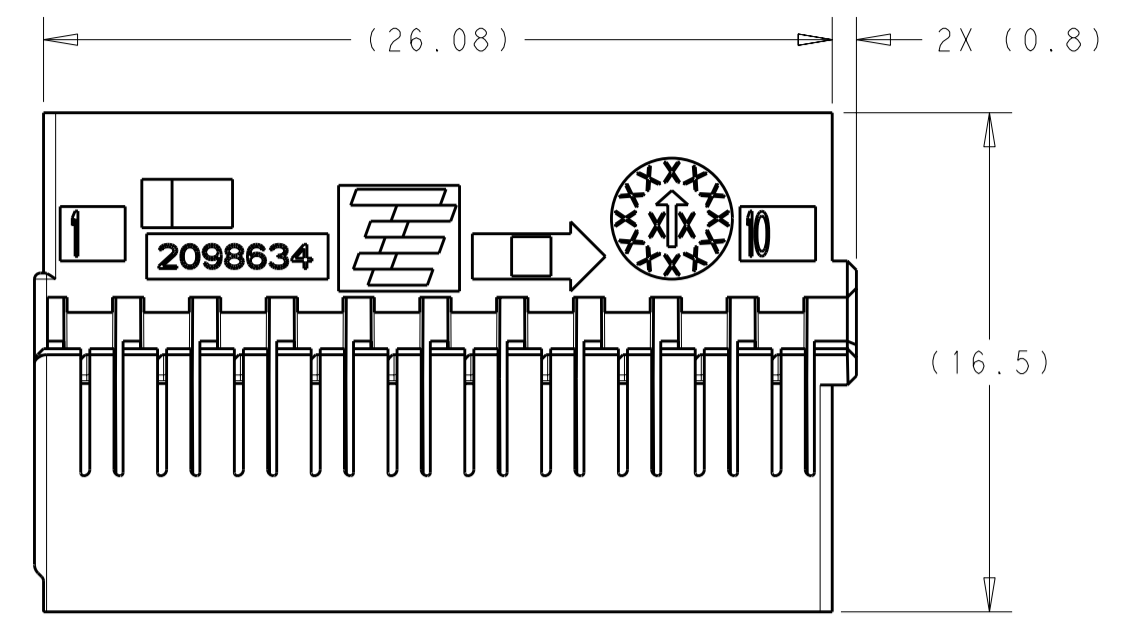
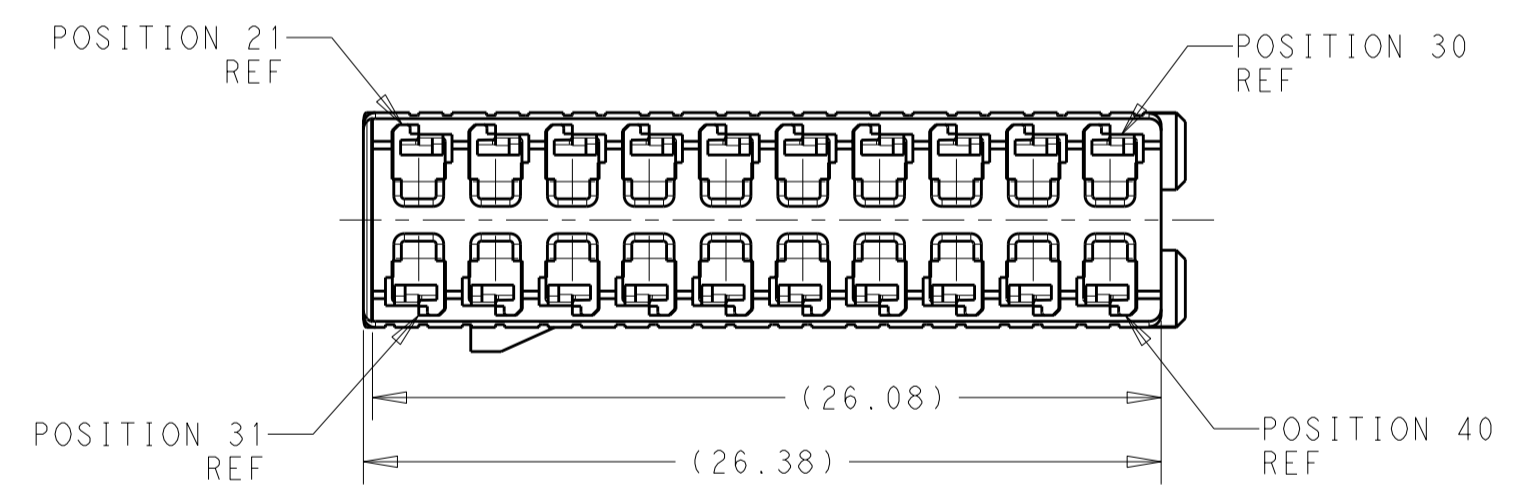
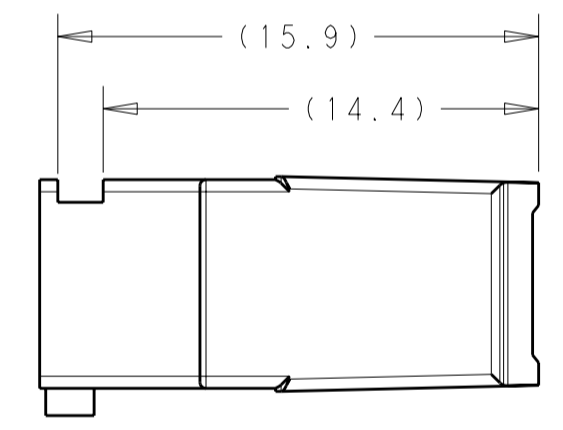
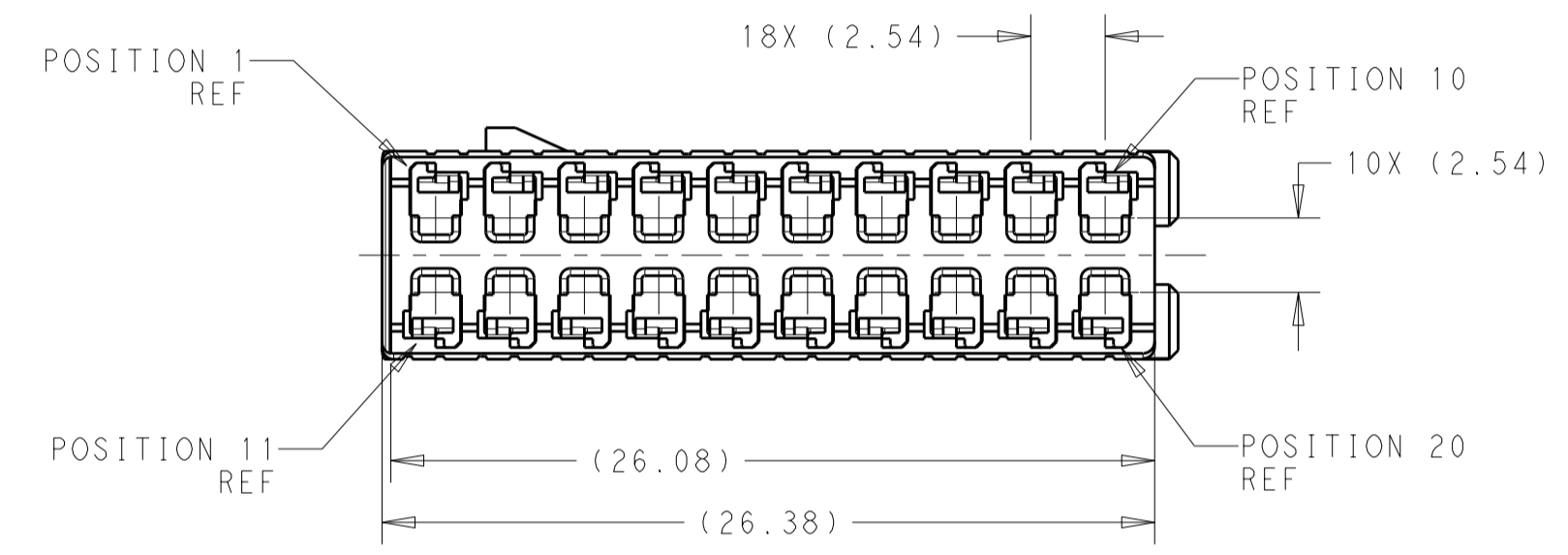
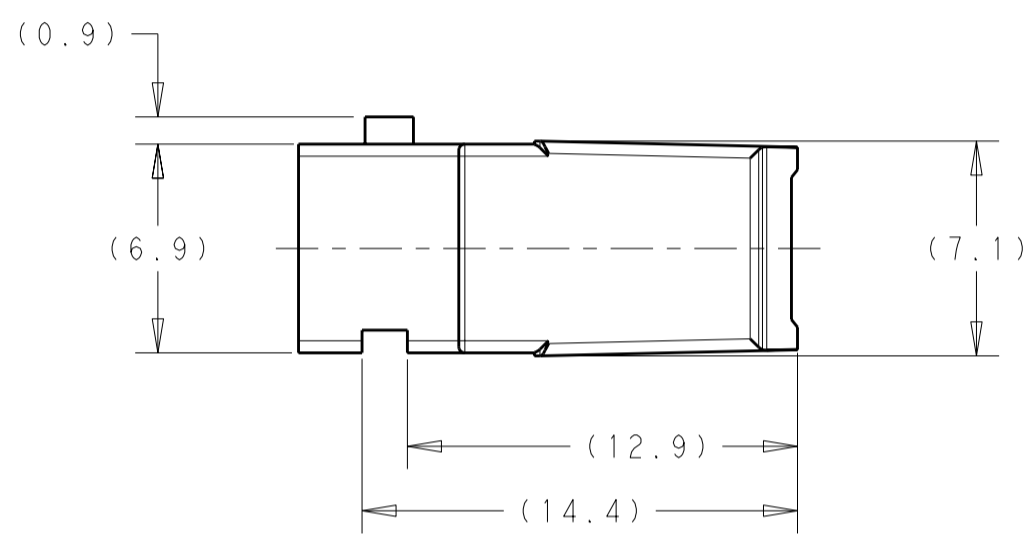


THIS DRAWING IS UNPUBLISHED. RELEASED FOR PUBLICATION 20
 © COPYRIGHT 20 BY - ALL RIGHTS RESERVED.

REVISIONS					
P	LTR	DESCRIPTION	DATE	DWN	APVD
A		RELEASED PER ECO-11-017336	24AUG2011	DD	GM

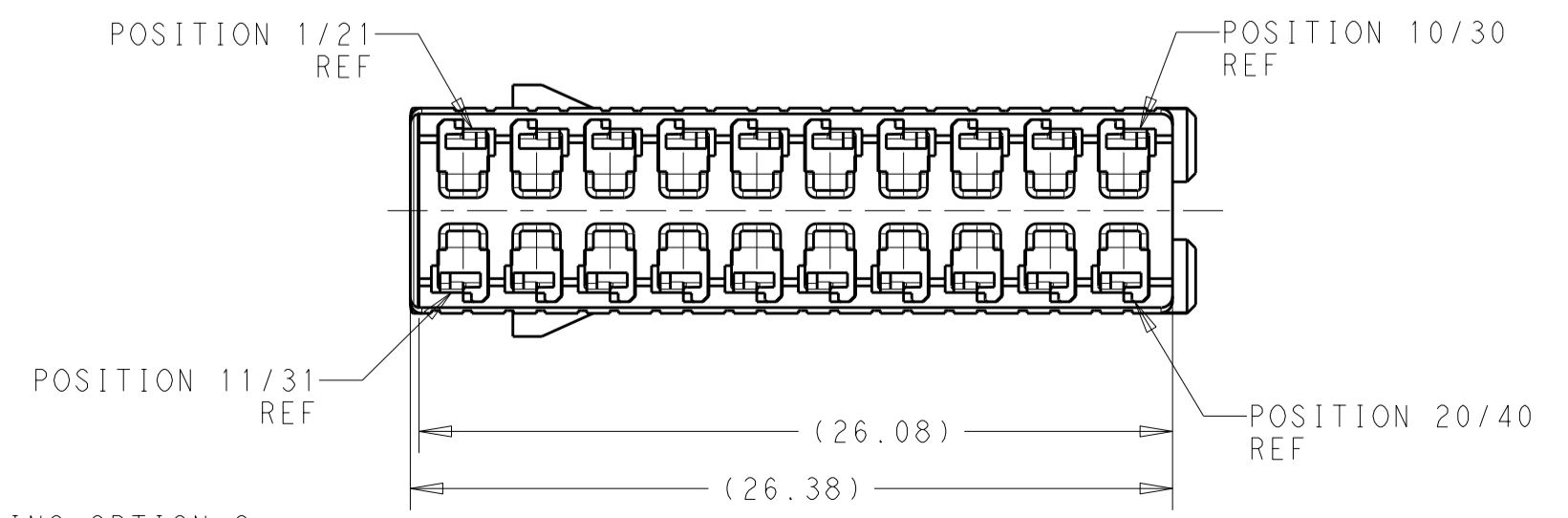
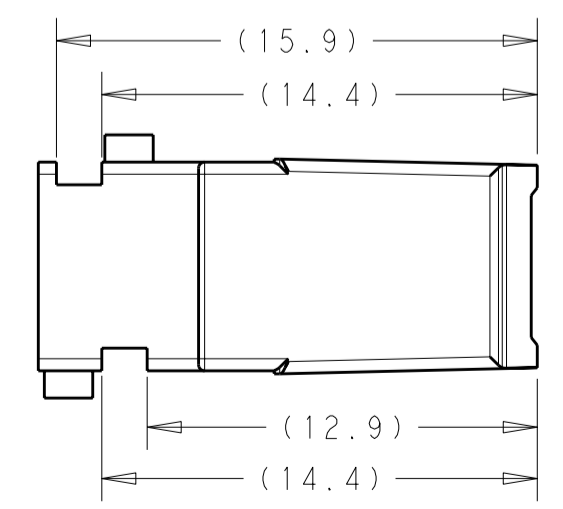


ISOMETRIC VIEWS



KEYING OPTION B
 P/N: 2098634-2
 COLOR: BLACK

- 1. NYLON 6/6, COLOR: BLACK, 35% GLASS FILLED.
- 2. CONTACTS SOLD SEPARATELY. SEE DRAWING NUMBER 1456574 FOR TERMINATION AND REELING OPTIONS.
- 3. NOT TOOLED



KEYING OPTION C
 P/N: 2098634-3
 COLOR: BLACK

KEY "B"	2098634-2
KEY "A"	2098634-1
KEYING OPTION	PART NUMBER

THIS DRAWING IS A CONTROLLED DOCUMENT.		DWN S. VINAY 23MAR2010	TE Connectivity	
DIMENSIONS: mm		CHK GALEN MARTIN 23MAR2010		
TOLERANCES UNLESS OTHERWISE SPECIFIED:		APVD GALEN MARTIN 23MAR2010	NAME CARRIER, 20 POSITION, 0.64mm GENERATION Y LAC CONNECTOR	
0 PLC ±		PRODUCT SPEC -	SIZE A200779 C-2098634	
1 PLC ±		APPLICATION SPEC -	RESTRICTED TO -	
2 PLC ±		WEIGHT -	SCALE 4:1 SHEET 1 OF 1 REV A	
3 PLC ±		CUSTOMER DRAWING		
4 PLC ±				
ANGLES ±1°				
FINISH				