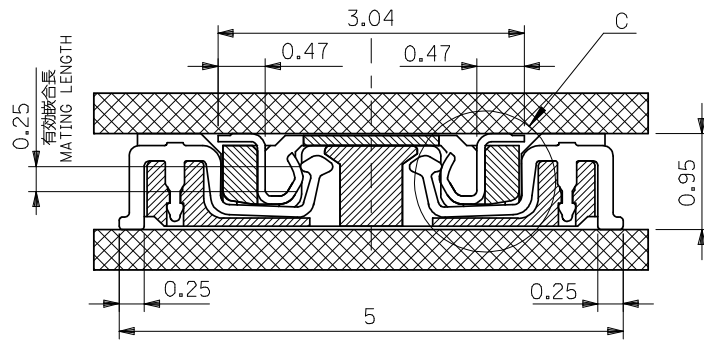


注記
NOTES

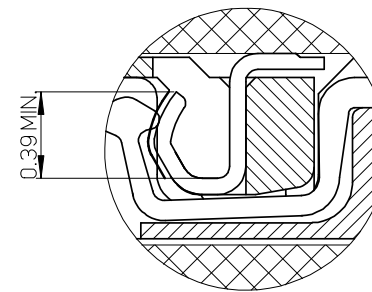
1. 材質 MATERIAL
 パッケージ : 液晶ポリマー-UL94V-0
 HOUSING : LIQUID CRYSTAL POLYMER [LCP]
 UL94V-0
 ターミナル : 銅合金
 TERMINAL : COPPER ALLOY
 ネール : 銅合金
 NAIL : COPPER ALLOY
2. ヌッキ仕様 PLATING
 接点部 : 金メッキ 0.1µm
 CONTACT AREA : GOLD PLATING 0.1µm
 半田付け部 : 金メッキ 0.1µm
 SOLDER TAIL AREA : GOLD PLATING 0.1µm
 下地メッキ : ニッケルメッキ 1.0µm
 UNDER PLATING : NICKEL PLATING 1.0µm
 ネール : 錫メッキ 1.0µmMIN.
 NAIL : TIN PLATING 1.0µmMIN.
 下地メッキ : ニッケルメッキ 1.0µmMIN.
 UNDER PLATING : NICKEL PLATING 1.0µmMIN.
3. テール及びネールの平坦度は0.1以下
 TAIL AND NAIL COPLANARITY : 0.1 MAX.
4. 嵌合相手 : 500024 シリーズ。
 MATE WITH : 500024 SERIES.
5. 本製品は 500027-***29 の鉛フリー品である。
 THIS PRODUCT IS LEAD FREE OF 500027-***29.

17.7	15.6	500027-8041	500027-8049	—#	—#	80
15.7	13.6	500027-7041	500027-7049	—#	—#	70
14.5	12.4	500027-6441	500027-6449	—#	—#	64
13.7	11.6	500027-6041	500027-6049	—#	—#	60
11.7	9.6	500027-5041	500027-5049	—#	—#	50
9.7	7.6	500027-4041	500027-4049	—#	○	40
8.5	6.4	500027-3441	500027-3449	—#	—#	34
7.7	5.6	500027-3041	500027-3049	—#	—#	30
6.5	4.4	500027-2441	500027-2449	○	—#	24
5.7	3.6	500027-2041	500027-2049	○	—#	20
4.9	2.8	500027-1641	500027-1649	○	—#	16
A	B	EMBOSSED TAPE PKG. ORDER No. オーダー番号	MATERIAL No.	LOCK	NOTCH	CIRCUIT

REVISED EC NO: J2009-0301 DRWN: MABEI 2008/08/27 CHKD: THARUYAMA 2008/08/28 APPR: NUKITA 2008/08/28	DESCRIPTION	GENERAL TOLERANCES (UNLESS SPECIFIED)		DIMENSION STYLE MM ONLY		SCALE ---		DESIGN UNITS METRIC		THIRD ANGLE PROJECTION		
		10 UNDER	±0.2	DRAWN BY M. NABEI	DATE '05/01/27	TITLE 0.4MM B/B CONN. H=0.95 PLUG HS'G ASS'Y -LEAD FREE-						
		10 OVER 30 UNDER	±0.25	CHECKED BY K. TOJO	DATE '05/01/27	MOLEX INCORPORATED SD-500027-028						
		30 OVER	±0.3	APPROVED BY N. UKITA	DATE '05/01/27							
REV	ANGULAR ±1 °	DRAFT WHERE APPLICABLE MUST REMAIN WITHIN DIMENSIONS		MATERIAL NO. SEE TABLE		THIS DRAWING CONTAINS INFORMATION THAT IS PROPRIETARY TO MOLEX INCORPORATED AND SHOULD NOT BE USED WITHOUT WRITTEN PERMISSION						

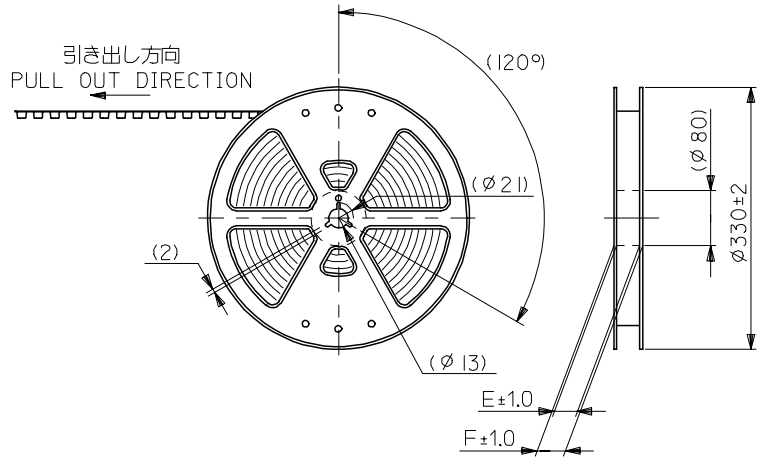


嵌合断面図 (参考)
MATED DRAWING



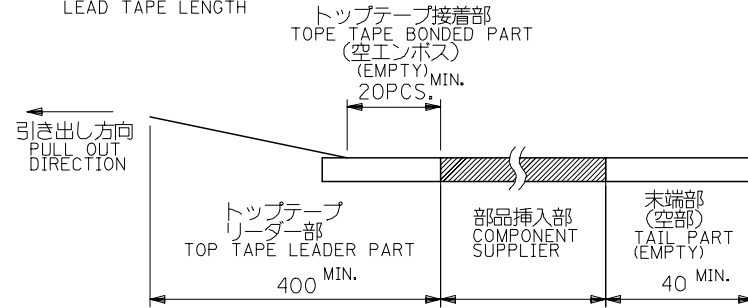
DETAIL C
GOLD PLATED AREA
ON CONTACT

REVISED EC NO.: J2009-0301 DRWN: MABEI 2008/08/27 CHKD: THARUYAMA 2008/08/28 APPR: NUKITA 2008/08/28	GENERAL TOLERANCES (UNLESS SPECIFIED)		DIMENSION STYLE MM ONLY	SCALE ---	500027-**-49	MODEL NO.
	10 UNDER	±0.2	DRAWN BY M. NABEI	DATE '05/01/27	DESIGN UNITS METRIC	THIRD ANGLE PROJECTION
	10 OVER 30 UNDER	±0.25	CHECKED BY K. TOJO	DATE '05/01/27	TITLE 0.4MM B/B CONN. H=0.95 PLUG HS'G ASS'Y -LEAD FREE-	
	30 OVER	±0.3	APPROVED BY N. UKITA	DATE '05/01/27	MOLEX INCORPORATED	
DESCRIPTION	ANGULAR ±1 °	DRAFT WHERE APPLICABLE MUST REMAIN WITHIN DIMENSIONS	MATERIAL NO. SEE SHEET 1	DOCUMENT NO. SD-500027-028	SHEET NO. 2 OF 2	
REV			SIZE A3	THIS DRAWING CONTAINS INFORMATION THAT IS PROPRIETARY TO MOLEX INCORPORATED AND SHOULD NOT BE USED WITHOUT WRITTEN PERMISSION		



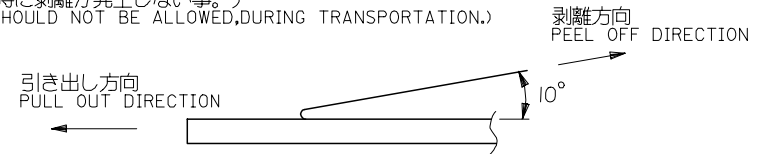
注)
NOTES

- 製品番号 500027-***49 詳細寸法については、製品単体図面を参照下さい。
IN THE PACKAGE PART NUMBER 500027-***49 DETAILED DIMENSIONS, SEE SALES DRAWING FOR CONNECTOR.
- 梱包数量：2000個/リール
NUMBER OF CONNECTORS : 2000 PCS/REEL.
- リードテープ長さ
LEAD TAPE LENGTH



- トップテープの剥離強度：(剥離方向は下図参照)
PEELING OFF FORCE OF TOP TAPE (PELLING DIRECTION AS SHOWN IN FOLLOWING FIGURE.)
0.1~1.3N (10~130gf)

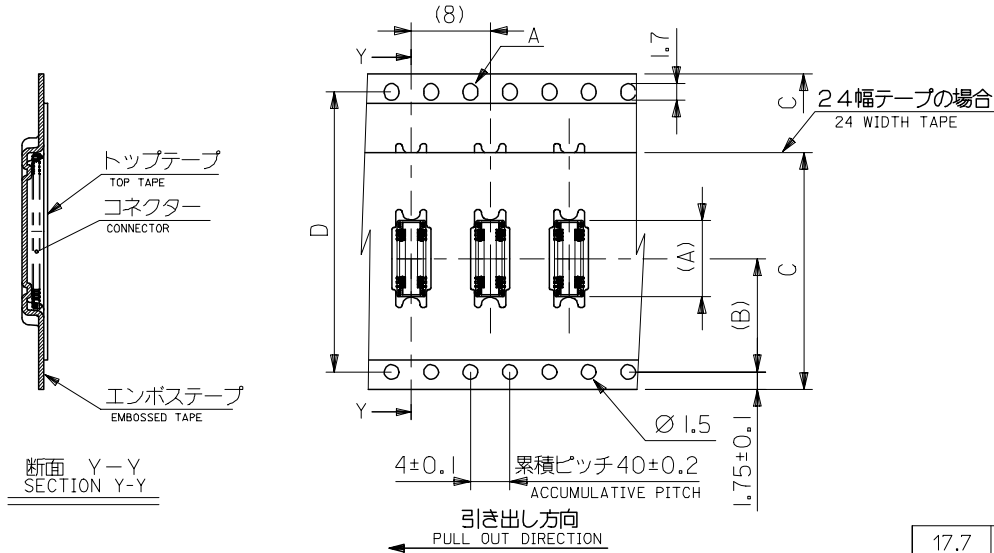
尚、本規格値は、出荷時に適用。
THIS REQUIREMENT SHOULD BE APPLIED AT SHIPMENT.
(但し、輸送時に剥離が発生しない事。)
(PEEL OFF SHOULD NOT BE ALLOWED, DURING TRANSPORTATION.)



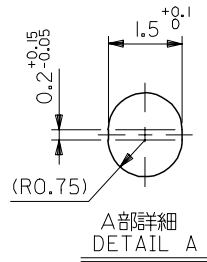
- 材料
MATERIAL
キャリアテープ：ポリプロピレン (PP)
CARRIER TAPE: POLYPROPYLENE (PP)
トップテープ：PET, PE, PEF
TOP TAPE: PET, PE, PEF
リール：ポリスチレン
REEL : POLYSTYRENE

- 本製品は 500027-***21 の鉛フリー品である。
THIS PRODUCT IS LEAD FREE OF 500027-***21.

RELEASED		GENERAL TOLERANCES (UNLESS SPECIFIED)		DIMENSION STYLE		SCALE	500027-***41	MODEL NO.
EC NO: J2005-2190	2005/02/02	10 UNDER ±0.2		MM ONLY		---	DESIGN UNITS	THIRD ANGLE PROJECTION
DRWN: MABEI	2005/02/02	10 OVER 30 UNDER ±0.25		DRAWN BY DATE		METRIC	500027-***49	
CHKD: KTOJO	2005/02/02	30 OVER ±0.3		M. NABEI '05/01/27		TAPING PACKAGE		
APPR: NUKITA	2005/02/02	ANGULAR ±1 °		CHECKED BY DATE		-LEAD FREE-		
REV	DESCRIPTION	DRAFT WHERE APPLICABLE MUST REMAIN WITHIN DIMENSIONS		APPROVED BY DATE		MOLEX MOLEX INCORPORATED		
0				N. UKITA '05/01/27		SD-500027-029		
				MATERIAL NO.		DOCUMENT NO.		SHEET NO.
				SEE CHART		SD-500027-029		1 OF 2
				SIZE		THIS DRAWING CONTAINS INFORMATION THAT IS PROPRIETARY TO MOLEX INCORPORATED AND SHOULD NOT BE USED WITHOUT WRITTEN PERMISSION		
				A3				



断面 Y-Y
SECTION Y-Y



A部詳細
DETAIL A

17.7	14.2	32±0.3	28.4	33.4	37.4	500027-8049	500027-8041	80
15.7	14.2	32±0.3	28.4	33.4	37.4	500027-7049	500027-7041	70
14.5	14.2	32±0.3	28.4	33.4	37.4	500027-6449	500027-6441	64
13.7	14.2	32±0.3	28.4	33.4	37.4	500027-6049	500027-6041	60
11.7	11.5	24±0.3	—#—	25.4	29.4	500027-5049	500027-5041	50
9.7	11.5	24±0.3	—#—	25.4	29.4	500027-4049	500027-4041	40
8.5	11.5	24±0.3	—#—	25.4	29.4	500027-3449	500027-3441	34
7.7	11.5	24±0.3	—#—	25.4	29.4	500027-3049	500027-3041	30
6.5	11.5	24±0.3	—#—	25.4	29.4	500027-2449	500027-2441	24
5.7	11.5	24±0.3	—#—	25.4	29.4	500027-2049	500027-2041	20
4.9	11.5	24±0.3	—#—	25.4	29.4	500027-1649	500027-1641	16
(A)	(B)	C	D	E	F	CONNECTOR	MATERIAL No.	CIRCUIT

500027-***41
MODEL NO.

RELEASED EC NO: J2005-2190 DRAWN: NABEI CHKD: KTOJO APPR: NUKITA 2005/02/02 2005/02/02 2005/02/02	GENERAL TOLERANCES (UNLESS SPECIFIED)		DIMENSION STYLE MM ONLY		SCALE ---	DESIGN UNITS METRIC	THIRD ANGLE PROJECTION	
	10 UNDER	±0.2	DRAWN BY M. NABEI	DATE '05/01/27	TITLE 500027-***49 TAPING PACKAGE -LEAD FREE-			
	10 OVER 30 UNDER	±0.25	CHECKED BY K. TOJO	DATE '05/01/27				
	30 OVER	±0.3	APPROVED BY N. UKITA	DATE '05/01/27	MOLEX INCORPORATED DOCUMENT NO. SD-500027-029 SHEET NO. 2 OF 2			
	ANGULAR	±1 °	MATERIAL NO.	SEE CHART				
0	DRAFT WHERE APPLICABLE MUST REMAIN WITHIN DIMENSIONS		SIZE A3		THIS DRAWING CONTAINS INFORMATION THAT IS PROPRIETARY TO MOLEX INCORPORATED AND SHOULD NOT BE USED WITHOUT WRITTEN PERMISSION			