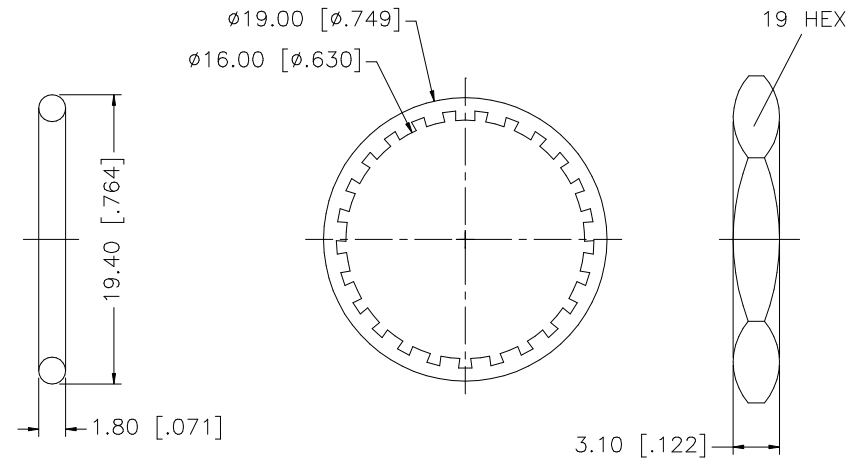
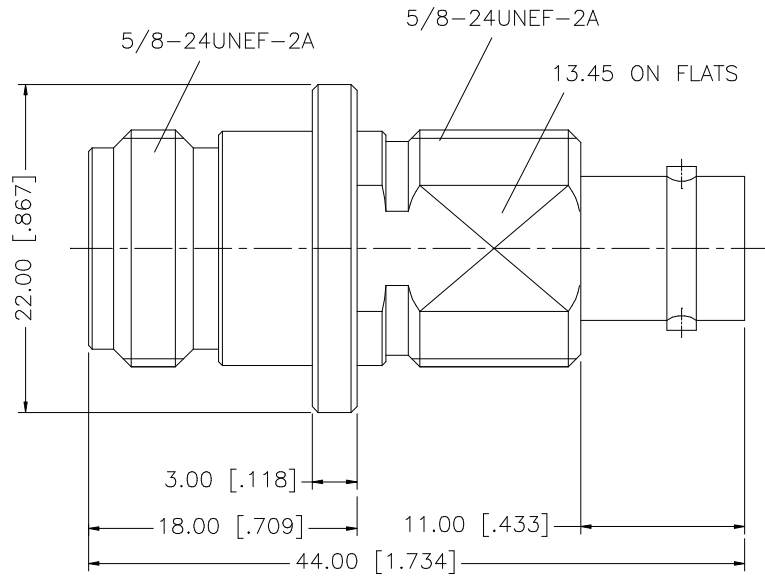
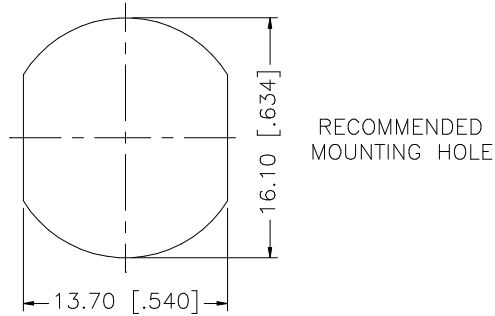


REV.	DATE	DESCRIPTION
NC	12/09/00	INITIAL RELEASE
A	11/30/06	UPDATE DRAWING FORMAT



QTY	DESCRIPTION	MATERIAL	FINISH
1	BODY	BRASS	NICKEL
1	INSULATOR	TEFLON	NATURAL
1	CONTACT PIN	PHOS. BRONZE	GOLD
1	GASKET	SILICONE	RED
1	LOCK WASHER	BRASS	NICKEL
1	HEX NUT	BRASS	NICKEL

UNLESS OTHERWISE SPECIFIED DIMENSIONS ARE IN MILLIMETERS. DIMENSIONS IN [] ARE IN INCHES AND FOR CUSTOMER REFERENCE ONLY.

UNLESS OTHERWISE SPECIFIED TOLERANCES FOR MILLIMETERS ARE:
0.5 - 8mm ± 0.20mm
8 - 30mm ± 0.40mm
30 - 120mm ± 0.50mm

UNLESS OTHERWISE SPECIFIED TOLERANCES FOR INCHES ARE:
.020 - .315 ± ± 0.007"
.315 - 1.180 ± ± 0.015"
1.180 - 4.724 ± ± 0.020"

DO NOT SCALE DRAWING

APPROVALS	DATE
DRAWN G.R.S.	11/30/06
CHECKED	
ISSUED	
SHEET 1 OF 1	
CAD FILE	C:/242/242162.DWG

Amphenol Connex

PART DESCRIPTION
N JACK TO BNC BULKHEAD

PART NO.
242162

DWG. NO.	242162.DWG	REV.	A	SIZE	A	SCALE	NA
----------	------------	------	---	------	---	-------	----