

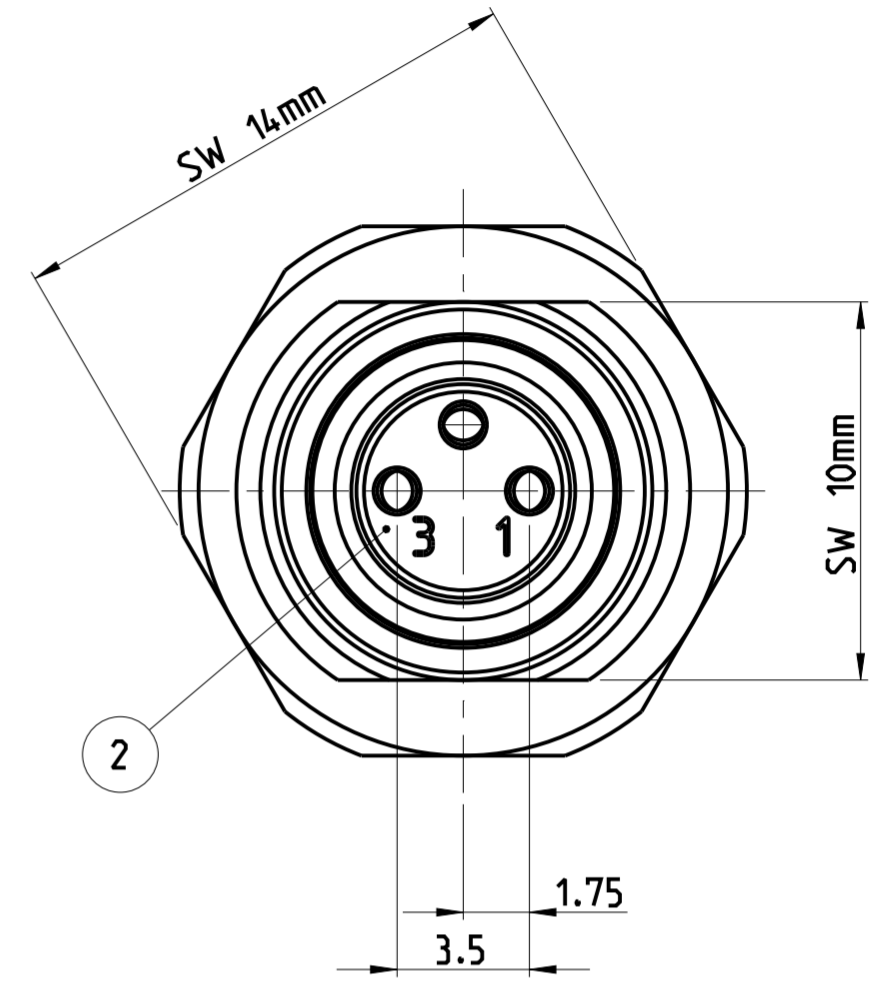
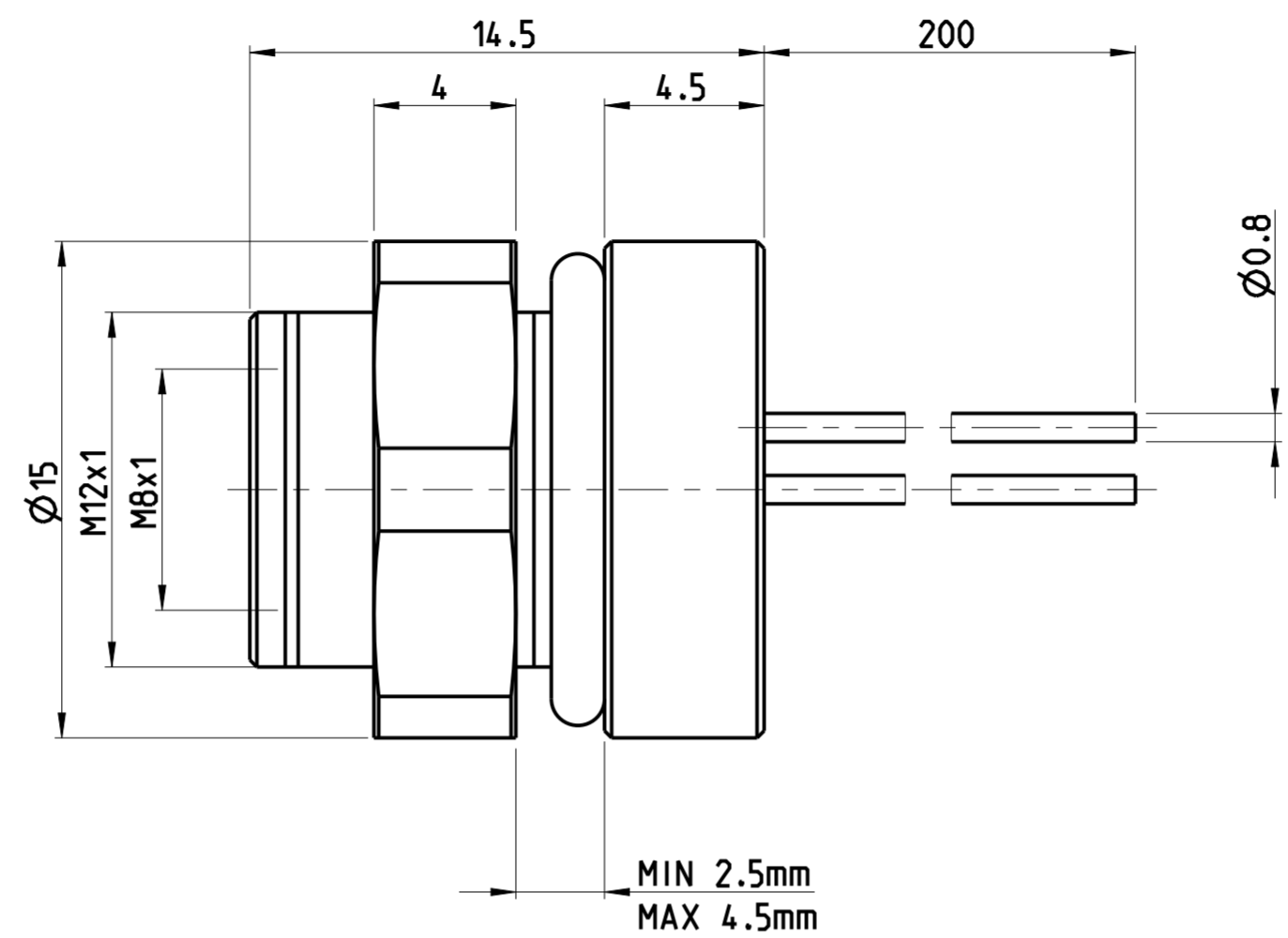
THIS DRAWING IS UNPUBLISHED.
 VERTRÄGLICHE UNVERÖFFENTLICHTE ZEICHNUNG
 © COPYRIGHT 2014 Tyco Electronics AMP GmbH
 RELEASED FOR PUBLICATION
 FREI FÜR VERÖFFENTLICHUNG
 2014
 ALL RIGHTS RESERVED.
 ALLE RECHTE VORBEHALTEN.
 DATED WITH
 PASSEND ZU

PROJECT NO.:
 PRJ-11-000004377

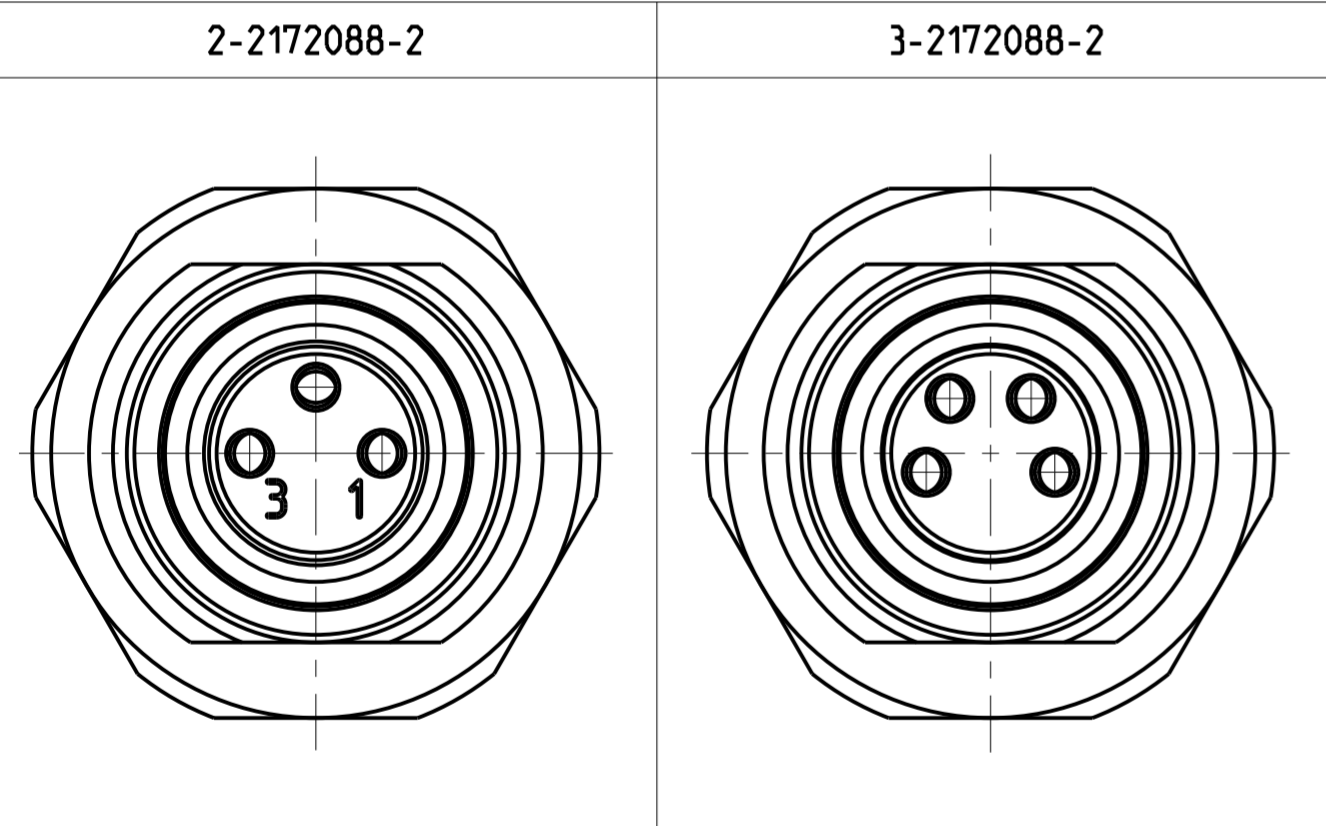
| REVISIONS | | DATE | DWN | APVD |
|------------|-----|--------------|-----------|-------|
| ÄNDERUNGEN | | | | |
| P | LTR | DESCRIPTION | | |
| | | BESCHREIBUNG | | |
| A | | NEW RELEASE | 04DEC2014 | TJ PS |

NOTES:
 1 MATERIAL: ITEM NO. 1: HOUSING - CuZn (BRASS NICKEL PLATED)
 ITEM NO. 2: CONTACT BODY - PA
 ITEM NO. 3: CONTACT - CuSn (BRONZE)
 CONTACT FINISH - Au (GOLD)
 2 ALL DIMENSIONS ARE FOR NOMINAL REFERENCE ONLY UNLESS OTHERWISE STATED

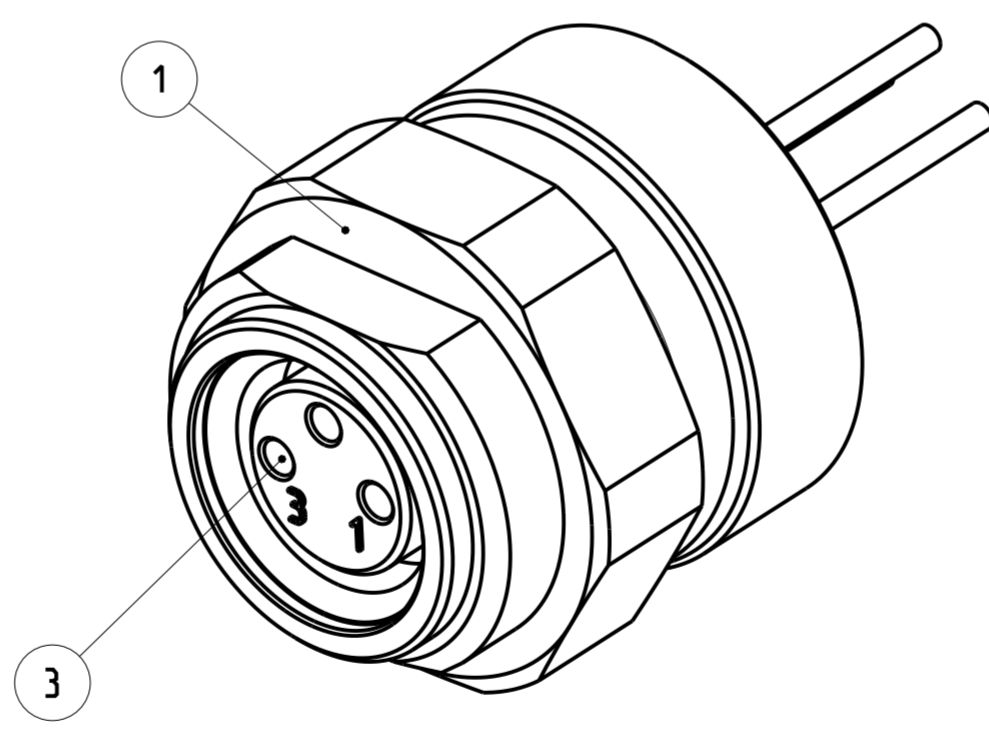
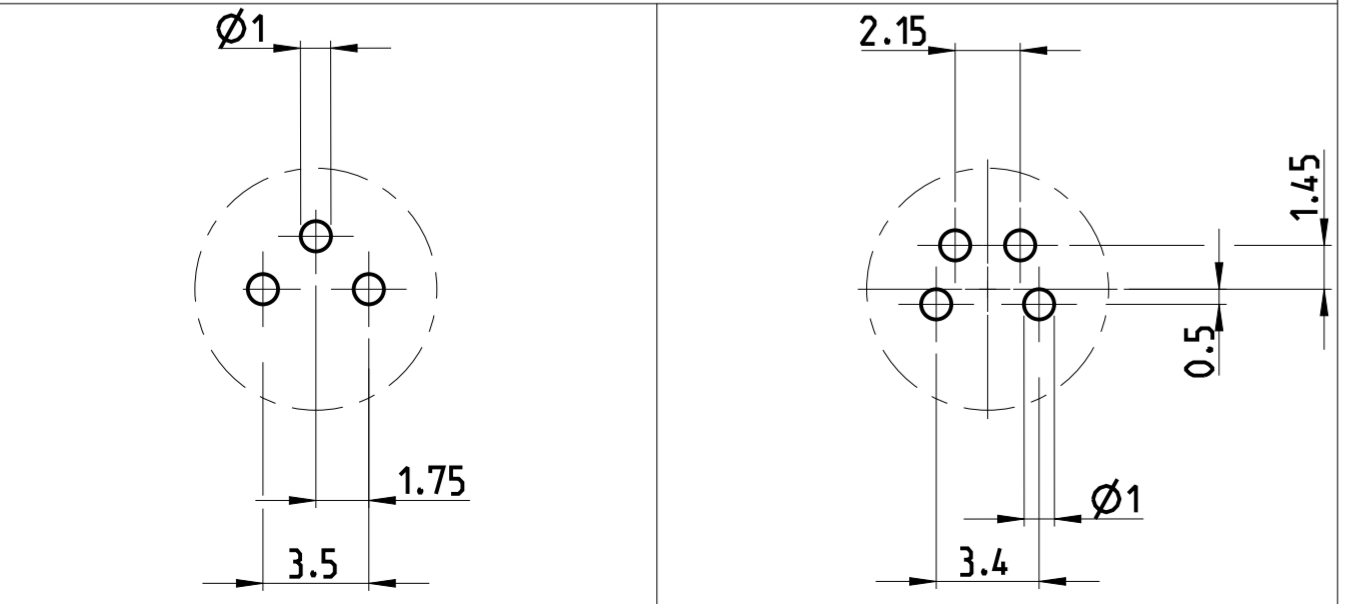
| TECHNICAL DATA | 2-2172088-2 | 3-2172088-2 |
|-----------------------|-------------|-------------|
| RATED VOLTAGE | 60V | 30V |
| RATED IMPULSE VOLTAGE | 800V | 800V |
| POLLUTION DEGREE | 3 | 3 |
| OVERVOLTAGE CATEGORY | II | II |
| MATERIAL GROUP | II | II |
| RATED CURRENT | 4A | 4A |
| VOLUME RESISTIVITY | ≤ 3mΩ | ≤ 3mΩ |
| DEGREE OF PROTECTION | IP67 | IP67 |
| UPPER TEMPERATURE | +85 °C | +85 °C |
| LOWER TEMPERATURE | -40 °C | +40 °C |



PIN ARRANGEMENT



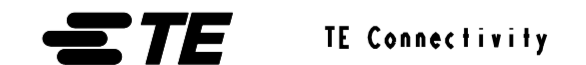
CONDUCTOR LAYOUT



SIZE ISO 14405 (E)

| | | |
|---|-----------------|----------------------------------|
| DIESE ZEICHNUNG IST EIN KONTROLLIERTES DOKUMENT. BEMASSUNGEN UND TOLERANZEN GEMAESS GPS (ISO STANDARDS). | | DWN YASHKUMAR 13SEP2014 |
| THIS DRAWING IS A CONTROLLED DOCUMENT. DIMENSIONING AND TOLERANCING PER GPS (ISO STANDARDS). | | CHK M. BRUBAKER 13SEP2014 |
| DIMENSIONS: MASSEINHEIT: (MM) | | APVD M. BRUBAKER 13SEP2014 |
| TOLERANCES UNLESS OTHERWISE SPECIFIED: ALLGEMEINTOLERANZEN | | PRODUCT SPEC 108-19483 |
| 0 PLC ± | 1 PLC ± | APPLICATION SPEC 114-32127 |
| 2 PLC ± | 3 PLC ± | WEIGHT - |
| 4 PLC ± | ANGLES/WINKEL ± | Customer Drawing |
| FINISH/OBERFLÄCHE/FARBE | | Customer Drawing |
| SEE NOTES | | Customer Drawing |
| SEE NOTES | | Customer Drawing |

| | | |
|----------|-----------------|-------------|
| ⚠ | 4 | 3-2172088-2 |
| ⚠ | 3 | 2-2172088-2 |
| MATERIAL | NUMBER OF POLES | TE-PART-NO. |



| | | | |
|---|-----------|-------------------------------|--------------------------|
| NAME M8 RECEPTACLE, FEMALE, WIRE PANEL REAR MOUNT | | | |
| SIZE | CAGE CODE | DRAWING NO. ZEICHNUNGS-NR. | RESTRICTED TO MUR FÜR |
| A2 | 00779 | C-2172088 | - |
| SCALE MASSSTAB | | SHEET BLATT | REV |
| 4:1 | | 1 OF 1 | A |