

PART  
NAME

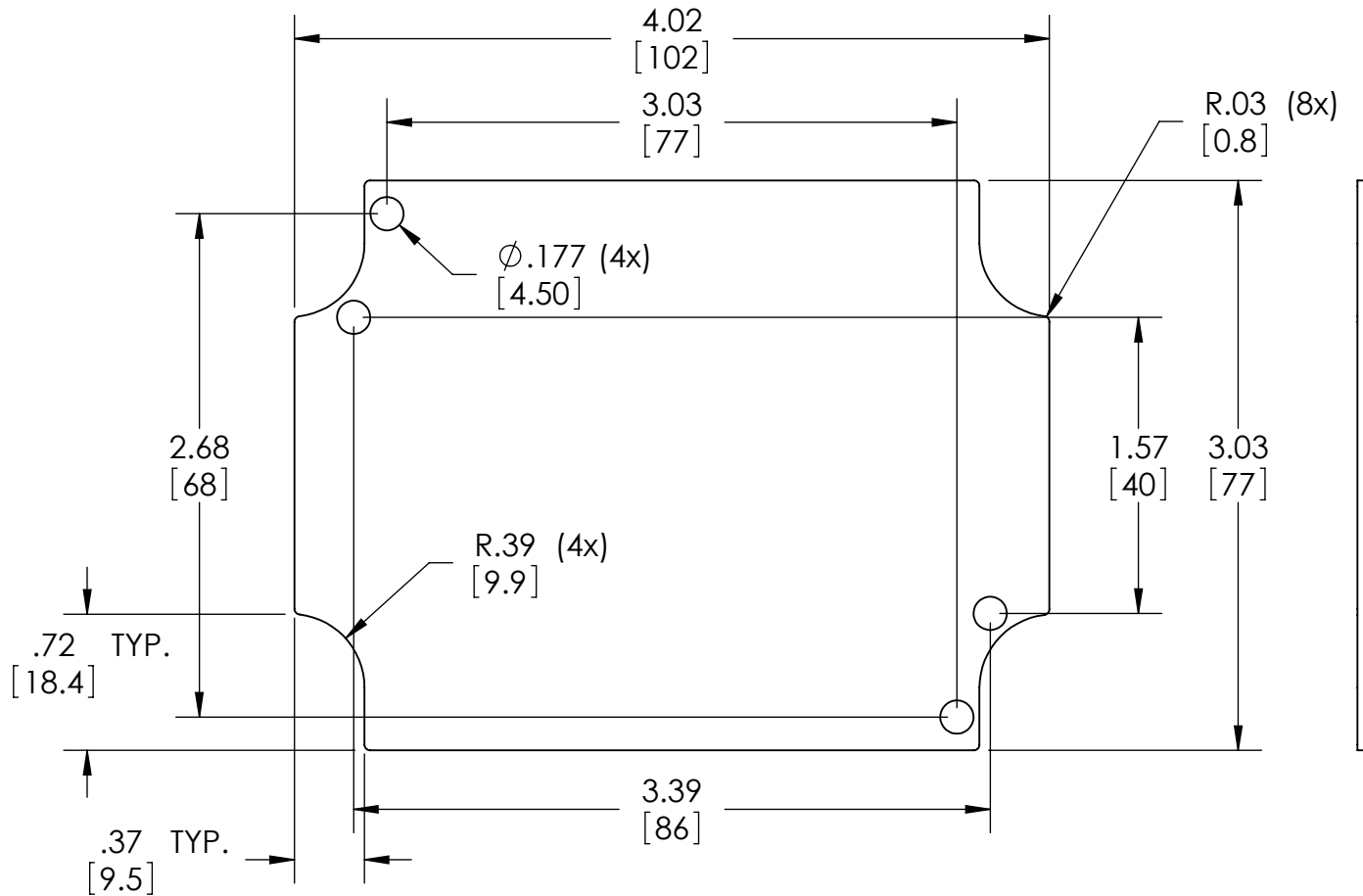
INTERNAL PANEL

PART  
No.

PNX-91423

REV.  
DATE

5-11-11



MATERIAL - .060 [1.5mm] THK. ALUMINUM

FINISH - NATURAL

SUPPLIED WITH M3x0.5 x 6mm LG. MACHINE SCREWS (PAN HD., PHILLIPS DRIVE, STEEL, ZINC PLATED)

FOR MOUNTING IN THE FOLLOWING ENCLOSURES:

PN-1323, PN-1323-DG & PN-1323-C

PN-1328, PN-1328-DG & PN-1328-C

SUPPLIED WITH M3 x 6mm LG. SELF-THREADING SCREWS (PAN HD., PHILLIPS DRIVE, STEEL, ZINC PLATED)

FOR MOUNTING IN THE FOLLOWING ENCLOSURES:

PN-1323-MB, PN-1323-DGMB & PN-1323-CMB

PN-1328-MB, PN-1328-DGMB & PN-1328-CMB