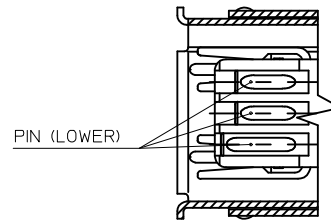
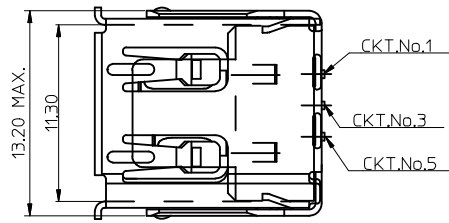
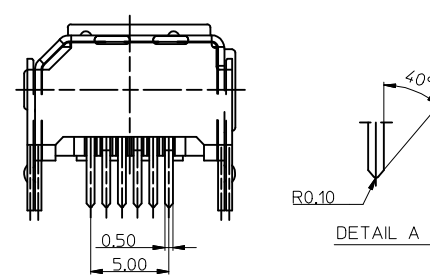
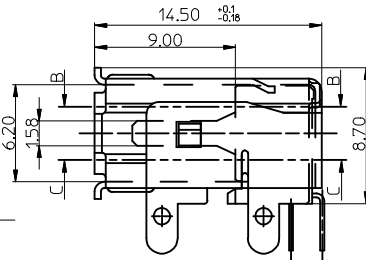
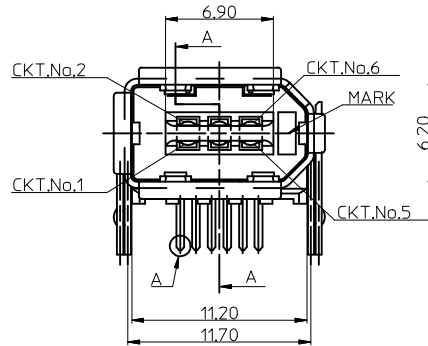


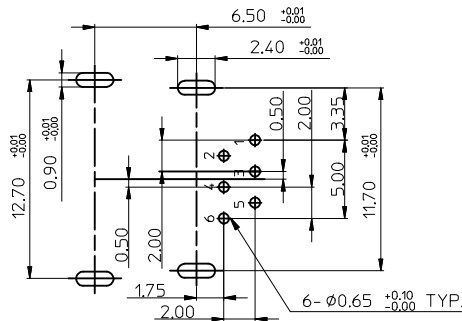
SEC B-B



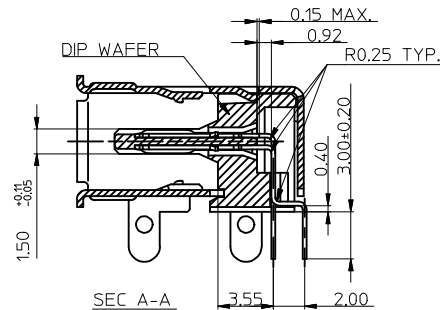
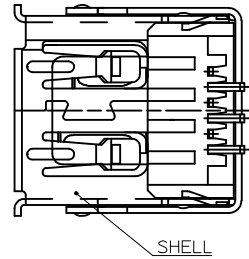
SEC C-C



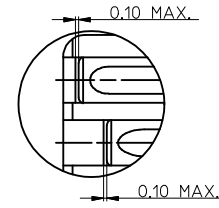
DETAIL A



P.C.BOARD HOLE DIM
(COMPONENT SIDE)



SEC A-A



DETAIL B

NOTE:
 1.MATERIAL:
 HOUSING: POLYMAIDE, GLASS FIBER REINFORCED, UL94-V0, COLOR: BLACK.
 TERMINAL: BRASS.
 METAL SHELL: PHOSPHOR BRONZE.
 2.PLATING:
 TERMINAL:
 CONTACT AREA: GOLD (Au), THICKNESS=30 MICROINCH MINIMUM.
 SOLDER TAIL: TIN(Sn), THICKNESS=120 MICROINCH MINIMUM.
 UNDER PLATE: NICKEL (Ni) OVERALL.
 SURFACE APPEARANCE: BRIGHT.
 METAL SHELL:
 NON IR REFLOW PROCESS:
 TIN(Sn), THICKNESS=80 MICROINCH MINIMUM.
 UNDER PLATE:
 NICKEL (Ni) OVERALL.
 SURFACE APPEARANCE: BRIGHT.
 3.PRODUCT SPECIFICATION: REFER TO PS-67839-002
 4.PACKAGING SPECIFICATION: REFER TO PK-67839-002
 5.TEST SUMMARY: REFER TO TS-67839-002
 6.LEAD FREE AND ROHS COMPLIANCE PRODUCT

LEAD FREE FOR 67839 EC NO: SH2006-0516 DRAWN: ALL IN 2006/05/15 CHKD: 2006/05/15 APPR: WMSCHANG 2006/05/17	QUALITY SYMBOLS = 0 = 0	GENERAL TOLERANCES (UNLESS SPECIFIED)		DIMENSION STYLE MM ONLY		SCALE	DESIGN UNITS METRIC	THIRD ANGLE PROJECTION
		4 PLACES ± --- ± --- 3 PLACES ± --- ± --- 2 PLACES ± 0.25 ± --- 1 PLACE ± 0.25 ± ---	mm INCH	DRAWN BY IVY LIN	DATE 2006/04/10	TITLE 2.0 I/O CONNECTOR SOCKET RIGHT ANGLE FLAT DIP (LEAD FREE VERSION)		
		DRAFT WHERE APPLICABLE MUST REMAIN WITHIN DIMENSIONS		CHECKED BY ALLEN LIN	DATE 2006/04/11	MOLEX INCORPORATED		
		ANGULAR ± 3 °		APPROVED BY WILSON CHANG	DATE 2006/04/11	DOCUMENT NO. SD-67839-002	SHEET NO. 1 OF 1	