

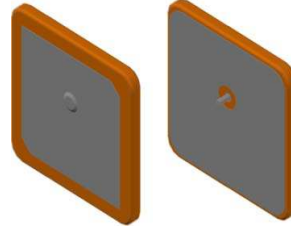
# Product Specification

## Patch Antenna JTT1575S25P2A



### Feature

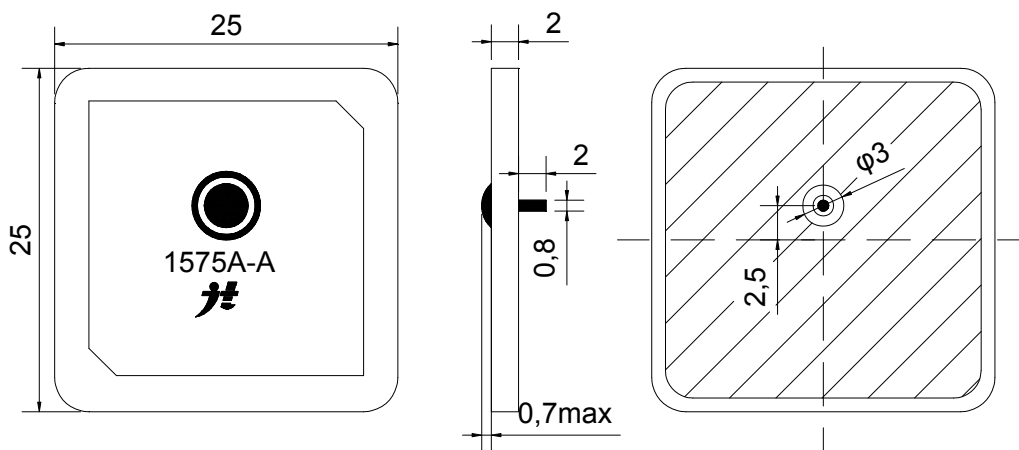
High gain , Compact  
Pin type  
Customization available



### Electrical Specification

|                                      |                   |
|--------------------------------------|-------------------|
| 1 Center Frequency                   | 1575.42 ± 3.0 MHz |
| 2 Return Loss @ F0                   | ≥25 dB            |
| 3 VSWR @ F0                          |                   |
| 4 Bandwidth @ 10dB Return loss       | ≥7.5 MHz          |
| 5 Polarization                       | RHCP              |
| 6 Gain @ Zenith                      | 0 dBi typ.        |
| 7 Gain @ 10° elevation               |                   |
| 8 Axial Ratio @ F0                   | ≤5.0 dB           |
| 9 Ground plane                       | 27 x 27 mm        |
| 10 Impedance                         | 50 Ω              |
| 11 Frequency Temperature Coefficient | ±20 ppm/°C        |
| 12 Operation Temperature Range       | -40 ~ +85°C       |

### Mechanical Drawing



Tolerance Unless Otherwise Specified: ±0.30  
Unit: mm