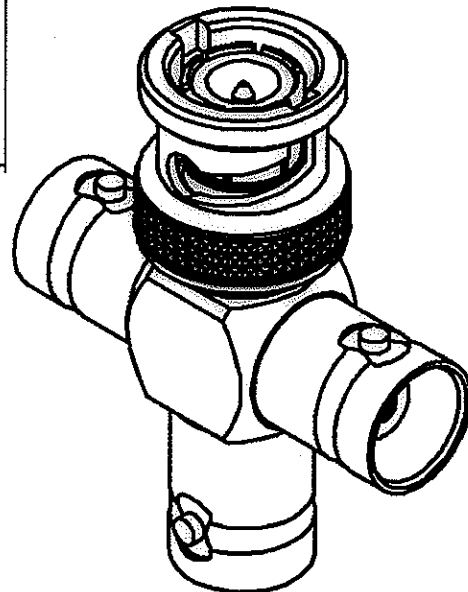
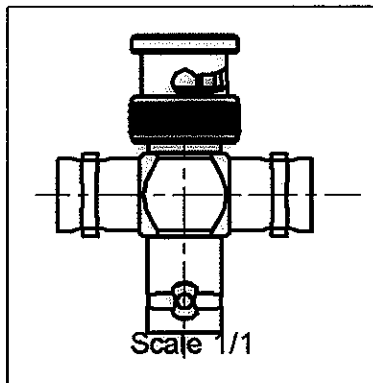
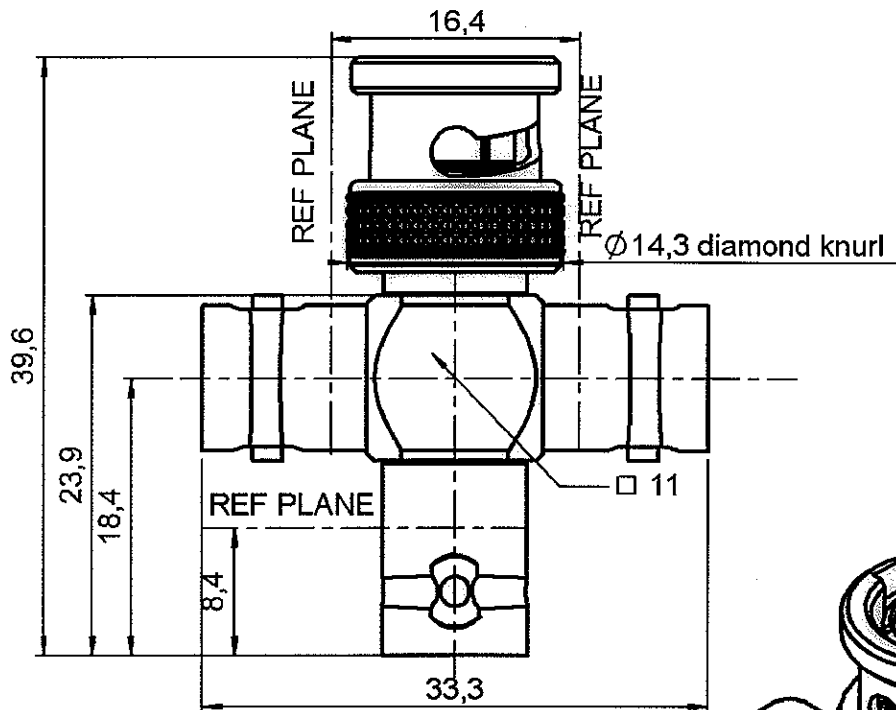


**CROSS FEMALE-FEMALE/FEMALE-MALE ADAPTOR**

**R141.799.000**

0

Series : BNC



All dimensions are in mm.

COMPONENTS	MATERIALS	PLATING
BODY	BRASS	NICKEL 2 µm
CENTRE CONTACT	BERYLLIUM COPPER, BRASS	GOLD 0.5 OVER NICKEL 2 µm
OUTER CONTACT	-	- µm
INSULATOR	PTFE	
GASKET	SILICONE RUBBER	
OTHERS PARTS	BRASS	NICKEL 2 µm
.	.	.
.	.	.



Edition : 9848 A

Design changes may be in order to improve the product.

**CROSS FEMALE-FEMALE/FEMALE-MALE ADAPTOR**

**R141.799.000**

**0**

Series : **BNC**

**ELECTRICAL CHARACTERISTICS**

Impedance		<b>50 Ω</b>
Frequency		<b>0-4 GHz</b>
VSWR	<b>NA +</b>	<b>0.000 x F(GHz) Maxi</b>
Insertion loss		<b>0.175 √F(GHz) dB Maxi</b>
RF leakage	<b>- (</b>	<b>57 - F(GHz)) dB mini</b>
Voltage rating		<b>500 Veff Maxi</b>
Dielectric withstanding voltage		<b>1500 Veff mini</b>
Insulation resistance		<b>5000 MΩ mini</b>

**SPECIFICATION**

**ENVIRONMENTAL**

Operating temperature	<b>-65/+165 °C</b>
Hermetic seal	<b>NA Atm.cm3/s</b>
Leakage – pressurised only	<b>NA Mpa</b>

**OTHERS CHARACTERISTICS**

Assembly instruction **NA**

Others :

**MECHANICAL CHARACTERISTICS**

Centre contact retention		
Axial force – Mating end		<b>18 N mini</b>
Axial force – Opposite end		<b>18 N mini</b>
Torque		<b>2.8 N.cm mini</b>
Recommended torque		
Mating		<b>NA N.cm</b>
Panel nut		<b>NA N.cm</b>
Mating life		<b>500 Cycles mini</b>
Weight		<b>19.000 g</b>

