

R15

Industrial Electromagnetic Relays



- Contacts AgNi
- For plug-in sockets, 35 mm rail mount or on panel mounting.
- Cadmium-free contacts-R15 DPDT, R15 3PDT, R15 4PDT relays
- WT (mechanical indicator and lockable front test button) - standard features of R15 DPDT, R15 3PDT relays in cover, for plug-in sockets.
- Relays may be provided with the test buttons (no latching) and plugs (see page 115).
- AUCOTEAM, GmbH Berlin - railway standards.



Contact Data

Number and type of contacts		DPDT	3PDT	4PDT
Contact material		AgNi	AgNi	AgCdO
Rated / max. switching voltage AC		250 V / 440 V	250 V / 440 V	250 V / 440 V
Min. switching voltage		10 V	10 V	10 V
Rated load (capacity)	AC1	10 A / 250 V AC; 10 A / 277 V AC UL 508	10 A / 250 V AC; 10 A / 277 V AC UL 508	10 A / 250 V AC; 10 A / 277 V AC UL 508
	AC15	3 A / 120 V; 1.5 A / 240 V (B300)	3 A / 120 V; 1.5 A / 240 V (B300)	3 A / 120 V; 1.5 A / 240 V (B300)
	AC3	370 W (single-phase motor. 1/2 HP / 240 V AC UL 508)	370 W (single-phase motor. 1/2 HP / 240 V AC UL 508)	370 W (single-phase motor. 1/2 HP / 240 V AC UL 508)
	DC1	10 A / 24 V DC (see Fig. 3)	10 A / 24 V DC (see Fig. 3)	10 A / 24 V DC (see Fig. 3)
	DC13	0.22 A / 120 V; 0.1 A / 250 V (R300)	0.22 A / 120 V; 0.1 A / 250 V (R300)	0.22 A / 120 V; 0.1 A / 250 V (R300)
Min. switching current		5 mA	5 mA	10 mA
Max. inrush current		20 A	20 A	20 A
Rated current		10A	10A	10A
Max. breaking capacity	AC1	2500 VA	2500 VA	2500 VA
Min. breaking capacity		0.3 W	0.3 W	0.5 W
Contact resistance		≤ 100 mΩ	≤ 100 mΩ	≤ 100 mΩ
Max. operating frequency				
• at rated load	AC1	1200 cycles/hour	1200 cycles/hour	1200 cycles/hour
• no load		12000 cycles/hour	12000 cycles/hour	12000 cycles/hour

Coil Data

Rated voltage	50/60 Hz AC	6 ... 240 V	6 ... 240 V	6 ... 240 V
	DC	6 ... 220 V	6 ... 220 V	6 ... 220 V
Must release voltage		AC: ≥ 0.15 U _n ; DC: ≥ 0.1 U _n	AC: ≥ 0.15 U _n ; DC: ≥ 0.1 U _n	AC: ≥ 0.15 U _n ; DC: ≥ 0.1 U _v
Operating range of supply voltage		see page 68	see page 68	see page 68
Rated power consumption		AC: 2.8 VA 50 Hz; 2.5 VA 60 Hz; DC: 1.5 W	AC: 2.8 VA 50 Hz; 2.5 VA 60 Hz; DC: 1.5 W	AC: 2.8 VA 50 Hz; 2.5 VA 60 Hz; DC: 1.5 W

Insulation

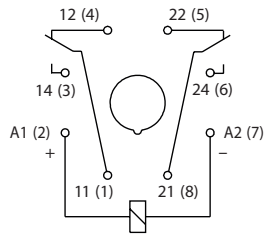
Insulation rated voltage		250 V AC	250 V AC	250 V AC
Rated surge voltage		2500 V 1.2 / 50 μs	2500 V 1.2 / 50 μs	2500 V 1.2 / 50 μs
Overvoltage category		III	III	III
Insulation pollution degree		3	3	3
Dielectric strength				
• between coil and contacts		2500 V AC type of insulation: basic	2500 V AC type of insulation: basic	2500 V AC type of insulation: basic
• contact clearance		1500 V AC type of clearance: micro-disco.	1500 V AC type of clearance: micro-disco.	1500 V AC type of clearance: micro-disco.
• pole - pole		2000 V AC type of insulation: basic	2000 V AC type of insulation: basic	2000 V AC type of insulation: basic
Contact - coil distance				
• clearance		≥ 3 mm	≥ 3 mm	≥ 3 mm
• creepage		≥ 4.2 mm	≥ 4.2 mm	≥ 3.2 mm

General Data

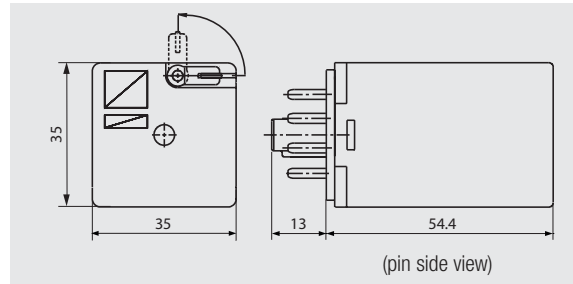
Operating / release time (typical)		AC: 12 ms / 10 ms; DC: 18 ms / 7 ms	AC: 12 ms / 10 ms; DC: 18 ms / 7 ms	AC: 12 ms / 10 ms; DC: 18 ms / 7 ms
Electrical life				
• resistive AC1		> 2 x 10 ⁵ ; 10 A. 250 V AC	> 2 x 10 ⁵ ; 10 A. 250 V AC	> 2 x 10 ⁵ ; 10 A. 250 V AC
• cos		see Fig. 2	see Fig. 2	see Fig. 2
Mechanical life (cycles)		> 2 x 10 ⁷	> 2 x 10 ⁷	> 2 x 10 ⁷
Dimensions (L x W x H)		35 x 35 x 54.4 mm	35 x 35 x 54.4 mm	35 x 42.5 x 54.5 mm
Weight		83 g	83 g	95 g
Ambient temperature				
• storage		-40...+85 °C	-40...+85 °C	-40...+85 °C
• operating		AC: -40...+55 °C DC: -40...+70 °C	AC: -40...+55 °C DC: -40...+70 °C	AC: -40...+55 °C DC: -40...+70 °C
Cover protection category		IP 40 PN-EN 60529	IP 40 PN-EN 60529	IP 40 PN-EN 60529
Environmental protection		RTI PN-EN 116000-3	RTI PN-EN 116000-3	RTI PN-EN 116000-3
Shock resistance		10 g	10 g	10 g
Vibration resistance		5 g 10...150 Hz	5 g 10...150 Hz	5 g 10...150 Hz
Solder bath temperature		max. 270 °C	max. 270 °C	max. 270 °C
Soldering time		max. 5 s	max. 5 s	max. 5 s

DPDT

CONNECTION DIAGRAM

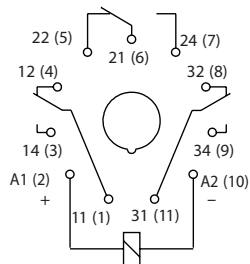


DIMENSIONS

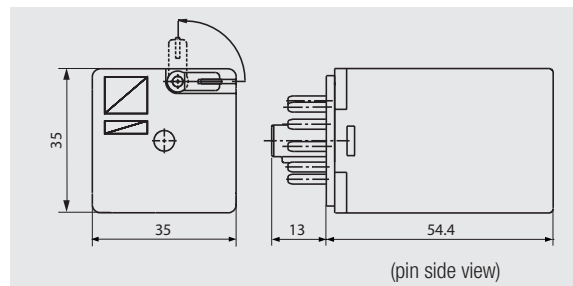


3PDT

CONNECTION DIAGRAM

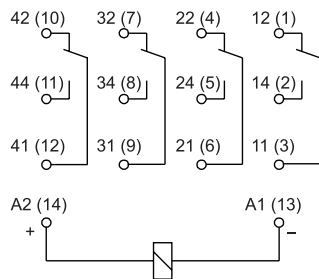


DIMENSIONS

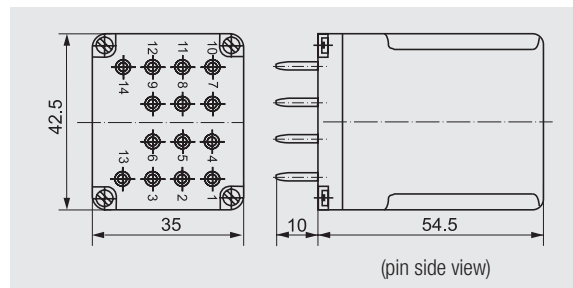


4PDT

CONNECTION DIAGRAM

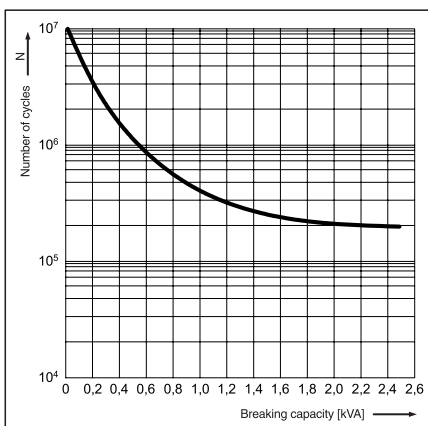


DIMENSIONS

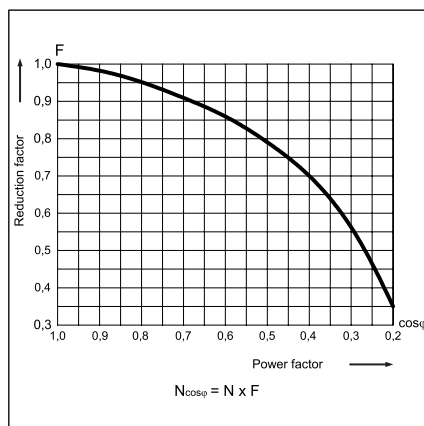


LOAD CHARTS

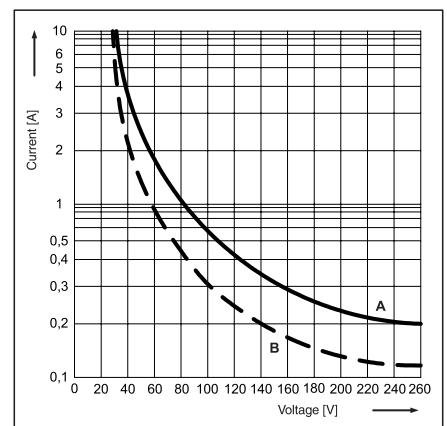
Electrical life at AC resistive load. Switching frequency: 1200 cycles/hour Fig. 1



Electrical life reduction factor at AC inductive load Fig. 2



Max. DC breaking capacity A - resistive load DC1 B - inductive load L/R = 40 ms Fig. 3



R15

Industrial Electromagnetic Relays

R15 DPDT AC 50/60Hz & DC coil

Part Number	Coil Voltage (V)	Coil Type	Coil resistance at 20 °C in Ω	Coil operating range		Options*		
				min. (at 20°C)	max. (at 55°C)	-	WT	WTL
▶ R15-2012-23-1012	12	DC	110	9.6	13.2	x		
R15-2012-23-1012-WT	12	DC	110	9.6	13.2		x	
R15-2012-23-1012-WTL	12	DC	110	9.6	13.2			x
▶ R15-2012-23-1024	24	DC	430	19.2	26.4	x		
R15-2012-23-1024-WT	24	DC	430	19.2	26.4		x	
▶ R15-2012-23-1024-WTL	24	DC	430	19.2	26.4			x
R15-2012-23-1110	110	DC	9200	88.0	121.0	x		
R15-2012-23-1110-WT	110	DC	9200	88.0	121.0		x	
R15-2012-23-1110-WTL	110	DC	9200	88.0	121.0			x
▶ R15-2012-23-5024	24	AC 50/60Hz	75	19.2	26.4	x		
R15-2012-23-5024-WT	24	AC 50/60Hz	75	19.2	26.4		x	
R15-2012-23-5024-WTL	24	AC 50/60Hz	75	19.2	26.4			x
▶ R15-2012-23-5120	120	AC 50/60Hz	1910	96.0	132.0	x		
R15-2012-23-5120-WT	120	AC 50/60Hz	1910	96.0	132.0		x	
▶ R15-2012-23-5120-WTL	120	AC 50/60Hz	1910	96.0	132.0			x
▶ R15-2012-23-5230	230	AC 50/60Hz	7080	184.0	253.0	x		
R15-2012-23-5230-WT	230	AC 50/60Hz	7080	184.0	253.0		x	
R15-2012-23-5230-WTL	230	AC 50/60Hz	7080	184.0	253.0			x

R15 3PDT AC 50/60Hz & DC coil

Part Number	Coil Voltage (V)	Coil Type	Coil resistance at 20 °C in Ω	Coil operating range		Options*		
				min. (at 20°C)	max. (at 55°C)	-	WT	WTL
▶ R15-2013-23-1012	12	DC	110	9.6	13.2	x		
R15-2013-23-1012-WT	12	DC	110	9.6	13.2		x	
R15-2013-23-1012-WTL	12	DC	110	9.6	13.2			x
▶ R15-2013-23-1024	24	DC	430	19.2	26.4	x		
R15-2013-23-1024-WT	24	DC	430	19.2	26.4		x	
▶ R15-2013-23-1024-WTL	24	DC	430	19.2	26.4			x
R15-2013-23-1110	110	DC	9200	88.0	121.0	x		
R15-2013-23-1110-WT	110	DC	9200	88.0	121.0		x	
R15-2013-23-1110-WTL	110	DC	9200	88.0	121.0			x
▶ R15-2013-23-5024	24	AC 50/60Hz	75	19.2	26.4	x		
R15-2013-23-5024-WT	24	AC 50/60Hz	75	19.2	26.4		x	
R15-2013-23-5024-WTL	24	AC 50/60Hz	75	19.2	26.4			x
▶ R15-2013-23-5120	120	AC 50/60Hz	1910	96.0	132.0	x		
R15-2013-23-5120-WT	120	AC 50/60Hz	1910	96.0	132.0		x	
▶ R15-2013-23-5120-WTL	120	AC 50/60Hz	1910	96.0	132.0			x
▶ R15-2013-23-5230	230	AC 50/60Hz	7080	184.0	253.0	x		
R15-2013-23-5230-WT	230	AC 50/60Hz	7080	184.0	253.0		x	
R15-2013-23-5230-WTL	230	AC 50/60Hz	7080	184.0	253.0			x

R15 4PDT AC 50/60Hz & DC coil

Part Number	Coil Voltage (V)	Coil Type	Coil resistance at 20 °C in Ω	Coil operating range		Options*			
				min. (at 20°C)	max. (at 55°C)	-	K	WT	WTL
R15-1014-23-1012	12	DC	110	9.6	13.2	x			
R15-1014-23-1012-K	12	DC	110	9.6	13.2		x		
R15-1014-23-1012-L	12	DC	110	9.6	13.2			x	
R15-1014-23-1012-D	12	DC	110	9.6	13.2				x
R15-1014-23-1024	24	DC	430	19.2	26.4	x			
R15-1014-23-1024-K	24	DC	430	19.2	26.4		x		
▶ R15-1014-23-1024-L	24	DC	430	19.2	26.4			x	
R15-1014-23-1024-D	24	DC	430	19.2	26.4				x
R15-1014-23-1110	110	DC	9200	88.0	121.0	x			
R15-1014-23-1110-K	110	DC	9200	88.0	121.0		x		
R15-1014-23-1110-L	110	DC	9200	88.0	121.0			x	
R15-1014-23-1110-D	110	DC	9200	88.0	121.0				x
R15-1014-23-3024	24	AC 50Hz	72	19.2	26.4	x			
R15-1014-23-3024-K	24	AC 50Hz	72	19.2	26.4		x		
R15-1014-23-3024-L	24	AC 50Hz	72	19.2	26.4			x	
R15-1014-23-3024-D	24	AC 50Hz	72	19.2	26.4				x
R15-1014-23-3120	120	AC 50Hz	2300	96.0	132.0	x			
R15-1014-23-3120-K	120	AC 50Hz	2300	96.0	132.0		x		
R15-1014-23-3120-L	120	AC 50Hz	2300	96.0	132.0			x	
R15-1014-23-3120-D	120	AC 50Hz	2300	96.0	132.0				x
R15-1014-23-3230	230	AC 50Hz	7900	184.0	253.0	x			
R15-1014-23-3230-K	230	AC 50Hz	7900	184.0	253.0		x		
R15-1014-23-3230-L	230	AC 50Hz	7900	184.0	253.0			x	
R15-1014-23-3230-D	230	AC 50Hz	7900	184.0	253.0				x
R15-1014-23-6120	120	AC 60Hz	2000	96.0	132.0	x			
R15-1014-23-6120-K	120	AC 60Hz	2000	96.0	132.0		x		
▶ R15-1014-23-6120-L	120	AC 60Hz	2000	96.0	132.0			x	
R15-1014-23-6120-D	120	AC 60Hz	2000	96.0	132.0				x
R15-1014-23-6230	230	AC 60Hz	7000	184.0	253.0	x			
R15-1014-23-6230-K	230	AC 60Hz	7000	184.0	253.0		x		
R15-1014-23-6230-L	230	AC 60Hz	7000	184.0	253.0			x	
R15-1014-23-6230-D	230	AC 60Hz	7000	184.0	253.0				x

WT = with mechanical indicator + lockable front test button; WTL = with mechanical indicator + lockable front test button + light indicator (LED)
 K = with test button without block function; L = with light indicator (LED); D = with surge suppression element (diode); other options available upon request

▶ **BOLD** - Regular stocked items.

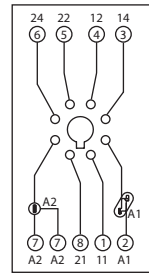
GZP8 for R15 DPDT

Screw terminals
 Max. tightening moment
 for the terminal: 0.5 Nm
 35 mm rail mount
 acc. to PN-EN 60715
 or on panel mounting
 73 x 38.2 x 27.2 mm Two poles
 12 A, 300 V AC

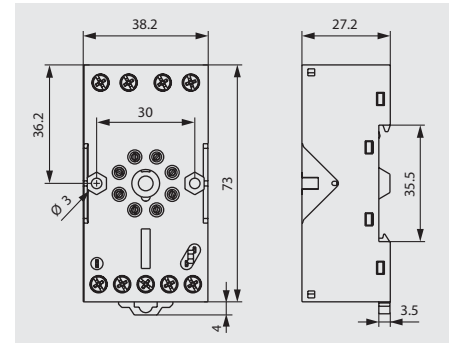


GZP8

CONNECTION DIAGRAM



DIMENSIONS



E22891



Time module COM3T



GZP-0035



GZP-0054

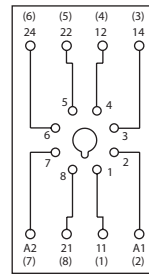
PZ8 for R15 DPDT

Screw terminals
 Max. tightening moment
 for the terminal: : 0.7 Nm
 35 mm rail mount
 acc. to PN-EN 60715
 or on panel mounting
 68.2 x 38 x 24.2 mm
 Two poles
 10 A, 250 V AC

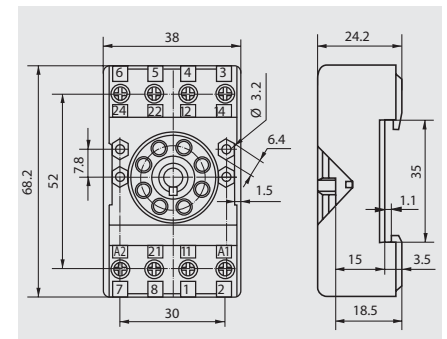


PZ8

CONNECTION DIAGRAM



DIMENSIONS



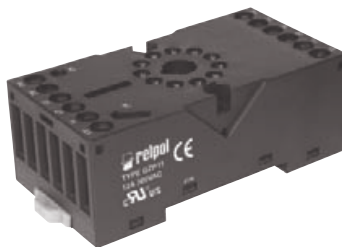
E105728



PZ11 0031

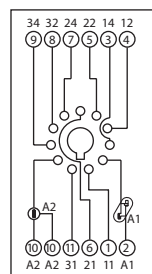
GZP11 for R15 3PDT

Screw terminals
 Max. tightening moment
 for the terminal: : 0,5 Nm
 35 mm rail mount
 acc. to PN-EN 60715
 or on panel mounting
 73 x 38.2 x 27.2 mm
 Three poles
 12 A, 300 V AC

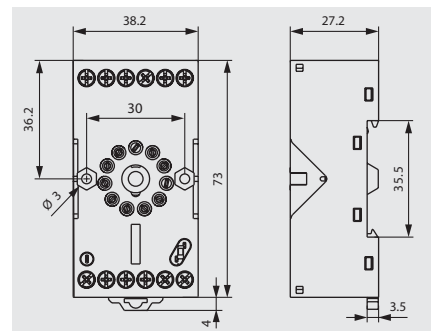


GZP11

CONNECTION DIAGRAM



DIMENSIONS



E22891



Time module COM3T



GZP-0035



GZP-0054

All accessories are sold separately.

R15

Industrial Electromagnetic Relays - Plug-in Sockets and Accessories

PZ11 for R15 3PDT

Screw terminals
 Max. tightening moment
 for the terminal: : 0.7 Nm
 35 mm rail mount
 acc. to PN-EN 60715
 or on panel mounting
 68.2 x 38 x 24.2 mm
 Three poles
 10 A, 250 V AC

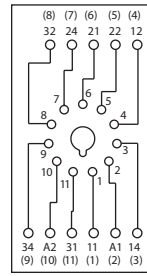


PZ11

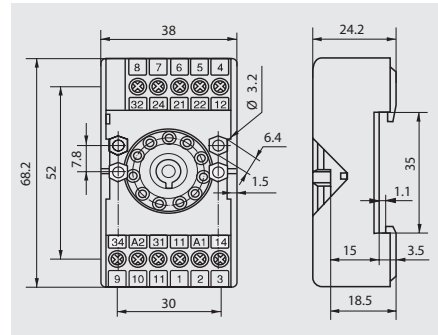


PZ11 0031

CONNECTION DIAGRAM



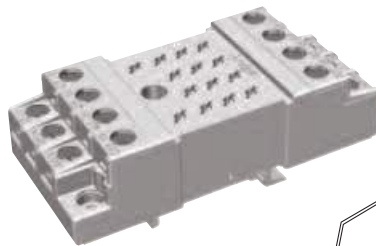
DIMENSIONS



E105728

GZ14U for R15 4PDT

Screw terminals
 Max. tightening moment
 for the terminal: : 0.7 Nm
 35 mm rail mount
 acc. to PN-EN 60715
 96.8 x 46.2 x 33.3 mm
 Four poles
 10 A, 250 V AC

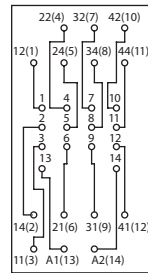


GZ14ZU

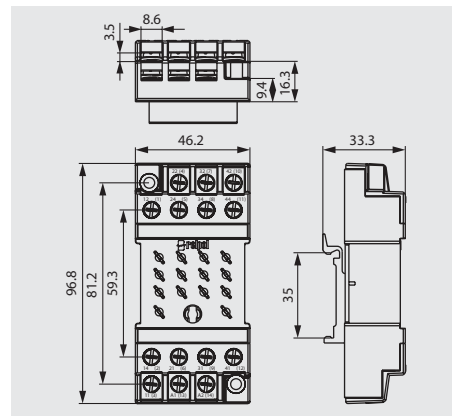


GZ14 0737

CONNECTION DIAGRAM



DIMENSIONS



See Relay Socket Combinations on pages 104-109



All accessories are sold separately.

Altech Custom Assemblies



**Altech provides quick turnaround
and competitive prices on assemblies.**

For complete assemblies contact Altech.