

Thermofit[®] Molded Parts

Specification Control Drawing

Part Number: 562A115
Description: Transition,
 1 to 4 Cables

Notes:

- All dimensions are in $\frac{\text{Inches}}{\text{[Millimeters]}}$; $\frac{\text{lbs}}{\text{[gms]}}$
- Dimensions appearing in table are as follows:
 a - as supplied
 b - after unrestricted recovery
- Coating is optional. As supplied dimensions appearing in table are for uncoated parts. When coating is added, entry diameters will be reduced by .06 max.
- Weight appearing in table of dimensions is based on polyolefin part.

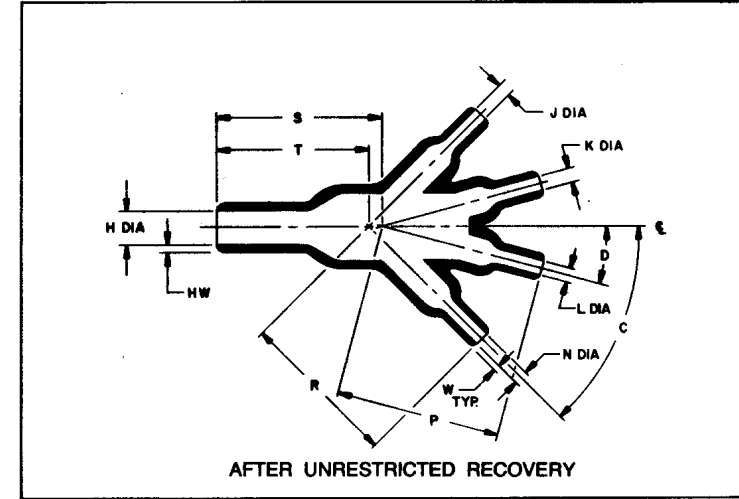
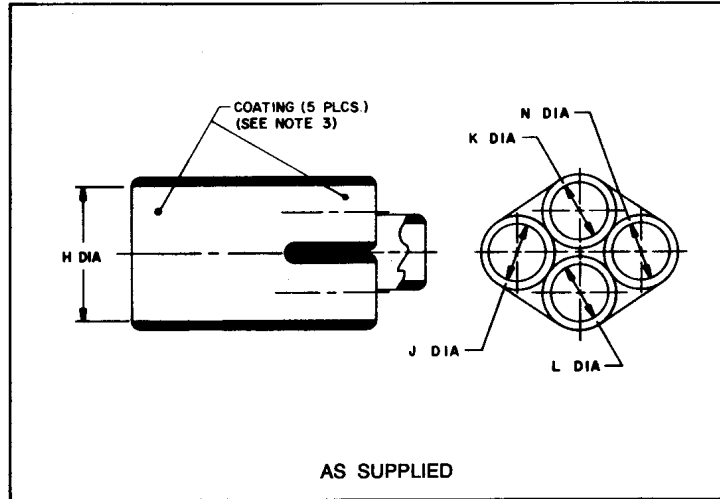


Table of Dimensions															
Part Number	H		J, K, L, N		P	R	S	T	HW	W	C		D		Weight ±10% b
	Min a	Max b	Min a	Max b	±10% b	±10% b	±10% b	±10% b	±20% b	±20% b	±10° a	±5° b	±10° a	±5° b	
562A115	1.22 [31,0]	.57 [14,5]	.77 [19,6]	.36 [9,1]	2.92 [74,2]	2.63 [66,8]	2.33 [59,2]	1.77 [45,0]	.10 [2,5]	.06 [1,5]	10	45	10	15	.024 [10,89]

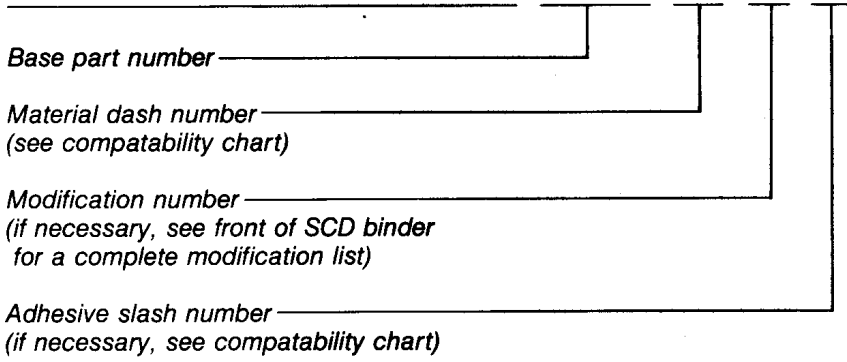
Thermofit[®] Molded Parts Specification Control Drawing

Part Number: 562A115
Description: Transition,
1 to 4 Cables

Compatibility Chart					
Material Dash No.	Material Description	RT Spec	Coating Slash No.	Coating S. No.	Coating Description
-3	Polyolefin, Semi-Rigid	RT-301			
-4	Polyolefin, Flexible	RT-1304			
-5	Neoprene	RT-501			
-6	Silicone	RT-602			
-25	Elastomer, Fluid Resistant	RT-1325			

Ordering Information:

562A115 — XX — XX / XXX



This drawing is subject to change without notice; consult your nearest field representative for current revision.

Raychem
Raychem Corporation
300 Constitution Drive
Menlo Park, California 94025
415) 361 6055

If this document is printed it becomes uncontrolled.
Check with the web for latest revision.

Revision: **D**
Date: **3-13-86**

Part Number: 562A115
Description: Transition,
1 to 4 Cables