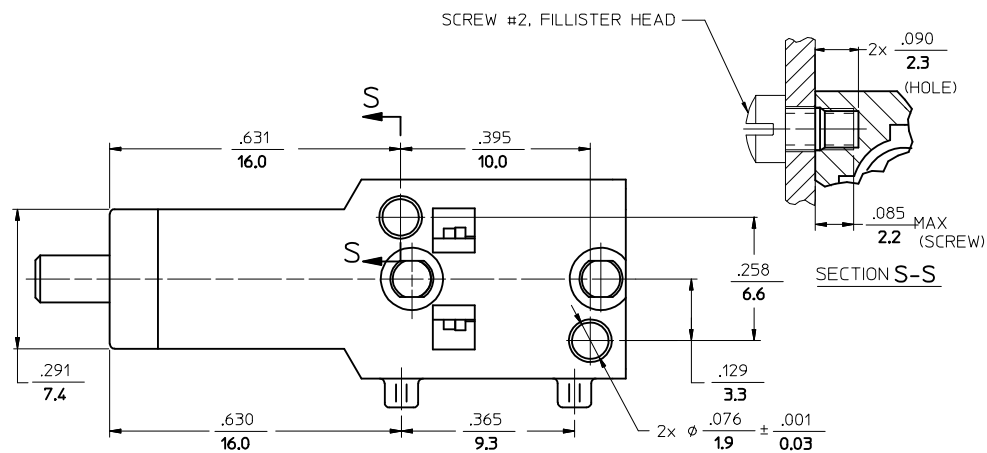
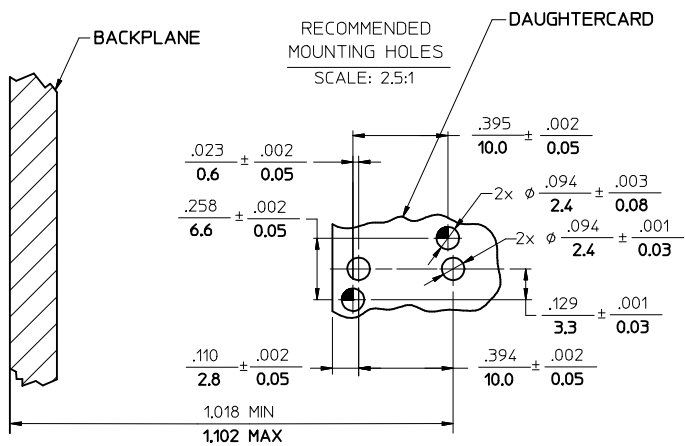
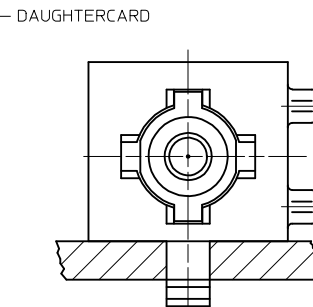
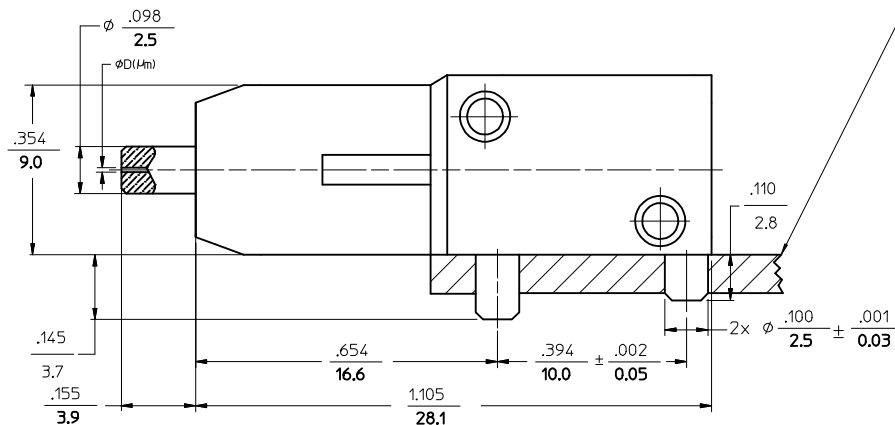
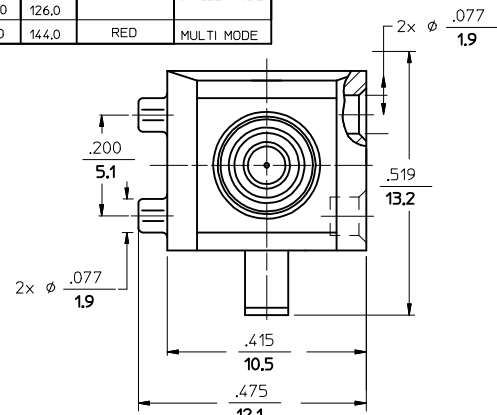


| CONNECTOR P/N | øD(Hm) | HOUSING COLOR | CABLE TYPE |
|---------------|--------|---------------|-------------|
| 106071-2300 | 125.5 | BLACK | SINGLE MODE |
| 106071-3000 | 128.0 | | MULTI MODE |
| 106071-2000 | 125.5 | RED | SINGLE MODE |
| 106071-5000 | 126.0 | | MULTI MODE |
| 106071-1000 | 144.0 | | |



| ENTER DESCRIPTION EC NO: MF2015-0802 DRAWING MILLCHTEIN 2015/06/19 CHKD: APPR: WCHEN 2015/08/04 DESCRIPTION | QUALITY SYMBOLS ▼=0 ▽=0 | GENERAL TOLERANCES (UNLESS SPECIFIED) <table border="1"> <thead> <tr> <th></th> <th>mm</th> <th>INCH</th> </tr> </thead> <tbody> <tr> <td>4 PLACES</td> <td>± .005</td> <td>± .0002</td> </tr> <tr> <td>3 PLACES</td> <td>± .005</td> <td>± .0002</td> </tr> <tr> <td>2 PLACES</td> <td>± .005</td> <td>± .0002</td> </tr> <tr> <td>1 PLACE</td> <td>± .005</td> <td>± .0002</td> </tr> <tr> <td>0 PLACE</td> <td>± .005</td> <td>± .0002</td> </tr> </tbody> </table> | | mm | INCH | 4 PLACES | ± .005 | ± .0002 | 3 PLACES | ± .005 | ± .0002 | 2 PLACES | ± .005 | ± .0002 | 1 PLACE | ± .005 | ± .0002 | 0 PLACE | ± .005 | ± .0002 | DIMENSION STYLE IN/MM DRAWN BY DATE PGIBL IN 2005/10/27 CHECKED BY DATE APPROVED BY DATE | SCALE 5:1 DESIGN UNITS INCH | THIRD ANGLE PROJECTION |
|--|---------------------------------------|---|------|----|------|----------|--------|---------|----------|--------|---------|----------|--------|---------|---------|--------|---------|---------|--------|---------|---|--------------------------------------|------------------------|
| | | mm | INCH | | | | | | | | | | | | | | | | | | | | |
| 4 PLACES | ± .005 | ± .0002 | | | | | | | | | | | | | | | | | | | | | |
| 3 PLACES | ± .005 | ± .0002 | | | | | | | | | | | | | | | | | | | | | |
| 2 PLACES | ± .005 | ± .0002 | | | | | | | | | | | | | | | | | | | | | |
| 1 PLACE | ± .005 | ± .0002 | | | | | | | | | | | | | | | | | | | | | |
| 0 PLACE | ± .005 | ± .0002 | | | | | | | | | | | | | | | | | | | | | |
| MATERIAL NO. 1060714351 DRAFT WHERE APPLICABLE MUST REMAIN WITHIN DIMENSIONS | DOCUMENT NO. SD-106071-XX00 | SHEET NO. 1 OF 1 | | | | | | | | | | | | | | | | | | | | | |