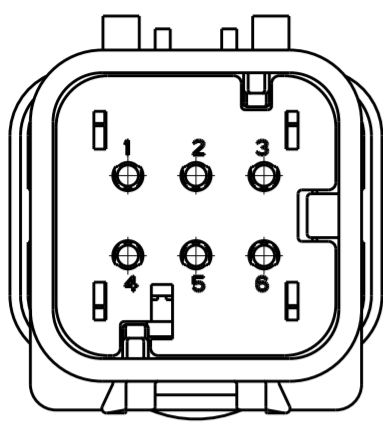
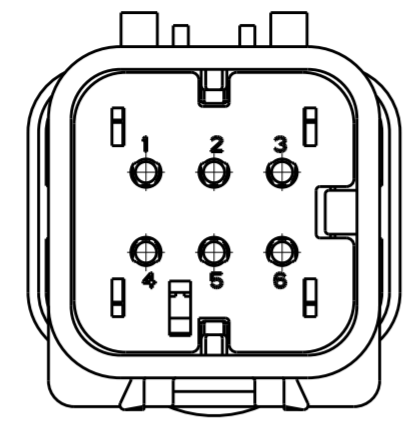


THIS DRAWING IS UNPUBLISHED. RELEASED FOR PUBLICATION. ALL RIGHTS RESERVED.

REVISIONS				
P	LTR	DESCRIPTION	DATE	APVD
C2		REVISED PER ECO-11-005030	12MAR2011	RK HMR
D		REVISED PER ECO-13-019168	05DEC2013	DR RB

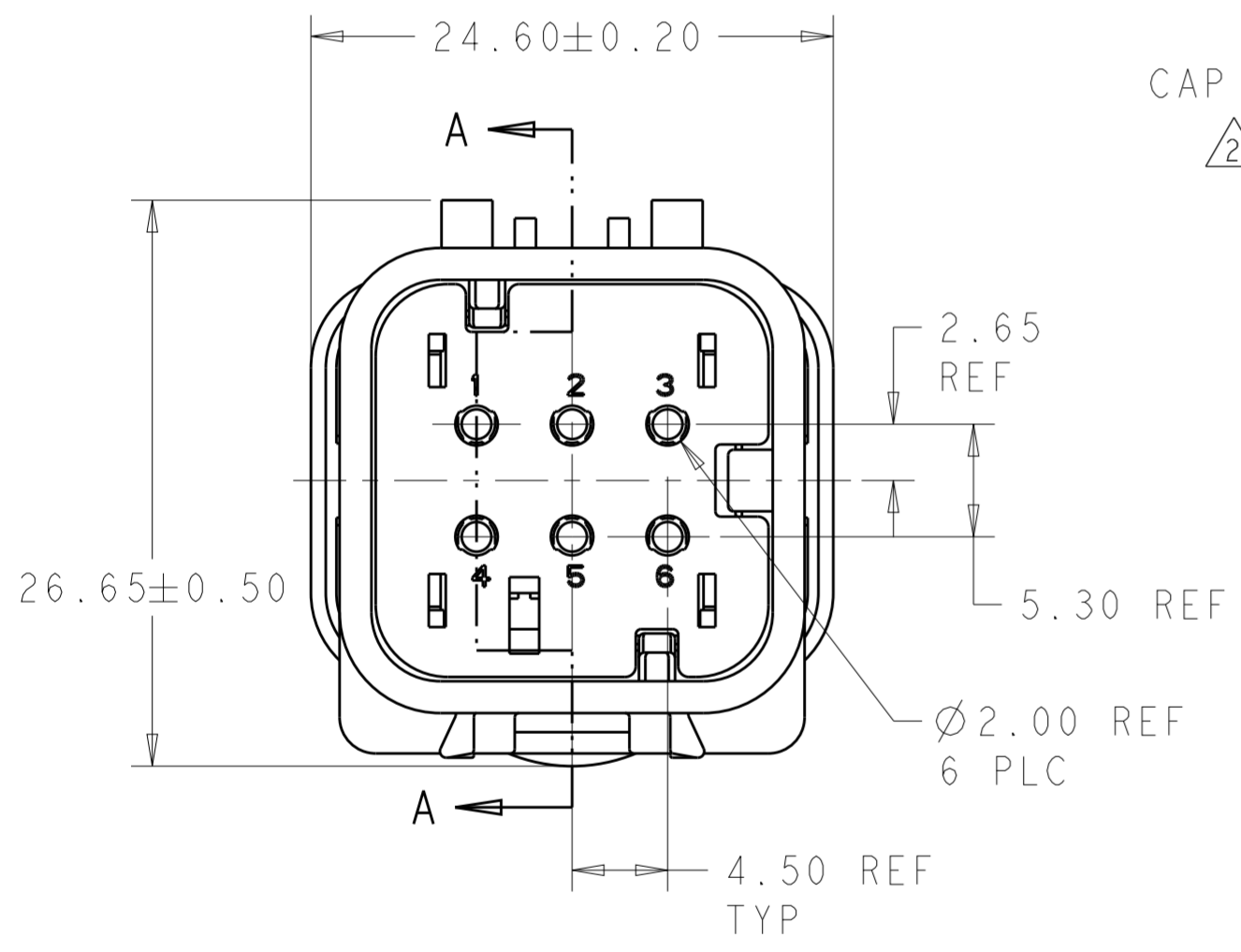


776434-2
SCALE 2:1

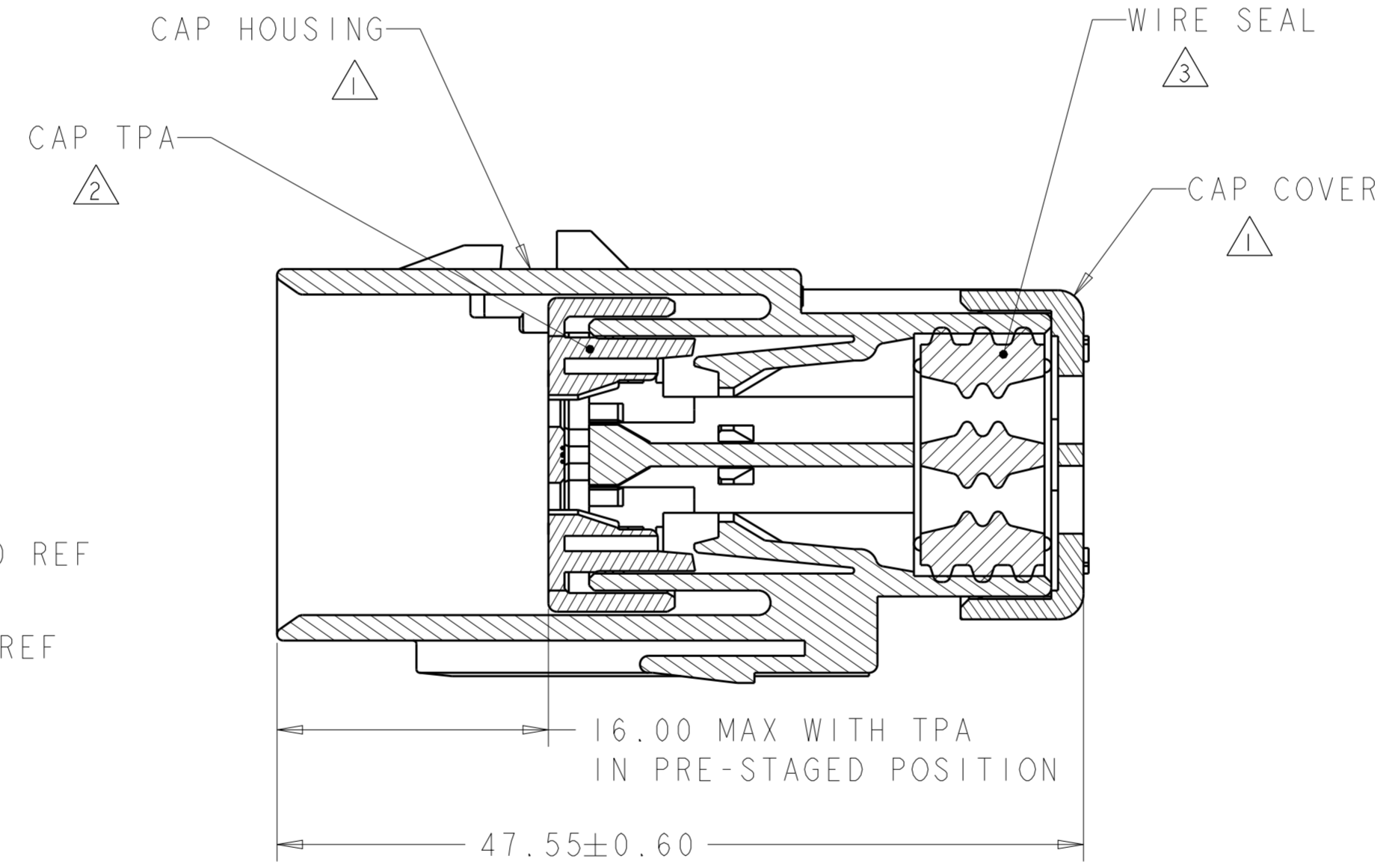


776434-3
SCALE 2:1

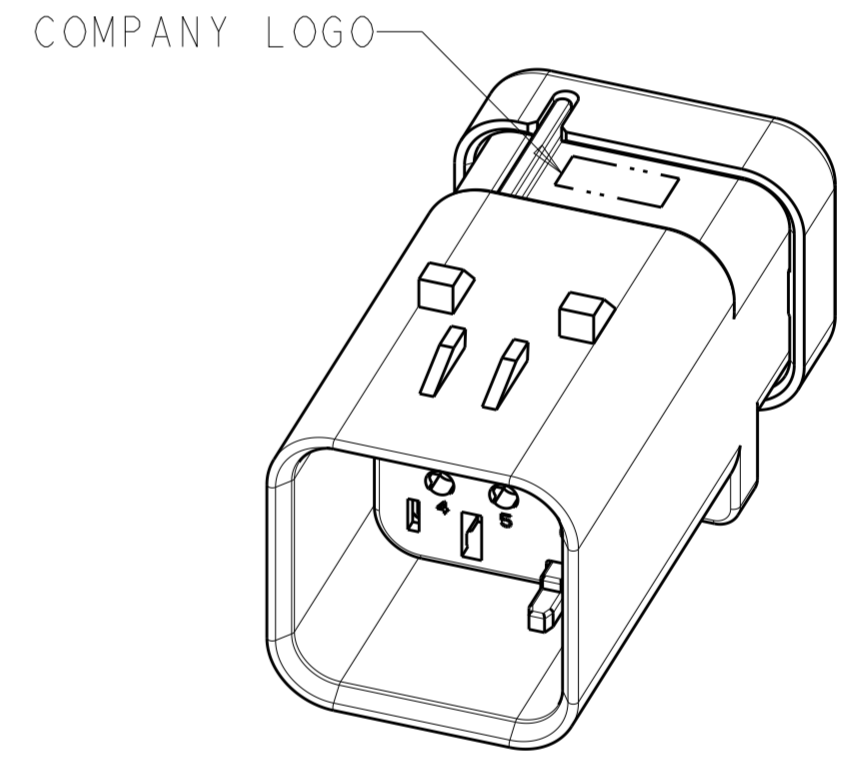
- ① MATERIAL: 15% GLASS FILLED THERMOPLASTIC
COLOR: BLACK
- ② MATERIAL: 15% GLASS FILLED THERMOPLASTIC
COLOR: (SEE TABLE)
- ③ MATERIAL: SILICONE
COLOR: MARINE BLUE



776434-1 SHOWN



SECTION A-A



SCALE 2:1

YELLOW	776434-3
GRAY	776434-2
RED	776434-1
TPA COLOR	PART NUMBER

THIS DRAWING IS A CONTROLLED DOCUMENT.		DWN AJ GRAFF 13JUN00	 TE Connectivity															
DIMENSIONS:		CHK R GREINER 03JAN02																
TOLERANCES UNLESS OTHERWISE SPECIFIED:		APVD M TRULLI 03JAN02																
mm		PRODUCT SPEC 108-2184																
<table border="1"> <tr> <td>0 PLC</td> <td>±</td> </tr> <tr> <td>1 PLC</td> <td>±</td> </tr> <tr> <td>2 PLC</td> <td>±</td> </tr> <tr> <td>3 PLC</td> <td>±</td> </tr> <tr> <td>4 PLC</td> <td>±</td> </tr> <tr> <td>ANGLES</td> <td>±</td> </tr> <tr> <td>FINISH</td> <td>±</td> </tr> </table>		0 PLC	±	1 PLC	±	2 PLC	±	3 PLC	±	4 PLC	±	ANGLES	±	FINISH	±	APPLICATION SPEC 114-13065	NAME CAP ASSEMBLY, 6 POSITION, DUAL ROW, AMPSEAL 16	
0 PLC	±																	
1 PLC	±																	
2 PLC	±																	
3 PLC	±																	
4 PLC	±																	
ANGLES	±																	
FINISH	±																	
MATERIAL	-	WEIGHT 15.5	SIZE A200779	DRAWING NO C-776434	RESTRICTED TO -													
Customer Drawing			SCALE 2:1	SHEET 1	REV D													