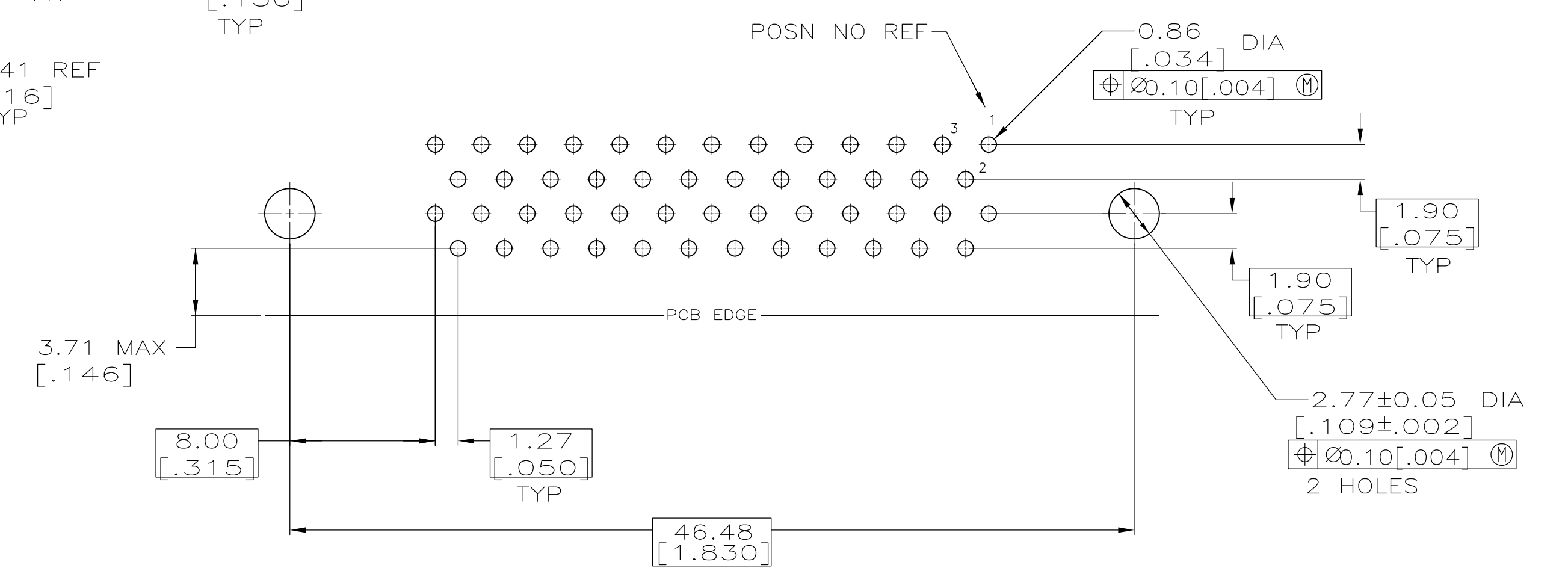
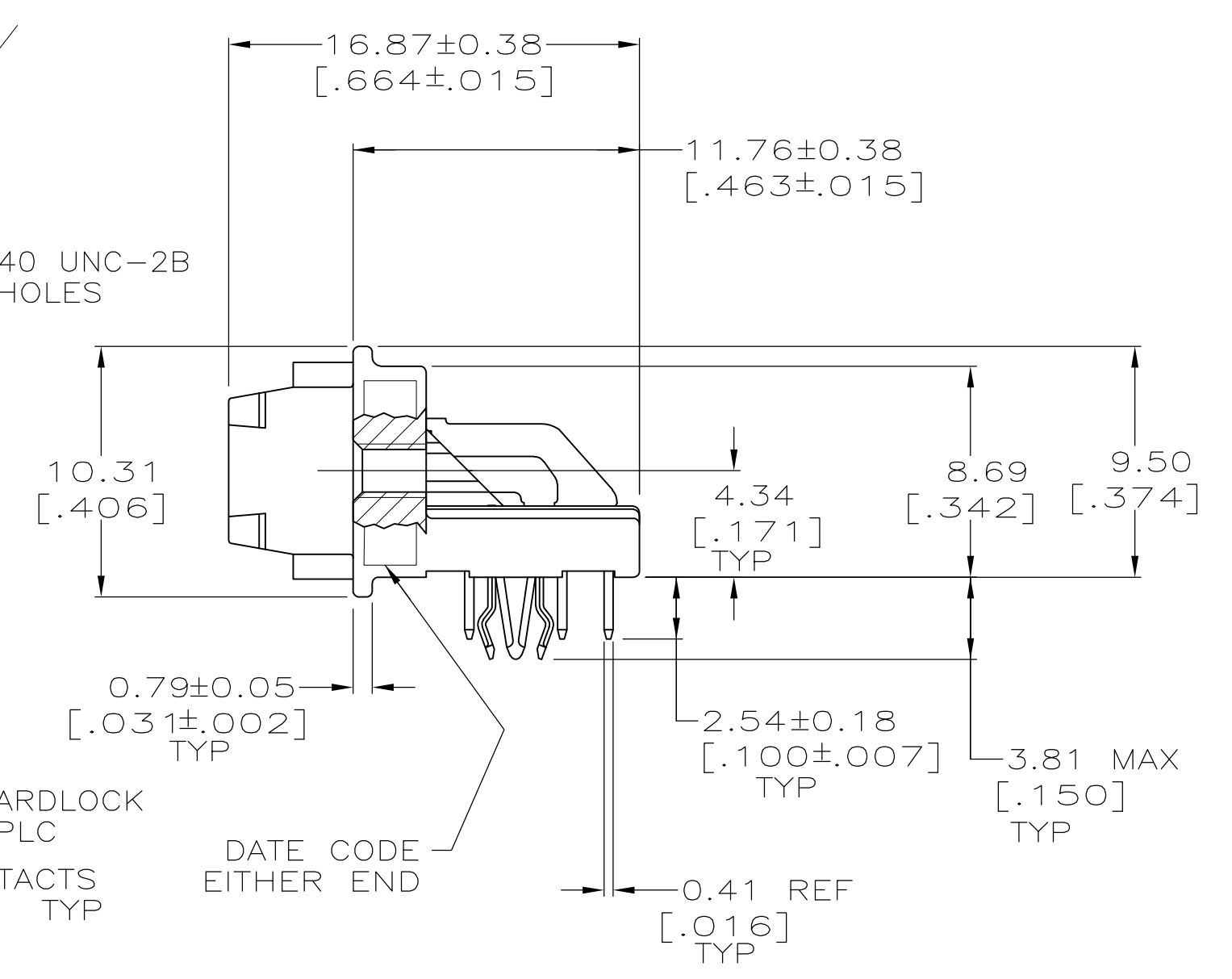
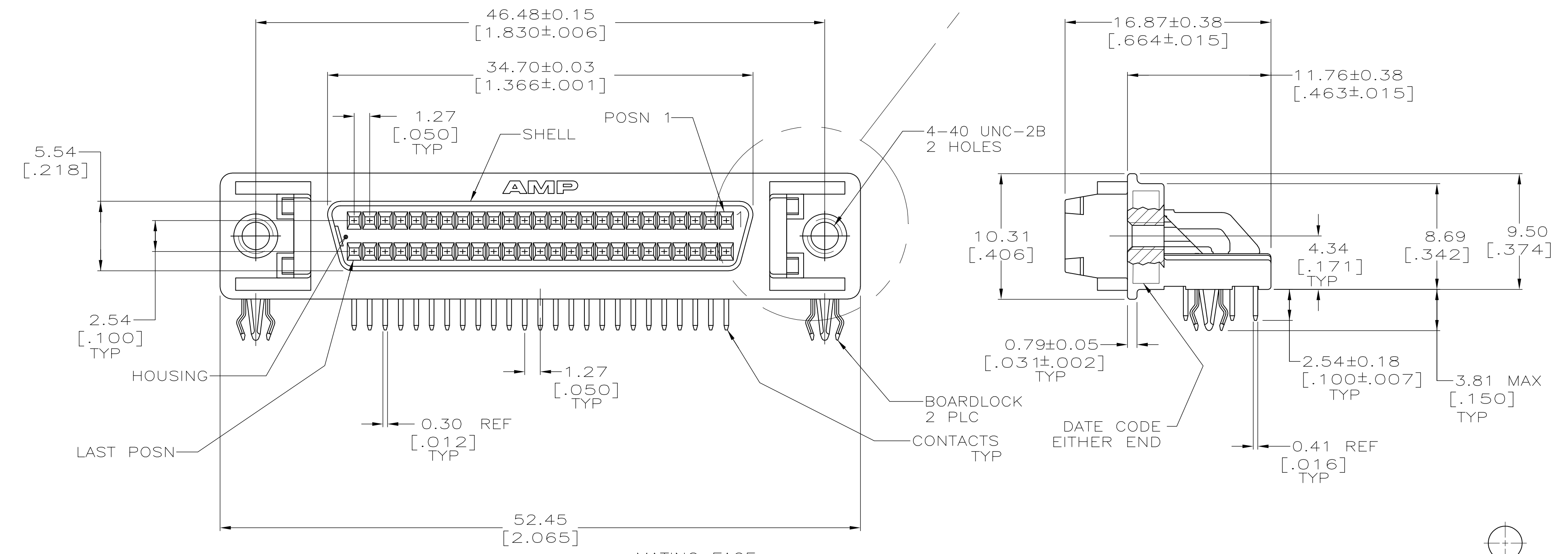
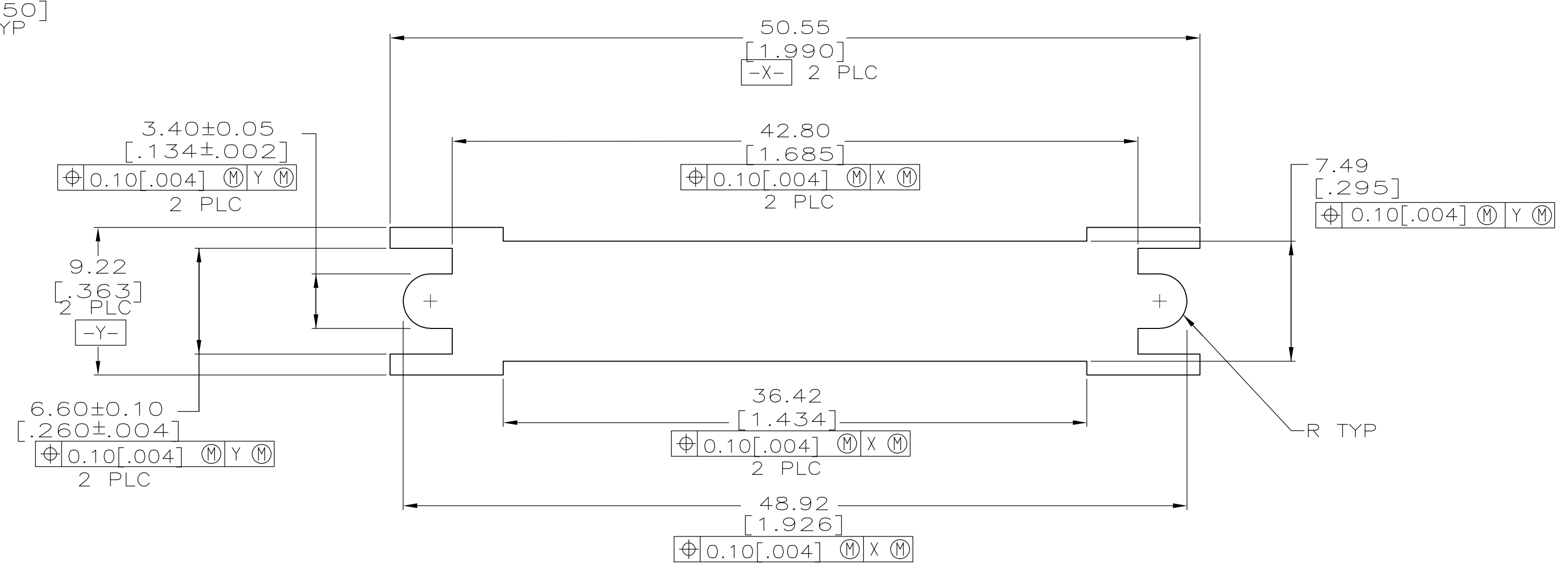
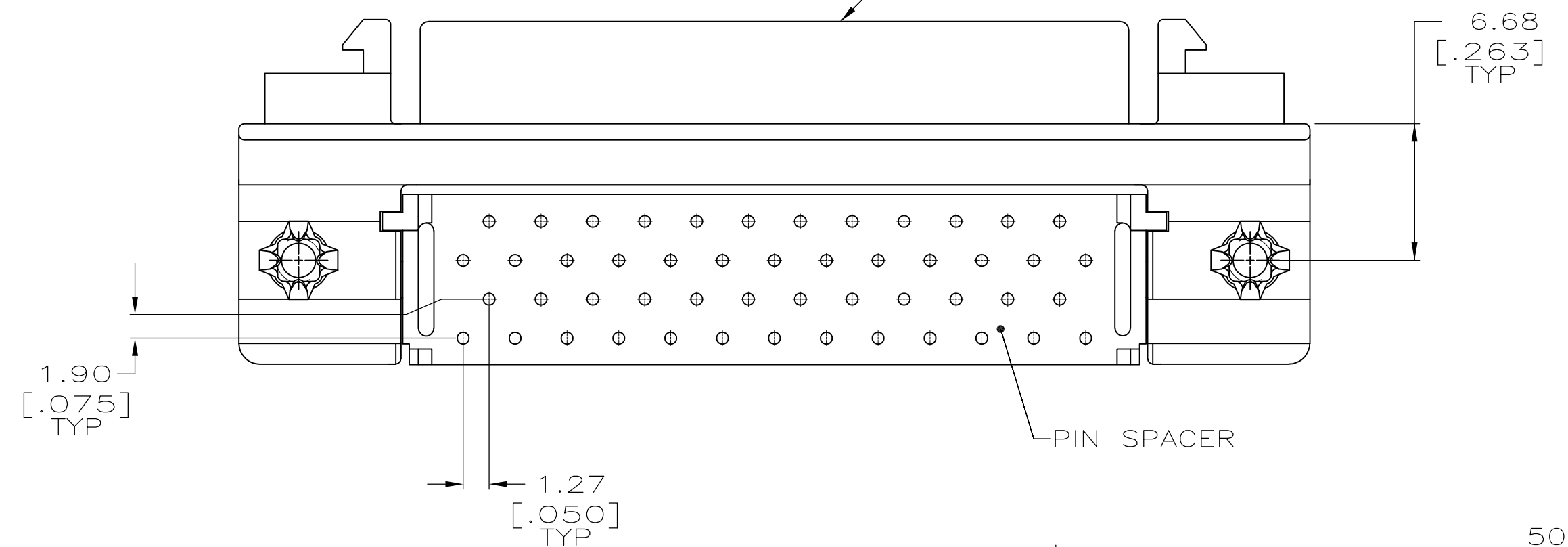


1 MATERIAL
 CONTACTS: PHOSPHOR BRONZE
 HOUSING & PIN SPACER: UL 94V-0 RATED, THERMOPLASTIC, BLACK
 BRACKET: ZINC
 SHELL: CARBON STEEL
 BOARDLOCKS: COPPER ALLOY.

2 FINISH
 CONTACTS: EITHER 0.76µm [.000030] MIN GOLD PLATE FOR A LENGTH OF 0.64 [.025] MAX, 0.13 [.005] MIN FROM MATING END OR GOLD FLASH OVER PALLADIUM NICKEL PLATE, 0.76µm [.000030] MIN TOTAL FOR A LENGTH OF 0.64 [.025] MAX, 0.13 [.005] MIN FROM MATING END. 3.81µm [.000150] MIN TIN-LEAD ON OPPOSITE END FOR A LENGTH OF 2.72 [.107] MIN, BOTH OVER 1.27µm [.000050] MIN NICKEL.
 SHELL: 5.08µm [.000200] MIN NICKEL OVER 1.27µm [.000050] MIN COPPER.
 BRACKET: 2.54µm [.000100] MIN NICKEL OVER 5.08µm [.000200] MIN COPPER.
 BOARDLOCK: 5.08µm [.000200] MIN TIN-LEAD OVER 1.27µm [.000050] MIN NICKEL.



P.C. BOARD MOUNTING DIMENSIONS
 CONNECTOR SIDE
 P.C. BOARD THICKNESS 1.57±0.20 [.062±.008]



RECOMMENDED PANEL CUTOUT

787266-5
 PART NUMBER

THIS DRAWING IS A CONTROLLED DOCUMENT.		DWN D. HARDY 08-26-94	Tyco Electronics Corporation Harrisburg, PA 17105-3608
DIMENSIONS: mm [INCHES]	TOLERANCES UNLESS OTHERWISE SPECIFIED:	CHK R. STONE 08-30-94	NAME F. MCCORKEL 8-31-94
Ø	0 PLC ± -	PRODUCT SPEC 108-1228	RECEPTACLE ASSEMBLY, SHIELDED, RIGHT ANGLE, 50 POSN, RAILED, .050 SERIES, AMPLIMITE
	1 PLC ± -	APPLICATION SPEC 114-40029	SIZE A1
	2 PLC ± 0.13 [.005]	RESTRICTED TO	
	3 PLC ± -	WEIGHT -	CAGE CODE 00779
	4 PLC ± -	DRAWING NO 787266	SCALE 4:1
MATERIAL	FINISH	CUSTOMER DRAWING	SHEET 1 OF 1
			REV M