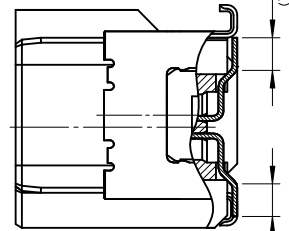
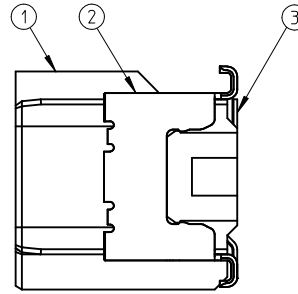
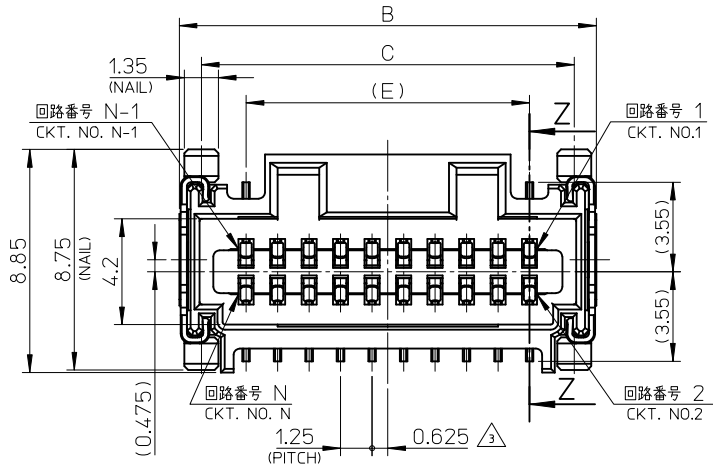
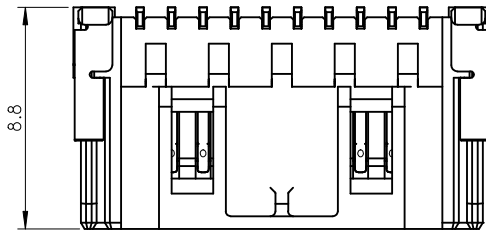
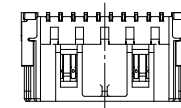


NOTES

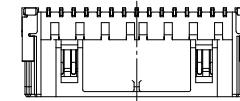
1. 嵌合相手: 503110-\*\*\*\*.  
MATE WITH: 503110-\*\*\*\*.
2. 端子テール部 及び ネイルの平坦度: 0.1MAX.  
TAIL AND NAIL COPLANARITY TO BE 0.1 MAX.
3. 極数/2=偶数に適用.  
APPLY FOR CKT. SIZE / 2 = EVEN.
4. 端子テール部 及び ネイルに錫めっきを使用しているため、  
外観に摺動痕が付く場合が御座います。  
THE WOUND OF FRICTION MIGHT ADHERE TO EXTERNALS  
BECAUSE THE TIN PLATING IS USED FOR THE TAIL AND NAIL.
5. 本製品のプラスチック部に黒点等が確認される場合や  
色合いが異なる場合がありますが、製品性能に影響はありません。  
THERE IS NO INFLUENCE IN THE PRODUCT PERFORMANCE THOUGH  
THE BLACK SPOT ETC. MIGHT BE CONFIRMED TO THE PLASTIC PART  
OF THIS PRODUCT AND THE SHADE MIGHT BE DIFFERENT.
6. ELV 及び RoHS 適合品  
ELV AND ROHS COMPLIANT



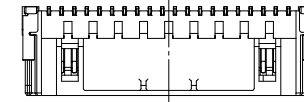
SECTION Z-Z



20ckt.



30ckt.



40ckt.

極数の種類 (正面図)

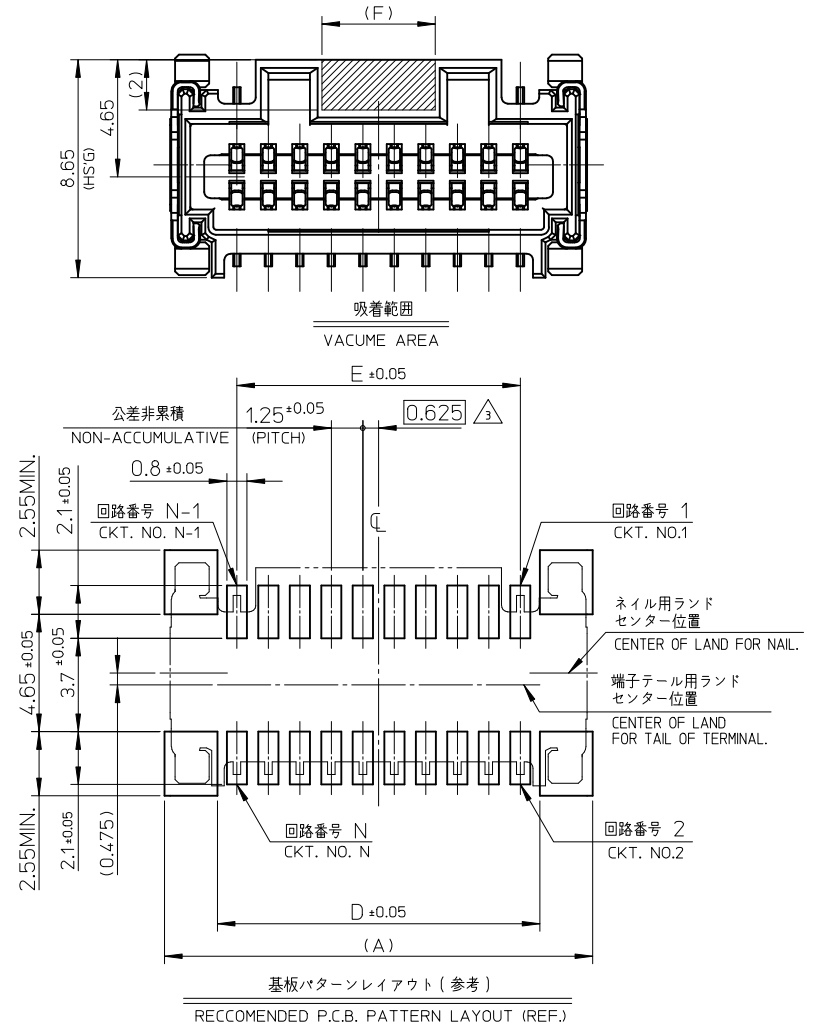
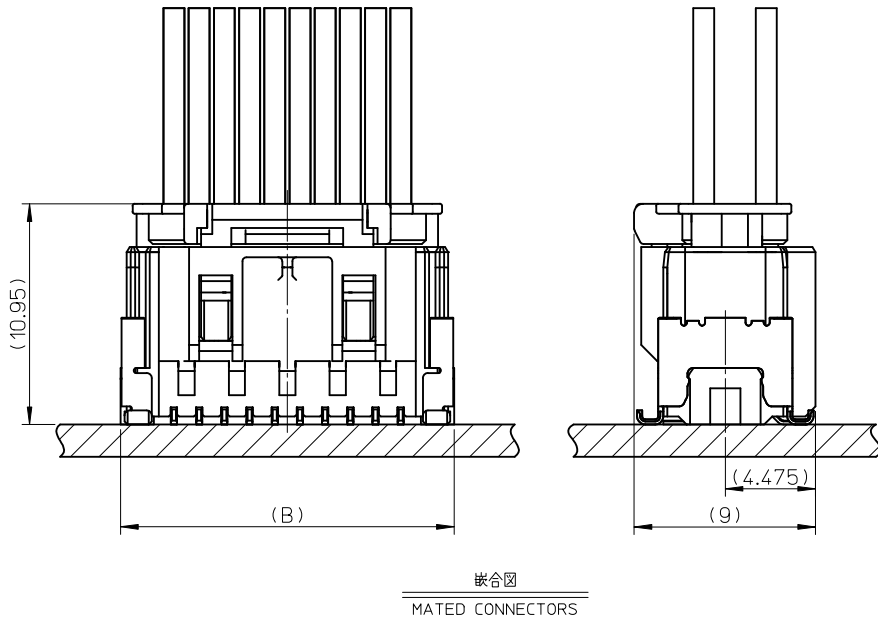
KIND OF CKT. NO. (FRONT VIEW)

17	23.75	25.3	27.3	29.05	29.5	501931-4070	40
10.75	17.5	19.05	21.05	22.8	23.25	501931-3070	30
4.5	11.25	12.8	14.8	16.55	17	501931-2070	20
F	E	D	C	B	A	EMBOSSED PACKAGE オーダー番号 ORDER No.	極数 CIRCUITS

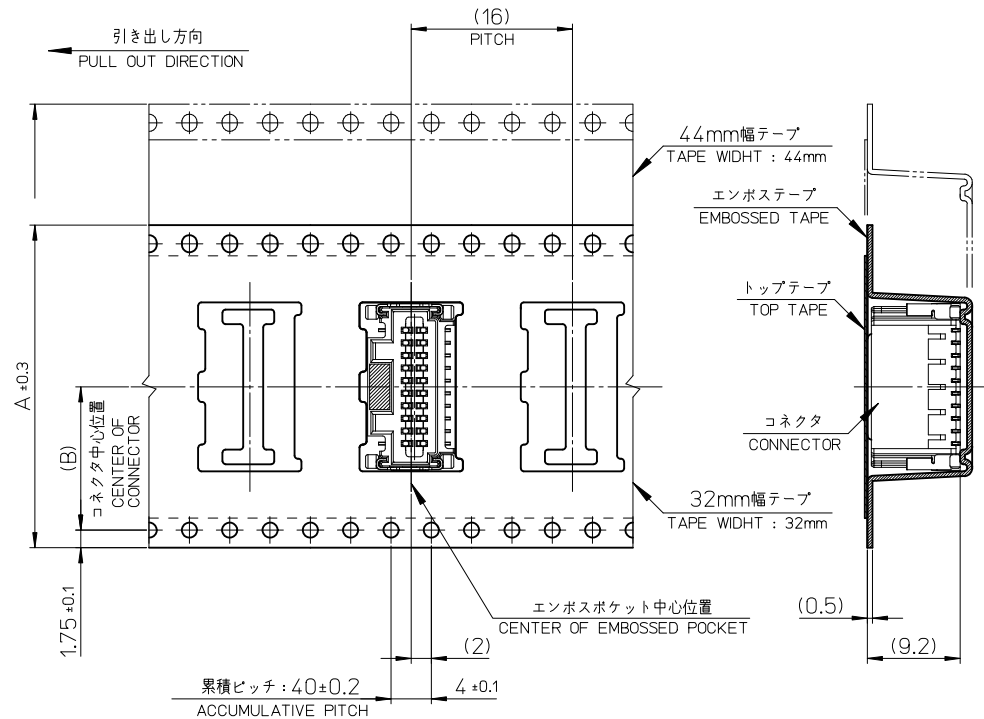
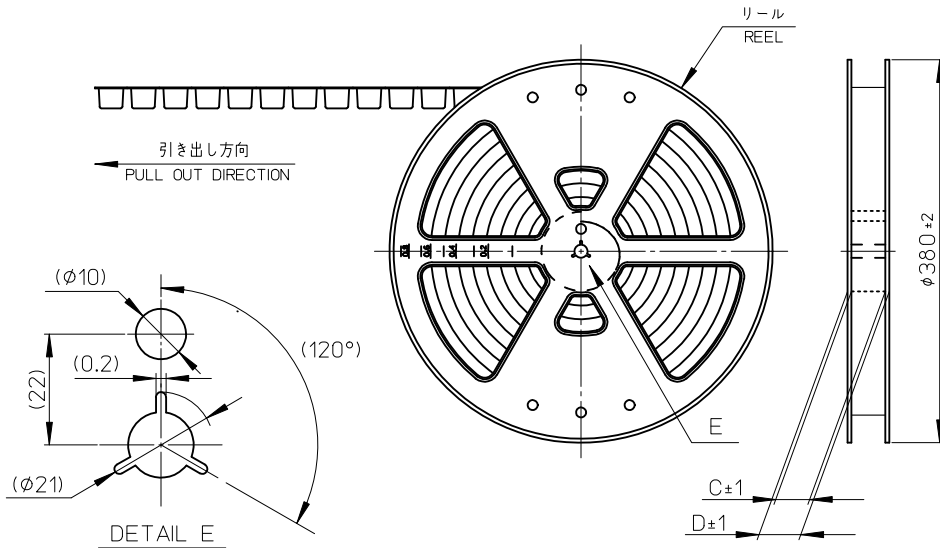
CONNECTOR SERIES No. 501931-\*\*00

番号 NO.	部品 PART	材質 MATERIAL
①	ハウジング HOUSING	ポリアミド (PA) UL94V-0 色: 自然色 POLYAMIDE (PA) UL94V-0 COLOR: NATURAL
②	ターミナル TERMINAL	銅合金 COPPER ALLOY 金めっき (接点部): 0.1 micro-meter MIN. GOLD (CONTACT AREA) 錫めっき (テール部): 1.0 micro-meter MIN. TIN (TAIL AREA) ニッケルめっき (下地): 1.0 micro-meter MIN. NICKEL (UNDER PLATING)
③	ネイル NAIL	銅合金 COPPER ALLOY 錫めっき: 1.0 micro-meter MIN. TIN ニッケルめっき (下地): 1.0 micro-meter MIN. NICKEL (UNDER PLATING)

REVISED EC NO: J2010-1115 DRWN: NYOSHIKAWA 2009/12/03 CHKD: K. ASAKAWA 2009/12/07 APPR: NUKITA 2009/12/07	DESCRIPTION	GENERAL TOLERANCES (UNLESS SPECIFIED)		DIMENSION STYLE MM ONLY		SCALE 5:1	DESIGN UNITS METRIC	THIRD ANGLE PROJECTION	
		10 UNDER	±0.2	DRAWN BY T. MIYAZAKI	DATE 2006/03/13	TITLE 1.25 W/B CONN. DUAL S/T REC. ASS'Y			
		10 OVER 30 UNDER	±0.25	CHECKED BY K. ASAKAWA	DATE 2006/03/13	MOLEX INCORPORATED DOCUMENT NO. SD-501931-001 SHEET NO. 1 OF 2			
		30 OVER	±0.3	APPROVED BY S. ICHIKAWA	DATE 2006/03/13				
REV	ANGULAR ±3 ° DRAFT WHERE APPLICABLE MUST REMAIN WITHIN DIMENSIONS	SIZE A3	THIS DRAWING CONTAINS INFORMATION THAT IS PROPRIETARY TO MOLEX INCORPORATED AND SHOULD NOT BE USED WITHOUT WRITTEN PERMISSION						

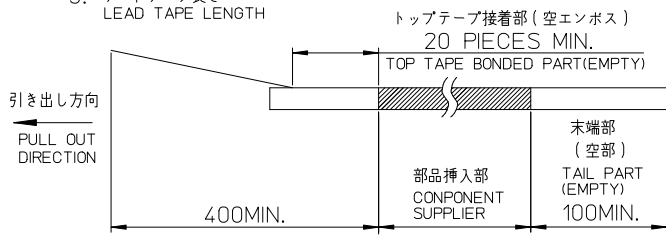


REVISED EC NO: J2010-1115 DRWN: YOSHIKAWA 2009/12/03 CHK'D: ASAKAWA 2009/12/07 APPR: NUKITA 2009/12/07	GENERAL TOLERANCES (UNLESS SPECIFIED)		DIMENSION STYLE	SCALE	DESIGN UNITS	THIRD ANGLE PROJECTION	
			MM ONLY	5:1	METRIC		
	10 UNDER	± 0.2	DRAWN BY	DATE	TITLE	1.25 W/B CONN. DUAL S/T REC. ASS'Y	
	10 OVER 30 UNDER	± 0.25	T. MIYAZAKI	2006/03/13			
	30 OVER	± 0.3	CHECKED BY	DATE			
	ANGULAR ± 3 °	K. ASAKAWA	2006/03/13				
	DRAFT WHERE APPLICABLE MUST REMAIN WITHIN DIMENSIONS	APPROVED BY	DATE	MOLEX INCORPORATED			
		S. ICHIKAWA	2006/03/13	DOCUMENT NO. SD-501931-001		SHEET NO. 2 OF 2	
		MATERIAL NO.	SEE SHEET 1				
		SIZE	THIS DRAWING CONTAINS INFORMATION THAT IS PROPRIETARY TO MOLEX INCORPORATED AND SHOULD NOT BE USED WITHOUT WRITTEN PERMISSION				
		A3					



**NOTES**

- 製品詳細寸法については、SD-501931-001 を参照下さい。  
PLEASE REFER TO SD-501931-001 FOR THE DETAILED DIMENSION OF THE CONNECTOR.
- 梱包数量 : 550個  
NUMBER OF CONNECTORS : 550 PIECES/REEL.
- リードテープ長さ  
LEAD TAPE LENGTH



- 材料 MATERIAL  
キャリアテープ: ポリスチレン (PS)  
CARRIER TAPE: POLYSTYRENE (PS)  
トップテープ: ポリエステル (PET)、その他  
TOP TAPE: POLYESTER (PET)、OTHER  
リール: ポリスチレン (PS) <リサイクル材を含む>  
REEL: POLYSTYRENE (PS) <RECYCLE MATERIAL CONTAINED>
- ELV 及び RoHS 適合品  
ELV AND RoHS COMPLIANT

49.4	45.4	20.2	44	44	501931-4070	40
49.4	45.4	20.2	44	44	501931-3070	30
37.4	33.4	14.2	32	32	501931-2070	20
D	C	B	A	エンボステープ幅 A WIDTH OF TAPE	EMBOSSSED PACKAGE オーダー番号 ORDER No.	極数 CIRCUITS

<b>RELEASED</b> EC NO: J2010-1115 DRWN: YOSHIKAWA 2009/12/03 CHKD: K. ASAKAWA 2009/12/07 APPR: NUKITA 2009/12/07	DESCRIPTION GENERAL TOLERANCES (UNLESS SPECIFIED) DIMENSION STYLE <b>MM ONLY</b> SCALE --- DESIGN UNITS METRIC THIRD ANGLE PROJECTION	10 UNDER ± 0.2 10 OVER 30 UNDER ± 0.25 30 OVER ± 0.3	DRAWN BY T. MIYAZAKI DATE 2006/03/13	TITLE 1.25 W/B CONN. DUAL S/T REC. EMBTP PKG
		ANGULAR ± 3 ° DRAFT WHERE APPLICABLE MUST REMAIN WITHIN DIMENSIONS	CHECKED BY K. ASAKAWA DATE 2006/03/13	CONNECTOR SERIES No. 501931-***00
		SEE TABLE	APPROVED BY S. ICHIKAWA DATE 2006/03/13	MOLEX INCORPORATED
		MATERIAL NO. SEE TABLE	DOCUMENT NO. SD-501931-002	SHEET NO. 1 OF 1