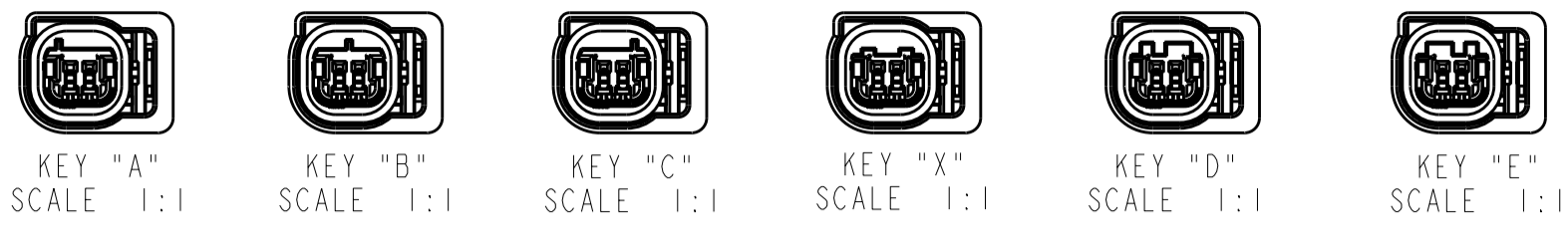
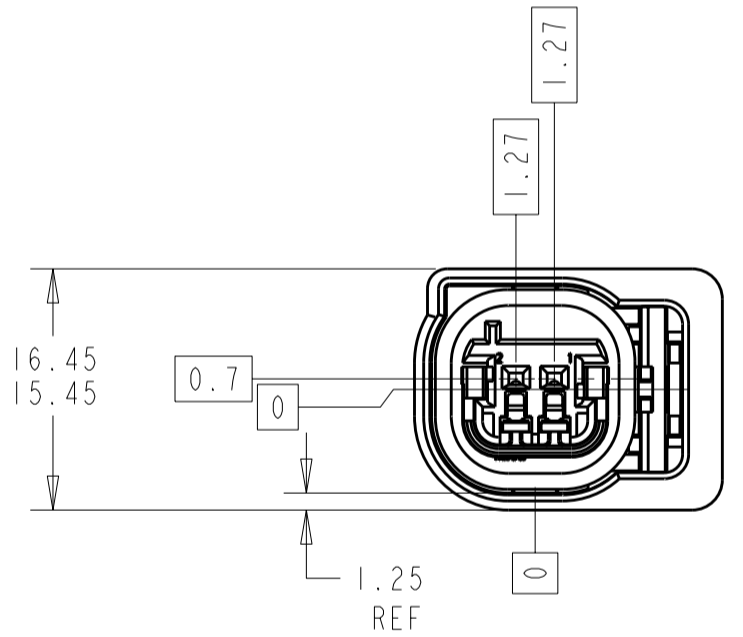
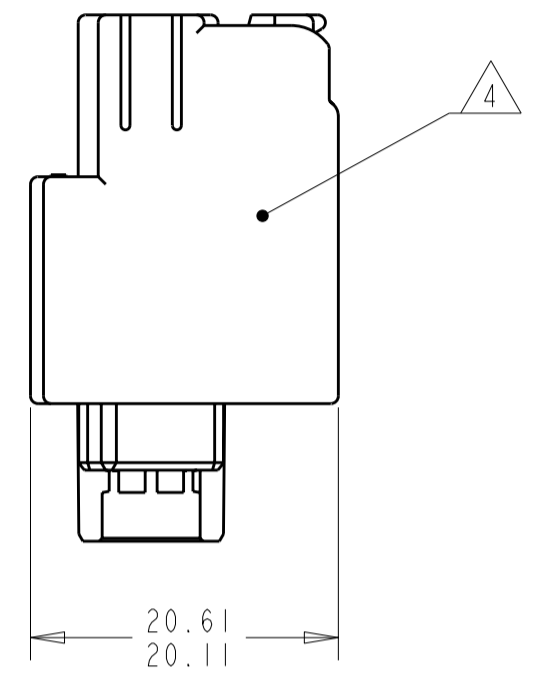


THIS DRAWING IS UNPUBLISHED. RELEASED FOR PUBLICATION  
 © COPYRIGHT 20 BY TYCO ELECTRONICS CORPORATION. ALL RIGHTS RESERVED.

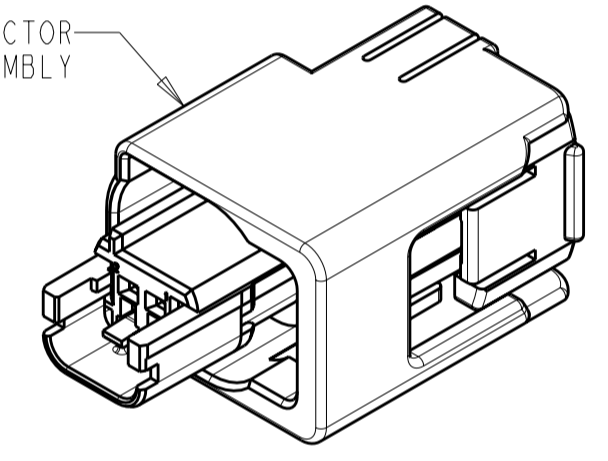
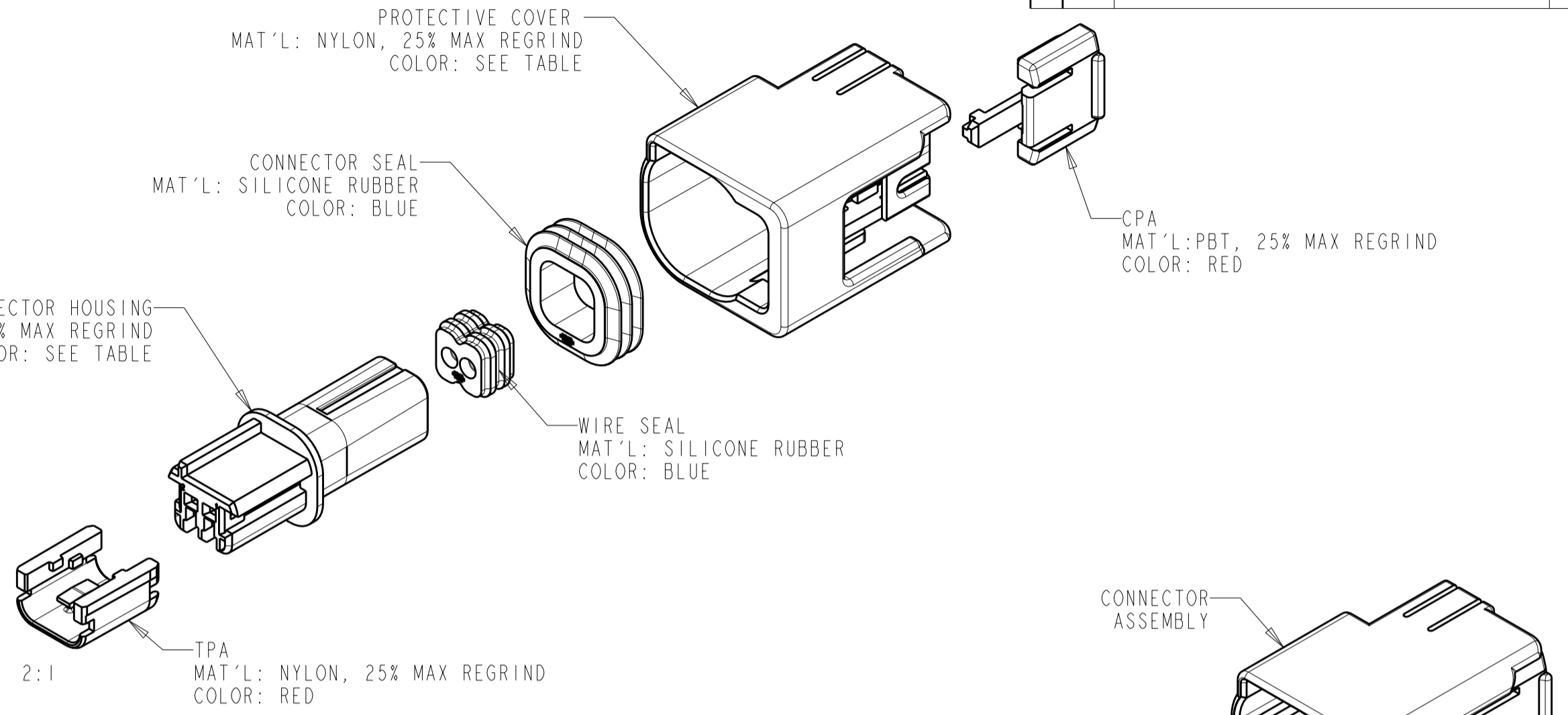
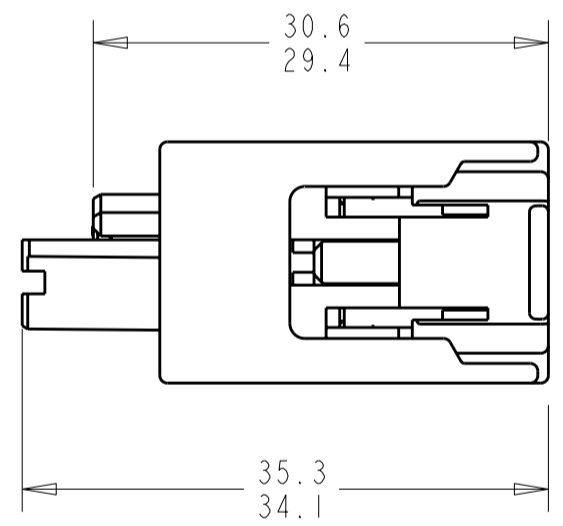
LOC	DIST	REVISIONS			
P	LTR	DESCRIPTION	DATE	DWN	APVD
GE	00				
	O	RELEASED PER EC 0K80-0169-03	20JUN2003	DJA	TMS
	A	ADDED: -21 PER EC 0K80-0180-04	02JUN2004	DLD	CJS
	A1	REVISED PER ECO-07-025000	01NOV2007	DLD	CJS
	A2	REVISED PER ECO-08-018575	30JUL2008	DLD	CJS



KEYING CONFIGURATION



THE FEMALE CONTACT SPRING FINGER ENGAGES IN THE VERTICAL DIRECTION IN THIS VIEW



SCALE 2:1

- 1 TPA SHOWN IN OPEN POSITION.
- 2 A "X" IN THIS TABLE INDICATES THAT THE CIRCUIT IS BLOCKED AND WILL NOT ALLOW INSERTION OF TERMINAL. A "-" INDICATES THAT INSERTION OF TERMINAL CAN OCCUR.
- 3 PART NUMBER 1438426-1 SHOWN.
- 4 AMP PART NUMBER AND DATE CODE MARKED IN THIS GENERAL LOCATION.
- 5 FOR SAFTY SYSTEM INNER & OUTER HOUSING COLOR: YELLOW.
- 6 INNER & OUTER HOUSING COLOR: BLACK.
- 7 INNER & OUTER HOUSING COLOR: GRAY.

8. TERMINALS SOLD SEPARATELY. SEE TYCO ELECTRONICS RECOMMENDED PART NUMBER 1326028 (GOLD PLATED) OR 638551 (TIN PLATED) FOR TERMINATION AND REELING OPTIONS.

FORCE REQUIREMENT	MIN(N)	MAX(N)
TPA ENGAGE PRESET TO FULL INSTALL	5	55
TPA DISENGAGE FULL TO PRESET	15	60
TPA REMOVAL FROM HOUSING	15	-
CPA ENGAGE PRESET TO LOCKED POSITION	-	30
CPA DISENGAGE LOCKED TO PRESET	-	30
CPA REMOVAL FROM HOUSING	15	-

6	X	X	A	2-1438426-1
6	-	-	X	1438426-7
6	-	-	E	1438426-6
6	-	-	D	1438426-5
5	-	-	C	1438426-4
7	-	-	B	1438426-3
6	X	-	A	1438426-2
6	-	-	A	1438426-1
NOTES	CIRCUIT 2    CIRCUIT 1		KEY CONFIGURATION (DRAWING ZONE D3)	PART NUMBER
	USED CIRCUIT PATTERN			

THIS DRAWING IS A CONTROLLED DOCUMENT FOR TYCO ELECTRONICS CORPORATION. IT IS SUBJECT TO CHANGE AND THE CONTROLLING ENGINEERING ORGANIZATION SHOULD BE CONTACTED FOR THE LATEST REVISION.

DWN: D. AHERON 11JUN03  
 CHK: M. SHORE 11JUN03  
 APVD: M. SHORE 11JUN03

Tyco Electronics  
 Harrisburg, PA 17105-3608

NAME: CONNECTOR ASSEMBLY, FEMALE, 2 POSITION SEALED, 0.64mm

PRODUCT SPEC: -  
 APPLICATION SPEC: SAE/USCAR-2 8/97

SIZE: A2    CAGE CODE: 00779    DRAWING NO: 1438426    RESTRICTED TO: -

MATERIAL: -    FINISH: -    WEIGHT: -

CUSTOMER DRAWING    SCALE: 2:1    SHEET: 1 OF 1    REV: A2