

6

5

4

3

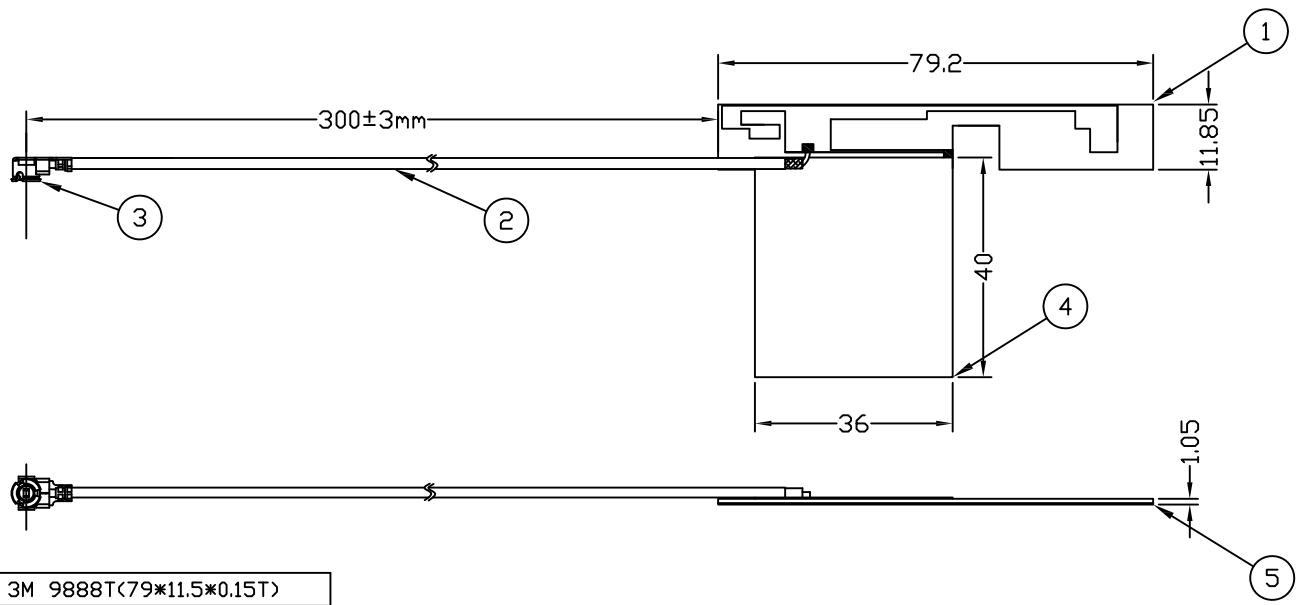
2

1

Rev	AWO #	Description	Date	Appr
-		RELEASED	11/15/18	

APPROVED: \_\_\_\_\_  
 DATE: \_\_\_\_\_ TITLE: \_\_\_\_\_

CUSTOM CABLE ASSEMBLIES ARE NON-CANCELLABLE / NON-RETURNABLE



5	TISSUE TAPE	3M 9888T(79*11.5*0.15T)
4	COPPERFOIL TAPE	COPPERFOIL TAPE(40*36*0.1T)
3	CONNECTOR	IPEX FORØ1.37
2	CABLE	Ø1.37 CABLE BLACK
1	PCB	FR-4
ITEM	PART NAME	Material

**SPECIFICATION**

**ELECTICAL PROPERTIES**  
 FREQUENCY RANGE: 704~960/1710~2690 MHz  
 VSWR: 2.0  
 IMPEDANCE: 50Ω  
 GAIN: 2dBi  
**PHYSICAL PROPERTIES**  
 WIRE: OD1.37 CABLE BLACK  
 CONNECTOR: IPEX  
 PCB: FR4  
 COPPERFOIL TAPE: 40\*36\*0.1T  
 TISSUE TAPE: 3M9888T  
 OPERATING TEMPERATURE: -40 ~ +80  
 STORAGE TEMPERATURE: -45 ~ +85  
**ENVIRONMENTAL:**  
 LEAD FREE, ROHS COMPLIANT



UNLESS OTHERWISE SPECIFIED  
 ALL DIMENSIONS ARE MILLIMETERS  
 TOLERANCES: EXCEPT AS NOTED

	MM
X	± 0.25
X.X	± 0.15
X.XX	± 0.10

APPROVALS		DATE
DRAWN	AY	11/15/18
CHECKED	AC	11/15/18
APPROVED		

**ADAM TECH**  
 INTERCONNECTS

909 Rahway Avenue,  
 Union, NJ 07083  
 Phone: 908-687-5000  
 Fax: 908-687-5710

TITLE: **LTE EMBEDDED ANTENNA**

SIZE	PART NO.	REV.
X	ANT-DK-LTE0EM58-I0300	-

REF: S00291T    SCALE: NTS    SHEET 1 OF 1

6

5

4

3

2

1