

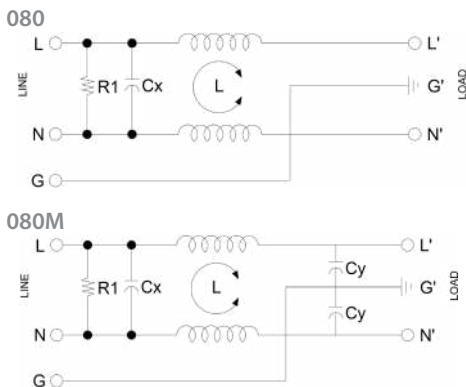
080(M)

POWER ENTRY AND OUTLET FILTERS (GENERAL PURPOSE & MEDICAL)

FEATURES

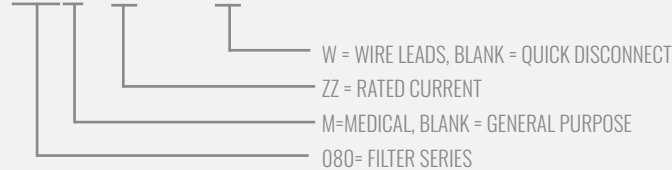
- » Rated currents include **1A, 3A, 6A, 8A, 10A, 15A and 20A**
- » Single Stage
- » Available with quick disconnect tabs and wire leads options
- » General Purpose & Low Leakage (M)edical options
- » Compact design
- » Easy to use IEC inlet and outlet power entry
- » Agency Approvals *UL and EN 60939, CSA C22.2*
- » Y-cap value can be adjusted

ELECTRICAL SCHEMATIC



HOW TO ORDER

080M.0ZZ01.00-T



NOTE: USE ANY COMBINATOR OF **M, ZZ** AND **T**

E.G. **080.00100.00** (1A GENERAL PURPOSE VERSION) | **080SM.00300.00** (3A LOW LEAKAGE MEDICAL VERSION)



SPECIFICATIONS

OPERATING FREQUENCY	50/60Hz
IEC INLET	C14: 1-15A, C20:16/20A
MAX. OPERATING VOLTAGE	250VAC +10%
AMBIENT TEMPERATURE	-25 TO 40°C
CLIMATIC CATEGORY	25/85/21
TERMINALS (-T)	0.25" TABS W: WIRE LEADS
TYP. WEIGHT, LBS (KG)	0.10 (0.04)

TYPICAL LEAKAGE CURRENT 080

@ 250 VAC 50 Hz	0 - 0.42 mA Max.
@ 120 VAC 60 Hz	0 - 0.23 mA Max.

TYPICAL LEAKAGE CURRENT 080M

@ 250 VAC 50 Hz	0 - 10uA Max.
@ 120 VAC 60 Hz	0 - 5uA Max.

HIPOT RATINGS

LINE TO LINE	1450 VDC
LINE TO GROUND	2250 VDC

TYPICAL APPLICATIONS

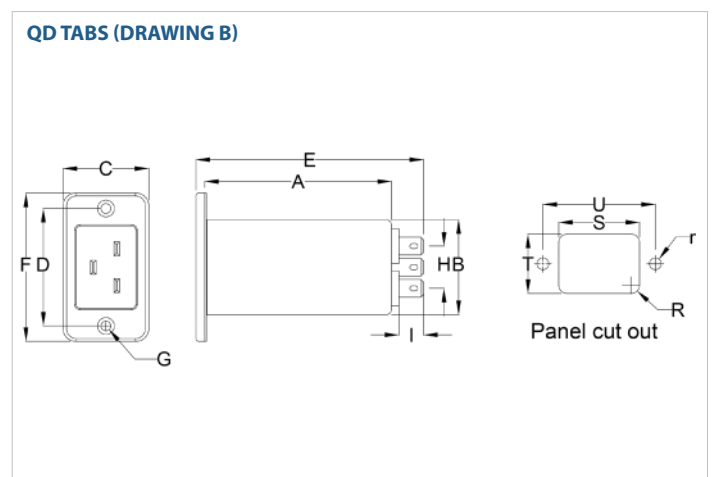
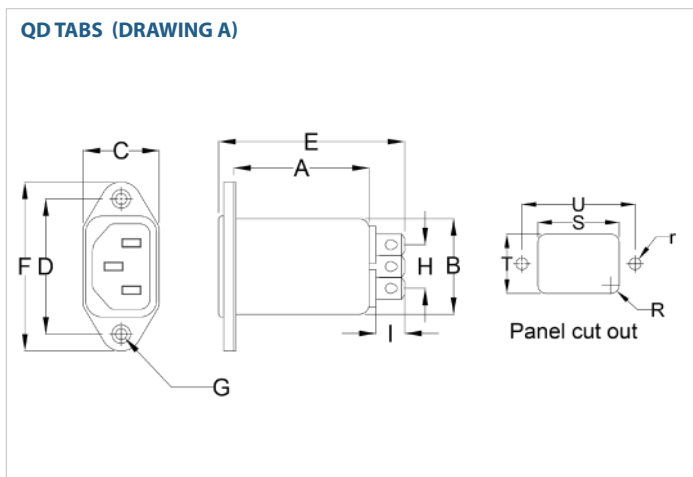
- ✓ Household appliances and equipment
- ✓ Small medical equipment
- ✓ Portable electrical and electronic equipment
- ✓ Test and measurement/lab equipment
- ✓ Rack mounted equipment

080(M)

POWER ENTRY AND OUTLET FILTERS (GENERAL PURPOSE & MEDICAL)

MODEL NO.	RATED CURRENT, A @ 40° C	TERMINAL OPTIONS		APPLICATION PURPOSE		MAX. DIMENSIONS" (MM)		
		(QD) OUTPUT	(W) OUTPUT	GENERAL	MEDICAL	WIDTH	(LENGTH)	HEIGHT
080.00101.00	1	✓	✓	✓		1.11"(28)	1.57"(40)	0.89"(23)
080.00301.00	3	✓	✓	✓		1.11"(28)	1.57"(40)	0.89"(23)
080.00601.00	6	✓	✓	✓		1.11"(28)	1.57"(40)	0.89"(23)
080.00801.00	8	✓	✓	✓		1.11"(28)	1.57"(40)	0.89"(23)
080.01001.00	10	✓	✓	✓		1.11"(28)	1.57"(40)	0.89"(23)
080.01501.00	15	✓	✓	✓		1.11"(28)	1.57"(40)	0.89"(23)
080.01502.00	15	✓	✓	✓		1.32"(34)	2.11"(54)	1.14"(29)
080.02001.00	20	✓	✓	✓		1.33"(34)	2.62"(67)	1.20"(31)
080.02002.00	20	✓	✓	✓		1.55"(39)	2.62"(67)	1.37"(35)
080M.00101.00	1	✓	✓		✓	1.11"(28)	1.57"(40)	0.89"(23)
080M.00301.00	3	✓	✓		✓	1.11"(28)	1.57"(40)	0.89"(23)
080M.00601.00	6	✓	✓		✓	1.11"(28)	1.57"(40)	0.89"(23)
080M.00801.00	8	✓	✓		✓	1.11"(28)	1.57"(40)	0.89"(23)
080M.01001.00	10	✓	✓		✓	1.11"(28)	1.57"(40)	0.89"(23)
080M.01502.00	15	✓	✓		✓	1.32"(34)	2.11"(54)	1.14"(29)
080M.02001.00	20	✓	✓		✓	1.33"(34)	2.62"(67)	1.20"(31)
080M.02002.00	20	✓	✓		✓	1.55"(39)	2.62"(67)	1.37"(35)

080(M) MECHANICAL OUTLINES (MM)



080(M)

POWER ENTRY AND OUTLET FILTERS (GENERAL PURPOSE & MEDICAL)

SERIES	(A)	B	C	D	E	F	G	H	I	J	K	L	M	R
QD TABS (A) (1-15A)	1.57" (40)	1.11" (28)	0.89" (23)	1.57" (40)	2.17" (55)	1.97" (50)	2*3.3	0.51" (13)	0.33" (9)	1.57" (40)	1.14" (29)	0.83" (21)	0.12" (3)	0.13" (3)
QD TABS (B) (15A)	2.11" (54)	1.32" (34)	1.14" (29)	1.57" (40)	2.66" (68)	1.98" (50)	2*4.0	0.59" (15)	0.35" (9)	1.57" (40)	1.38" (35)	1.04" (27)	0.12" (3)	0.17" (4)
QD TABS (B) (20A)	2.62" (67)	1.33" (34)	1.20" (31)	1.65" (42)	3.17" (81)	2.09" (53)	2*4.0	0.59" (15)	0.35" (9)	1.65" (42)	1.38" (35)	1.04" (27)	0.12" (3)	0.17" (4)
QD TABS (B) (20A)	2.62" (67)	1.55" (39)	1.37" (35)	1.77" (45)	3.17" (81)	2.15" (55)	2*4.0	0.59" (15)	0.35" (9)	1.77" (45)	1.61" (41)	1.26" (32)	0.12" (3)	0.17" (4)

TYPICAL TOLERANCE: +/-0.02" (0.50MM)

TYPICAL INSERTION LOSS, dB (50/50 Ohm)

080 INSERTION LOSS

Amps	Freq (MHz)	0.15	0.5	1	10	30
1	CM (dB)	35.0	45.0	57.0	57.0	50.0
	DM (dB)	8.0	17.0	23.0	35.0	30.0
3	CM (dB)	31.0	40.0	52.0	52.0	50.0
	DM (dB)	8.0	17.0	23.0	35.0	30.0
6	CM (dB)	17.0	30.0	38.0	45.0	40.0
	DM (dB)	8.0	17.0	23.0	35.0	30.0
8	CM (dB)	13.0	25.0	35.0	40.0	35.0
	DM (dB)	8.0	17.0	23.0	35.0	30.0
10	CM (dB)	9.0	20.0	30.0	35.0	30.0
	DM (dB)	8.0	17.0	23.0	35.0	30.0
15	CM (dB)	9.0	13.0	23.0	30.0	40.0
	DM (dB)	8.0	17.0	23.0	35.0	30.0
20	CM (dB)	13.0	18.0	24.0	34.0	40.0
	DM (dB)	8.0	17.0	23.0	35.0	30.0

080(M)

POWER ENTRY AND OUTLET FILTERS (GENERAL PURPOSE & MEDICAL)

TYPICAL INSERTION LOSS, dB (50/50 Ohm)

080M

Amps	Freq (MHz)	0.15	0.5	1	10	30
1	CM (dB)	35.0	45.0	52.0	50.0	45.0
	DM (dB)	8.0	17.0	23.0	35.0	30.0
3	CM (dB)	31.0	40.0	48.0	50.0	45.0
	DM (dB)	8.0	17.0	23.0	35.0	30.0
6	CM (dB)	17.0	27.0	34.0	43.0	38.0
	DM (dB)	8.0	17.0	23.0	35.0	30.0
8	CM (dB)	13.0	24.0	29.0	37.0	31.0
	DM (dB)	8.0	17.0	23.0	35.0	30.0
10	CM (dB)	9.0	19.0	25.0	30.0	25.0
	DM (dB)	8.0	17.0	23.0	35.0	30.0
15	CM (dB)	9.0	10.0	12.0	12.0	12.0
	DM (dB)	8.0	17.0	23.0	35.0	30.0
20	CM (dB)	10.0	10.0	12.0	12.0	12.0
	DM (dB)	8.0	17.0	23.0	35.0	30.0