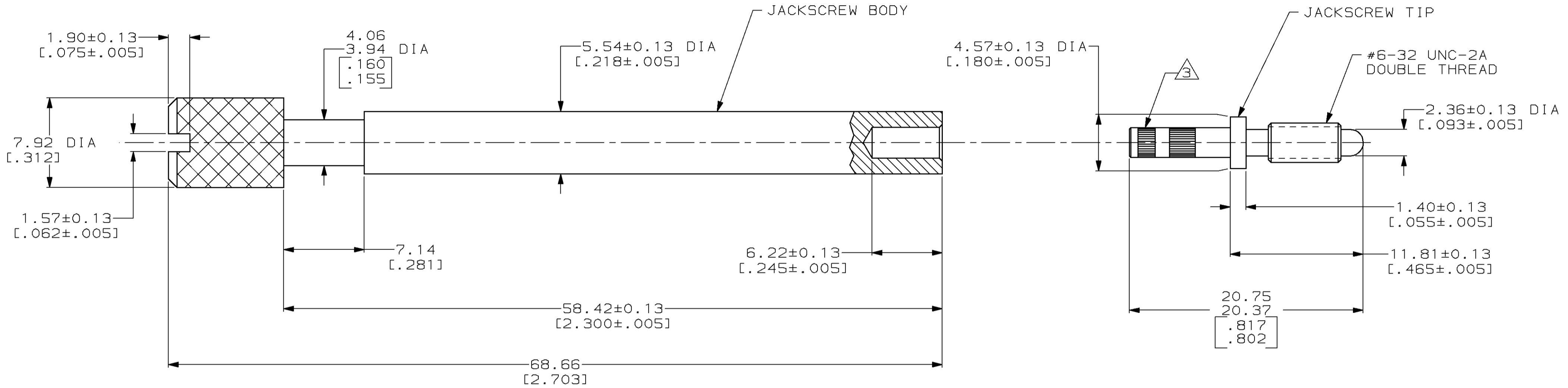
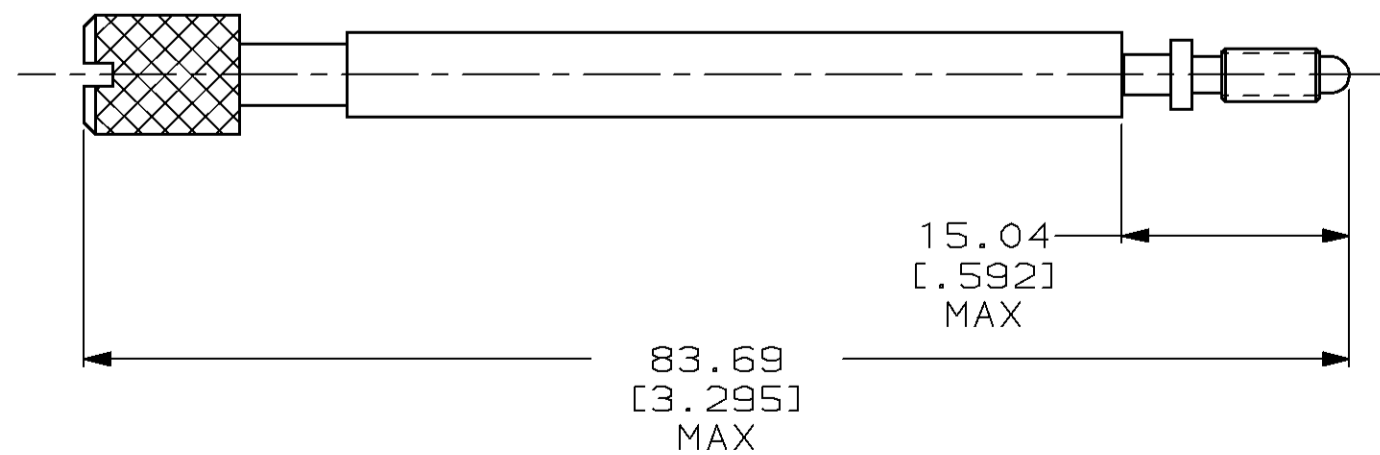


THIS DRAWING IS UNPUBLISHED. RELEASED FOR PUBLICATION
 BY AMP INCORPORATED. ALL RIGHTS RESERVED.

LOC	DIST	REVISIONS			
P	LTR	DESCRIPTION	DATE	DWN	APVD
FT	8	F	REDRAWN W/O CHANGE PER EC 0020-289-96	07 AUG 96	-



- ① JACKSCREW BODY: BRASS.
JACKSCREW TIP: STAINLESS STEEL.
- ② JACKSCREW BODY: 5.08µm [.000200] MIN NICKEL.
- ③ TIP KNURLED 2 PLC FOR PRESS FIT.



ASSEMBLED VIEW

THIS DRAWING IS A CONTROLLED DOCUMENT.		DWN B. CARBO	07 AUG 96	AMP Incorporated Harrisburg, PA 17105-3608
DIMENSIONS: mm [INCHES]		CHK R. STONE	04 JUN 97	
TOLERANCES UNLESS OTHERWISE SPECIFIED:		APVD G. STEINHAEUER	02 SEP 97	
0 PLC ±- 1 PLC ±- 2 PLC ±0.38 [.015] 3 PLC ±- 4 PLC ±- ANGLES ±- FINISH		PRODUCT SPEC	-	
MATERIAL		APPLICATION SPEC	-	NAME JACKSCREW KIT, UNASSEMBLED, MALE, LONG, M SERIES
FINISH		WEIGHT	-	SIZE A2
CUSTOMER DRAWING		SCALE	4:1	CAGE CODE 00779
		DRAWING NO	C-205268	SHEET 1 OF 1
		REV	F	

205268-1
PART NUMBER

205268