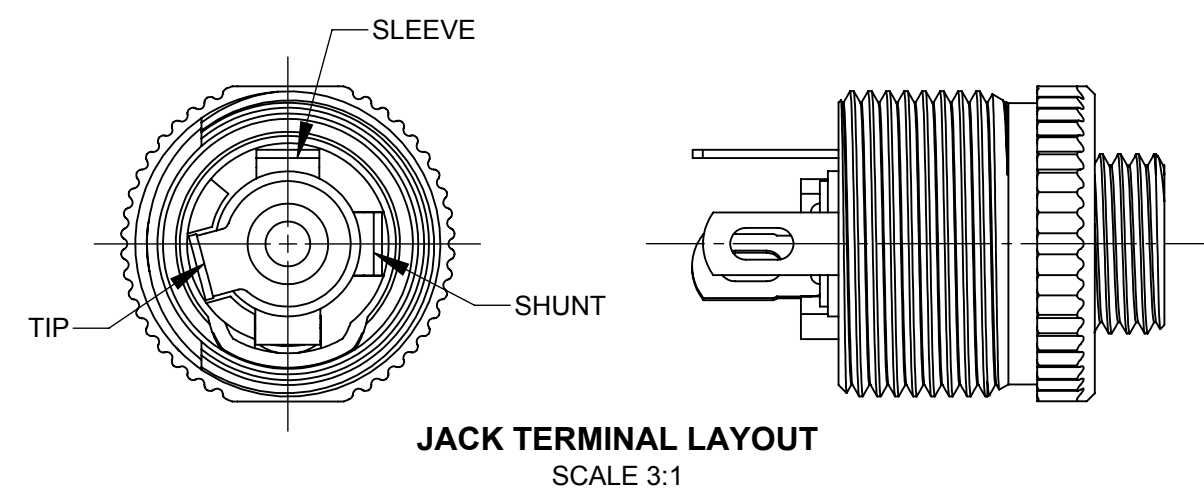


- NOTES:
- MATERIALS:  
 HANDLE - THERMOPLASTIC, BLACK  
 CABLE CLAMP - THERMOPLASTIC, BLACK  
 FLEX RELIEF - THERMOPLASTIC ELASTOMER  
 BUSHING - THERMOPLASTIC, BLACK  
 POWER JACK:  
 HOUSING - COPPER ALLOY, NICKEL PLATED  
 INSULATOR HOUSING - THERMOPLASTIC, BLACK  
 TERMINAL INSULATORS - PHENOLIC  
 PIN, SPRING, TERMINALS - COPPER ALLOY, SILVER PLATED
  - THESE PARTS ARE CURRENT CARRY ONLY NOT TO BE USED FOR CONNECT OR DISCONNECT UNDER LOAD.
  - SHIPPED UNASSEMBLED.
  - THESE PRODUCTS ARE RoHS COMPLIANT

	PART NUMBER	FLEX RELIEF	CABLE RANGE
	712AC	NONE	Ø 0.324 [8.23]
B	712ACF	YES	Ø 0.190 [4.83] - Ø 0.220 [5.59]
	712ACFL	YES	Ø 0.220 [5.59] - Ø 0.250 [6.35]
	722AC	NONE	Ø 0.324 [8.23]
B	722ACF	YES	Ø 0.190 [4.83] - Ø 0.220 [5.59]
	722ACFL	YES	Ø 0.220 [5.59] - Ø 0.250 [6.35]
	732AC	NONE	Ø 0.324 [8.23]
B	732ACF	YES	Ø 0.190 [4.83] - Ø 0.220 [5.59]
	732ACFL	YES	Ø 0.220 [5.59] - Ø 0.250 [6.35]



**CUSTOMER DRAWING**

UNLESS OTHERWISE SPECIFIED				THIS DRAWING DESCRIBES A DESIGN CONSIDERED PROPRIETARY IN NATURE, DEVELOPED AND MANUFACTURED BY SWITCHCRAFT INC. AND IS RELEASED ON A CONFIDENTIAL BASIS FOR IDENTIFICATION PURPOSES ONLY.	
1. ALL DIMENSIONS IN INCHES [mm]				SIZE	WIDTH
- TWO PLACE DECIMALS ±0.02 [0.5]				MULT	LBS/M
- THREE PLACE DECIMALS ±0.005 [0.13]				FINISH	MATERIAL
				SPEC No.	SPEC No.
				FIRST USED ON	SCALE
					3:2
B	28009	3-14-18	PC	TJK	
A	ECO 27926	8-17-17	SRC	TJK	
REVISIONS				SHEET 1 OF 1	
DO NOT SCALE DRAWING				PART No. 712AC-732AC 712ACF-732ACF 712ACFL-732ACFL	
SolidWorks CAD File				REV B	