

Type 2 surge protection plug - VAL-US 347 ST - 2800742

Please be informed that the data shown in this PDF Document is generated from our Online Catalog. Please find the complete data in the user's documentation. Our General Terms of Use for Downloads are valid (<http://phoenixcontact.com/download>)



Surge protection connector type 2 with high-capacity varistor for VAL-MS base element, thermal monitoring, visual fault warning. Design: 347 V AC



Key commercial data

Packing unit	1 pc
Weight per Piece (excluding packing)	54.0 GRM
Custom tariff number	85363090
Country of origin	Germany

Technical data

Dimensions

Height	52.4 mm
Width	17.5 mm
Depth	55.3 mm

Ambient conditions

Degree of protection	IP20
Ambient temperature (operation)	-40 °C ... 80 °C
Ambient temperature (storage/transport)	-40 °C ... 80 °C
Altitude	≤ 2000 m (amsl (above mean sea level))
Permissible humidity (operation)	5 % ... 95 %
Shock (operation)	25g
Vibration (operation)	5g

General

Standards/specifications	IEC 61643-11 2011
	EN 61643-11 2012
IEC test classification	II

Type 2 surge protection plug - VAL-US 347 ST - 2800742

Technical data

General

	T2
EN type	T2
SPD design	Voltage-limiting type
Mode of protection	L-PEN
	L-N
Mounting type	On base element
Color	black
Housing material	PA 6.6
Pollution degree	2
Inflammability class according to UL 94	V-0
Type	Male
Number of positions	1
Arrester can be tested with CHECKMASTER from software version:	From SW rev. 1.10
Surge protection fault message	Optical

Protective circuit

Nominal voltage U_N	240/415 V AC (TN)
	240/415 V AC (TT)
Nominal frequency f_N	60 Hz (50 Hz)
Maximum continuous operating voltage U_C	440 V AC
Residual current I_{PE}	≤ 0.45 mA
Standby power consumption P_C	≤ 200 mVA
Nominal discharge current I_n (8/20) μ s	20 kA
Maximum discharge current I_{max} (8/20) μ s	40 kA
Short-circuit current rating I_{SCCR}	25 kA
Voltage protection level U_p	≤ 2.2 kV
Residual voltage U_{res}	≤ 2.2 kV (at I_n)
	≤ 1.8 kV (at 10 kA)
	≤ 1.5 kV (at 5 kA)
	≤ 1.4 kV (at 3 kA)
TOV behavior at U_T	440 V AC (5 s / withstand mode)
	440 V AC (120 min / withstand mode)
Response time t_A	≤ 25 ns
Max. backup fuse with branch wiring	125 A AC (gG)

NEMA/UL protective circuit

UL class	Type 4 SPD for Type 2 applications
Maximum continuous operating voltage MCOV (L-N)	440 V AC

Type 2 surge protection plug - VAL-US 347 ST - 2800742

Technical data

NEMA/UL protective circuit

Nominal voltage U_N	347 V AC
Mode of protection	L-N
Power distribution system	1
Nominal frequency	50/60 Hz
Voltage protection rating VPR (L-N)	1.5 kV
Nominal discharge current I_n (L-N)	20 kA

Classifications

eCl@ss

eCl@ss 4.0	27140201
eCl@ss 4.1	27130801
eCl@ss 5.0	27130801
eCl@ss 5.1	27130801
eCl@ss 6.0	27130803
eCl@ss 7.0	27130803
eCl@ss 8.0	27130803

ETIM

ETIM 3.0	EC000472
ETIM 4.0	EC000472
ETIM 5.0	EC000472

UNSPSC

UNSPSC 6.01	30212010
UNSPSC 7.0901	39121610
UNSPSC 11	39121610
UNSPSC 12.01	39121610
UNSPSC 13.2	39121620

Approvals

Approvals

Approvals

UL Recognized / cUL Recognized / CSA / cULus Recognized

Type 2 surge protection plug - VAL-US 347 ST - 2800742

Approvals

Ex Approvals

Approvals submitted

Approval details

UL Recognized

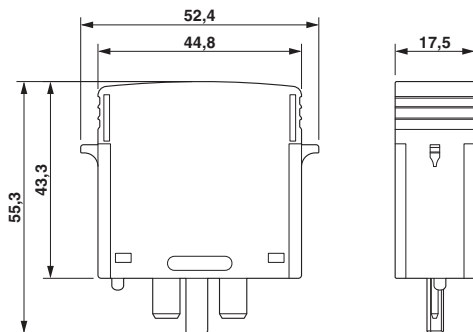
cUL Recognized

CSA

cULus Recognized

Drawings

Dimensioned drawing



Circuit diagram

