



MADE
IN THE **USA**

Product Description:

- Protective Wear Dispenser - Mask & Bulk
- Holds two boxes of earloop masks, one box of face shields, or one box of isolation gowns, and protective equipment or miscellaneous items in bulk
- Keyholes for wall mounting or may be attached to BOWMAN® PS019-0212: Protective Wear Dispenser - Slimline
- Quartz Beige ABS Plastic

Primary Area for Product Usage:

- Anywhere personal protection equipment is needed

Dispenses:

- Left: Box(es) no larger than 11.75"W x 10.00"H x 4.55"D (29.8 cm x 25.4 cm x 11.8 cm)
- Right: Item(s) in bulk no larger than 11.75"W x 10.00"H x 4.55"D (29.8 cm x 25.4 cm x 11.8 cm)

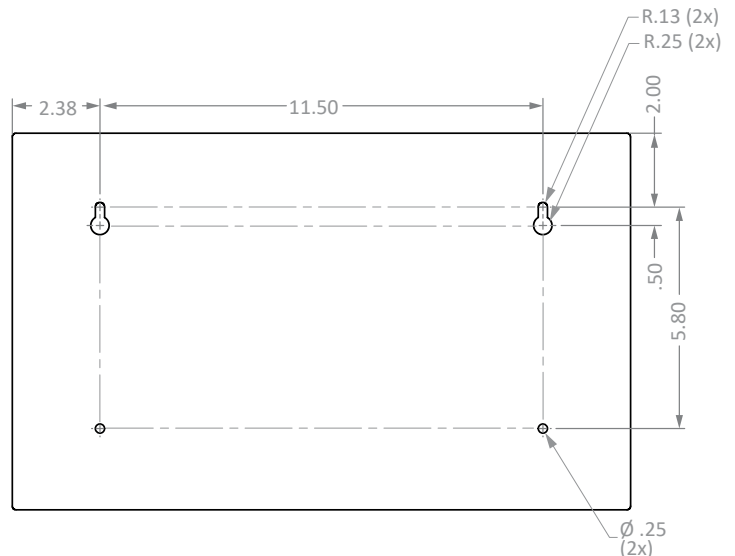
Package Specifications:

- Package Quantity: 2 per case
- 21"L x 14"W x 10"H (53.3 cm x 35.6 cm x 25.4 cm)
- 7.0 lbs (3.2 kg) - approximated

Product Specifications (overall external dimensions):

- 16.95"W x 10.20"H x 4.75"D (43.1 cm x 25.9 cm x 12.1 cm)
- 2.1 lbs (1.0 kg) - approximated

Mounting Specifications:



Related Products (each sold separately):

- PS019-0212: Protective Wear Dispenser - Slimline (shown below with PA005-0212 attached)

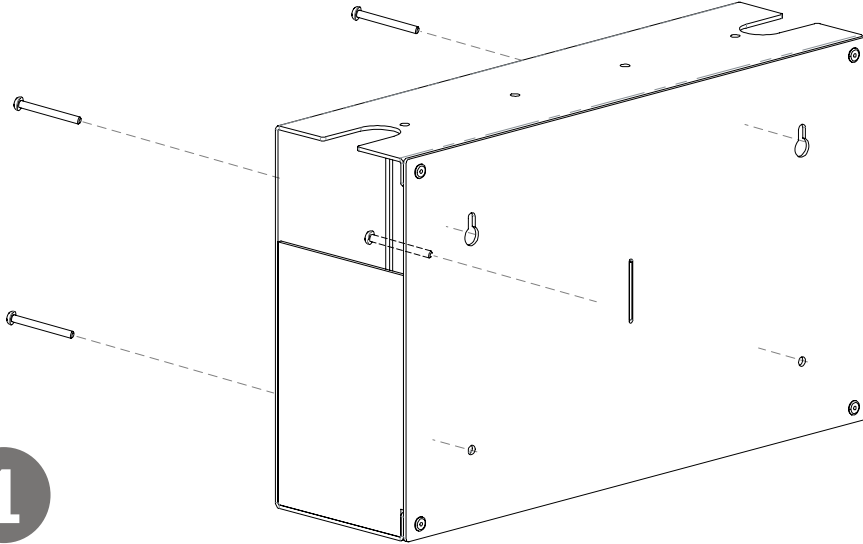




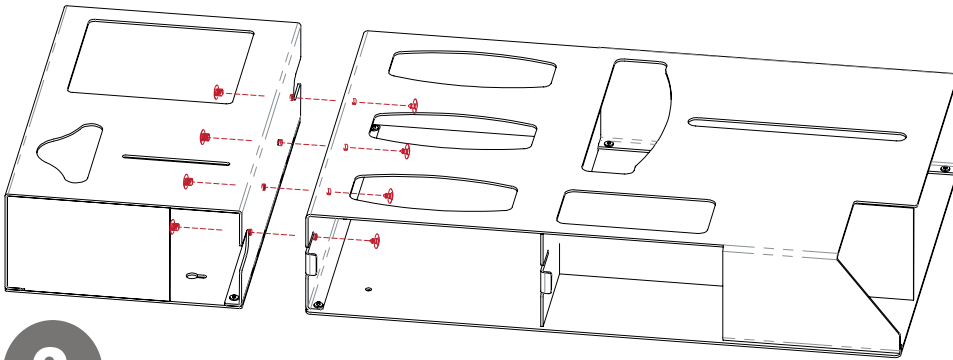
Installation

Always mount dispensers securely *prior* to loading with product.

- Mount securely to a wall with screws approved and supplied by building maintenance.



- Dispenser can be attached to the bottom a BOWMAN® Protective Wear Dispenser - PS019-0212 with secure plastic rivets.
- Lay units on level surface, align bottom of PS019-0212 with top of PA005-0212. Insert plastic rivets into all four holes and snap together securely.



Parts included:

- Dispenser
- (4x) Pair Plastic Snap Rivets

Tools Required:

- No tools required to assemble dispenser

Care and Construction

ABS Plastic

Material Characteristics

Designed for Long-Term, Heavy-Duty Applications

The combination of copolymers (Acrylonitrile, Butadiene, and Styrene) gives ABS an excellent combination of strength, rigidity, and toughness.

ABS is chemical and stress-crack resistant. It is tough, dimensionally stable, and will hold up to long-term use. It possesses high strength and performance characteristics at a reasonable cost.

Care and Cleaning

Use mild soap and water to clean. Petroleum-based oils, solvents, and paints should not be used.

Standard hospital cleaning supplies are approved for use on our ABS plastic products.