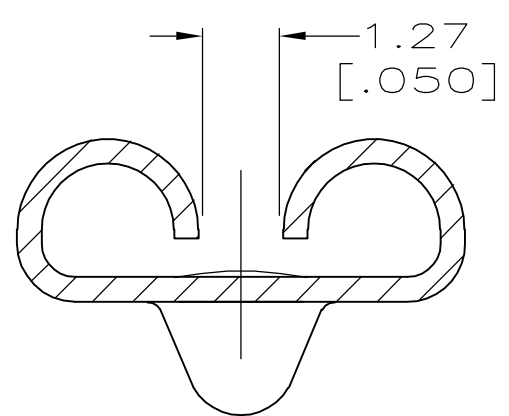
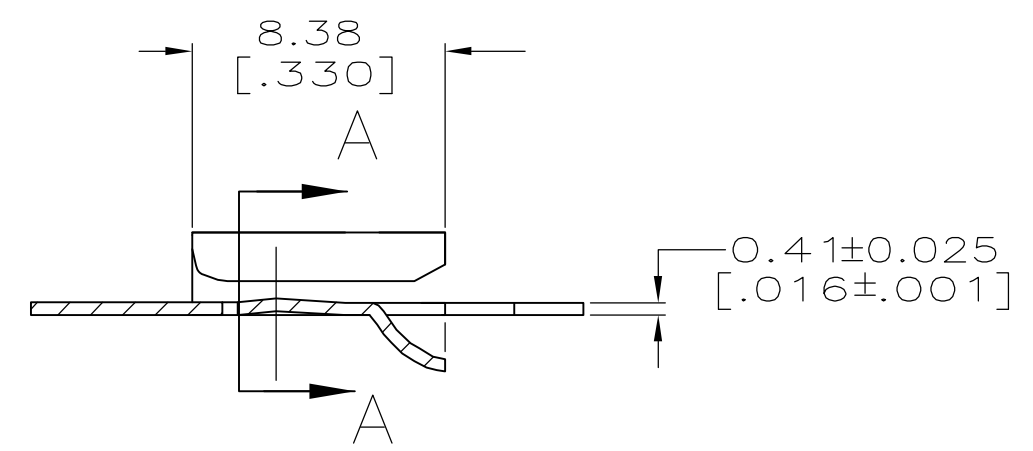
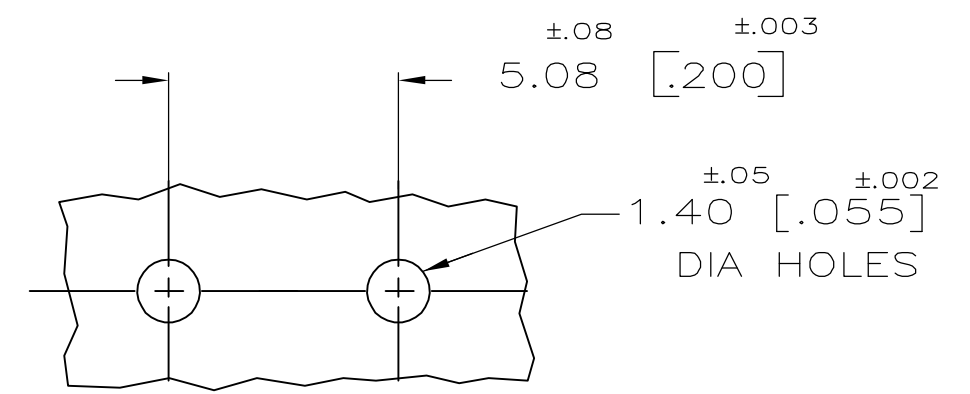
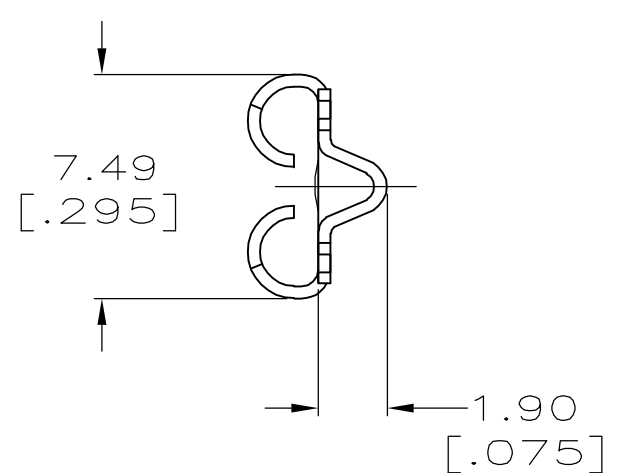
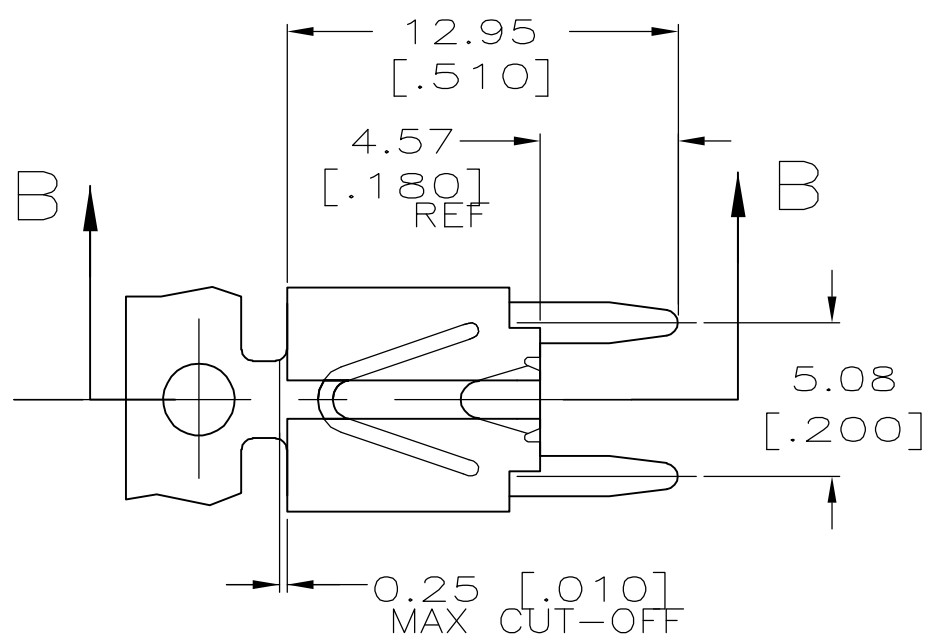


THIS DRAWING IS UNPUBLISHED. RELEASED FOR PUBLICATION
 © COPYRIGHT BY TYCO ELECTRONICS CORPORATION. ALL RIGHTS RESERVED.

LOC	DIST	REVISIONS					
AF	50	P	LTR	DESCRIPTION	DATE	DWN	APVD
			D2	REV PER ECR 05-013999	25OCT05	JR	PD

- 1 CONTINUOUS STRIP ON REELS.
- △2 0.00254 [.000100] MIN THK TIN OVER 0.00127 [.000050] MIN NICKEL
- 3 MATING TAB THK IS 0.635±0.025 [.025±.001].
- △4 REVERSE REELING OF -1



SECTION A-A
SCALE 8:1

△4	1217137-2
	1217137-1
	PART NO.

THIS DRAWING IS A CONTROLLED DOCUMENT.		DWN	JR RUTH	26JAN99		Tyco Electronics Corporation	
DIMENSIONS: INCHES		CHK	MS FEHER	26JAN99		Harrisburg, PA 17105	
		APVD	D BRATINA	26JAN99		NAME	
TOLERANCES UNLESS OTHERWISE SPECIFIED:		PRODUCT SPEC		RECEPTACLE, FASTON, 6.35/5.21		RESTRICTED TO	
0 PLC ± -		APPLICATION SPEC		[.250/.205] SERIES, PC BOARD MOUNTED		-	
1 PLC ± -		WEIGHT		A3 00779 C-1217137		-	
2 PLC ± 0.25 [.010]		CUSTOMER DRAWING		SCALE 4:1		SHEET 1 OF 1	
3 PLC ± -		SCALE 4:1		REV D2		REV D2	
4 PLC ± -		SHEET 1 OF 1					
ANGLES ± -							
FINISH							
H04 BRASS							