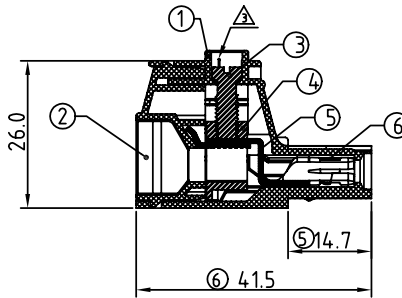
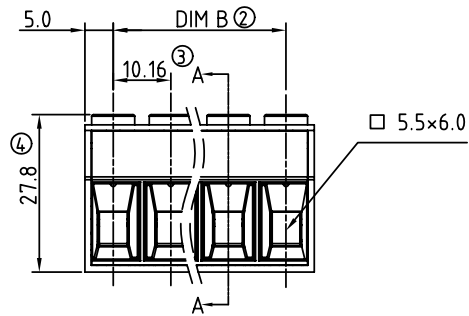
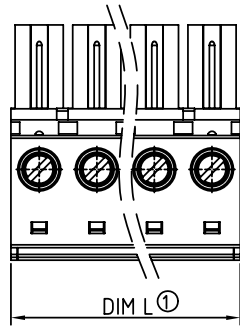


SIGN	DATE	DESCRIPTION	APPROVER
△	04/08'09	The Voltage rating, Screw and operating temperature are changed	Jacke
△	04/08'09	Add UL standard	Jacke
△	2009.10.23	The design is changed	Jacke
△	2010.02.04	The material is changed from Brass to Copper	Jacke

*THIS IS CAD DRAWING, DO NOT REVISE MANUALLY!!!*



SECTION A-A

- Material**
- Item a Terminal body: Thermoplastic (UL94V-0)
  - Item b Terminal cover: Thermoplastic (UL94V-0)
  - Item c Terminal screw :Steel Cr3+ Zinc plating "--" slot type
  - Item d Clamp: Brass, Ni plated
  - △ ● Item e Femal contact pin: Copper Tin plated
  - Item f Wire guard :Stainless Steel

- Electrical cULus / IEC**
- △ ● Voltage rating: 300VAC / 1000VAC
  - Current rating: 55A / 76A
  - Solid wire (AWG): 6-20 / 0.5-16mm<sup>2</sup>
  - Stranded wire (AWG): 6-20 / 0.5-16mm<sup>2</sup>
  - Torque: 10.4 Lb-In / 1.2 N.m
  - △ ● Screw: M4.5
  - Wire strip length: 13-14mm
  - Withstanding Voltage: 1.6KV / 8KV
  - △ ● Operating temperature: -40°C to +115°C
  - △ ● Safety Approval: cULus

PART NO.

**EV xx 61 x 0 xxxx G**

<p>Poles</p> <p>02 2Contacts</p> <p>03 3Contacts</p> <p>.....</p> <p>12 12Contacts</p>	<p>Color</p> <p>0 Black (RAL9005)</p> <p>2 Red (RAL3001/D)</p> <p>3 Orange(RAL2011/P)</p> <p>4 Yellow(RAL1018/A)</p> <p>5 Green(RAL6018/T)</p> <p>6 Blue (RAL5015/A)</p> <p>8 Grey(RAL7035/D)</p>	<p>RoHS</p> <p>Pb&lt;40,000ppm</p> <p>0000 Standard @ Logo</p> <p>000A Standard ANY Logo</p> <p>Any special item by customer request, please contact sales department.</p>
--	---	--

Poles	02	03	04	05	06	07	08	09	10	11	12
Dim L	20.16	30.32	40.48	50.64	60.80	70.96	81.12	91.28	101.44	111.60	121.76
Dim B	10.16	20.32	30.48	40.64	50.80	60.96	71.12	81.28	91.44	101.60	111.76
TOL	±0.25						±0.35				

<h1>ANYTEK</h1>				<b>CUSTOMER COPY</b>				
ALL RIGHTS RESERVED. REPRODUCTION OR ISSUE TO THIRD PARTIES IN ANY FORM WHATSOEVER IS NOT PERMITTED WITHOUT WRITTEN AUTHORITY FROM THE PROPRIETOR. PROPERTY OF ANYTEK TECHNOLOGY CO., LTD								
TITLE		EV 10.16 Series 2p-12p						
PART NO.		EVxx61x0xxxxG			DWG NO.		8EV0001	
APPROVED		CHECKED	DESIGNED	DRAWN	CUST NO.		Tolerance	
			Jacke	Jacke			X. ±0.50	
			2010.02.04	2010.02.04			UNIT: mm	X.X ±0.30
							SCALE: NONE	X.XX ±0.10
					SHEET: 01/01		X° ±1°	
					REV.: E			