



Single Port RJ45 Connector

AR11-4454I

- 10/100/1000 Base T Gigabit For Ethernet and other Networking Applications
- Compliant to IEEE802.3
- Transmit open circuit inductance (OCL): 350µH (MIN) @ 100KHz, 0.1Vrms with 8mA DC Bias
- RJ45 jack cavity conforms to FCC rules and regulations Part 68, SUB Part F
- Industrial Temp: -40°C to +85°C



Electrical Specifications @ 25°C

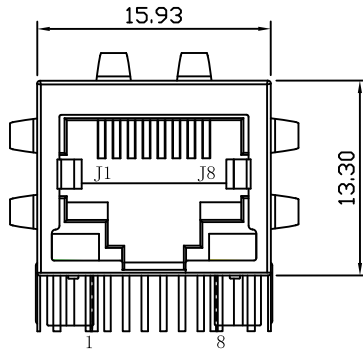
Part Number	OCL(µH Min) @ 100KHz, 0.1V With 8mA DC Bias	Turns Ratio ±2%	Cross Talk (dB Min)			HI-POT
			1-30MHz	30-60MHz	60-100MHz	
AR11-4454I	350	1CT: 1	-35	-32	-30	1500Vrms

Electrical Specifications @ 25°C

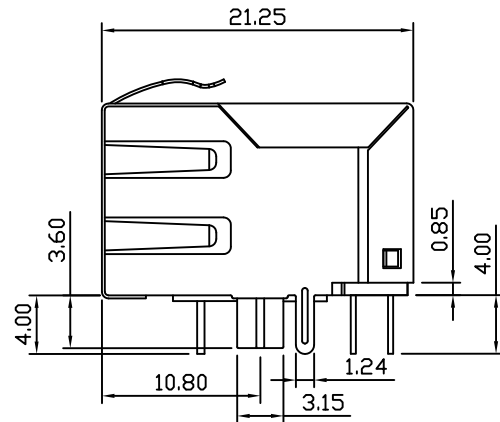
Insertion Loss (dB Max)	Return Loss (dB Min)			Return Loss (dB Min)	CMR (dB Min)
	1-10MHz	10-30MHz	30-60MHz		
1.0-100 MHz -1.0	1-10MHz -18	10-30MHz -16	30-60MHz -12	60-100MHz -10	1-100MHz -30

All specifications subject to change without notice.

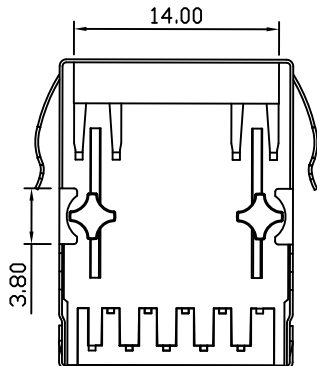
MECHANICAL



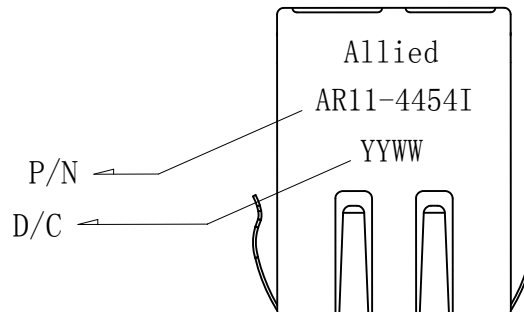
Front Side View



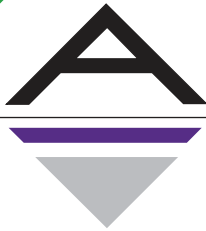
Left Side View



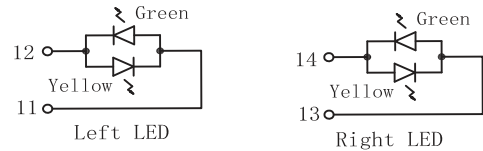
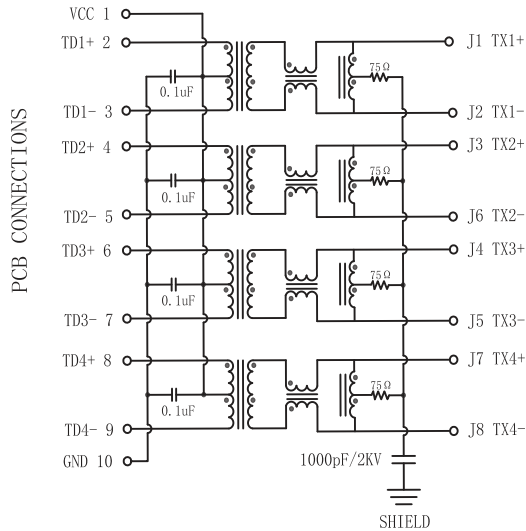
Bottom Side View



Top Side View

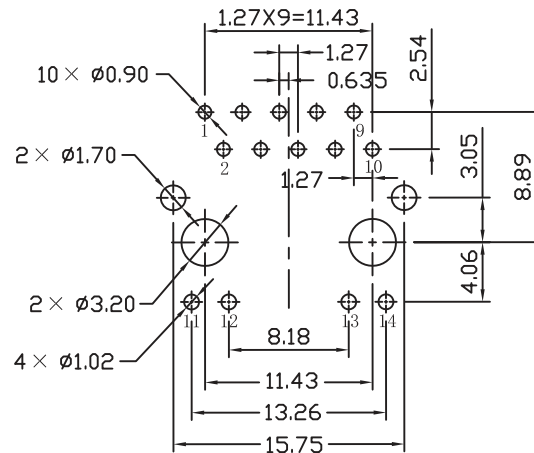


SCHEMATICS



Emitting Color	λ p(nm)	V _F @I _F =20mA	I _R @V _R =5V
Green	565	1.8~2.4V	10 μ A max
Yellow	585	1.8~2.4V	10 μ A max

PCB LAYOUT



NOTES

1. Meets IEEE 802.3 specification
2. Connector Materials:
 Housing Material: Thermoplastic PBT+30%G. F UL94V-0
 Contact Material: Phosphor Bronze C5210R-EH Thickness=0.35mm
 Pins: Brass C2680R-H Thickness=0.35mm
 Shield: SUS 201-1/2H Thickness=0.2mm
 Contact plating: Gold 6 micro-inches min. In contact area.
3. Wave solder tip temperature: 265°C Max, 5 Sec Max