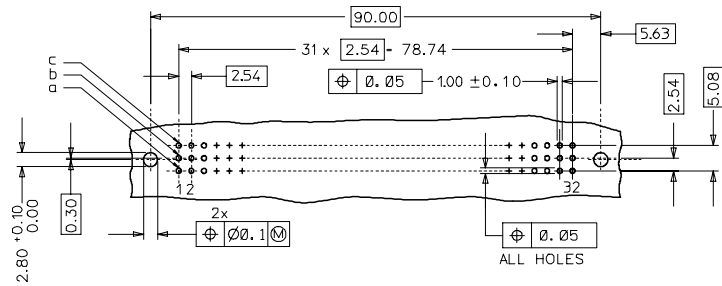
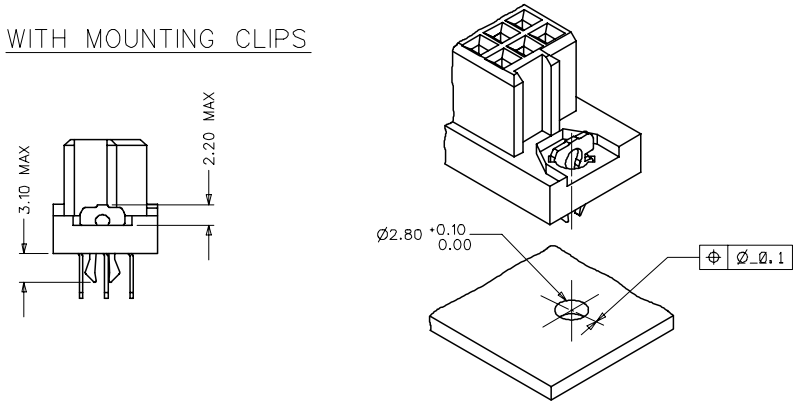


RECOMMENDED PCB LAYOUT  
COMPONENT SIDE



WITH MOUNTING CLIPS



NOTES:

- MATERIALS: THERMOPLASTIC POLYESTER, GLASS FILLED, UL94V-0, COLOUR: PEBBLE GREY RAL 7032  
TERMINAL - PHOSPHOR BRONZE  
MOUNTING CLIP: STEEL
- FINISH: TERMINAL:-  
CONTACT AREA:  
1. PERFORMANCE LEVEL 1: SELECTIVE GOLD (Au), THICKNESS - 1.1 MICROMETER OVER NICKEL, THICKNESS - 1.5 MICROMETER  
2. PERFORMANCE LEVEL 2: SELECTIVE GOLD (Au), THICKNESS - 0.6 MICROMETER OVER NICKEL, THICKNESS - 1.5 MICROMETER  
3. PERFORMANCE LEVEL 3: SELECTIVE GOLD (Au), THICKNESS - 0.3 MICROMETER OVER NICKEL, THICKNESS - 1.5 MICROMETER  
TERMINATION AREA:  
SELECTIVE TIN, THICKNESS - 5 MICROMETER  
OVER NICKEL, THICKNESS - 1.5 MICROMETER OVERALL
- MOUNTING CLIP:-  
TIN (Sn), THICKNESS - 5-10 MICROMETER,  
OVER NICKEL (Ni), THICKNESS - 2.5 MICROMETER
- FOR NON MOUNTING CLIP OPTION, CONNECTOR TO BE SECURED WITH  
RIVETS: 2 TUBULAR RIVETS 2.5 x 0.3 ... DIN 7340  
SCREWS: 2 CHEESEHEAD SCREWS M2.5 x ... DIN 84 AND 2 HEXAGONAL NUTS M2.5 DIN 934
- MATERIAL No, BATCH CODE, UL AND CSA MARKING TO BE PRINTED ON THE CONNECTOR.
- CUT FACES OF TIP WITHOUT PLATING PERMITTED.
- PRODUCT SPECIFICATION PS:36500-001

RoHS COMPLIANT

ENTER DESCRIPTION E.C.N.C. 12007 0044 DRAWING APPROVED 2006/10/10 CHKD BY SUDHIR 2006/10/11 APPROVED BY SUDHIR 2006/10/15	QUALITY SYMBOLS ▽=0 ▽=0	GENERAL TOLERANCES (UNLESS SPECIFIED)		DIMENSION STYLE MM ONLY		SCALE 2:1	DESIGN UNITS METRIC	THIRD ANGLE PROJECTION	
		mm	INCH	DRAWN BY SUDHIR	DATE 2000/09/22	TITLE ASSEMBLY DIN 41612 C FEMALE 96 POS 1.0MM PCB DIA	MATERIAL NO. SEE SHEET 2 DOCUMENT NO. SD-36500-001 SHEET NO. 1 OF 2		
REV C1	DESCRIPTION	4 PLACES ±	±	3 PLACES ±0.05	±	2 PLACES ±0.1	±	1 PLACE ±0.15	±
DRAFT WHERE APPLICABLE MUST REMAIN WITHIN DIMENSIONS		ANGULAR ± 2°		APPROVED BY G.L.		DATE 2000/09/22	MOLEX INCORPORATED		
THIS DRAWING CONTAINS INFORMATION THAT IS PROPRIETARY TO MOLEX INCORPORATED AND SHOULD NOT BE USED WITHOUT WRITTEN PERMISSION									

	20	19	18	17	16	15	14	13	12	11	10	9	8	7	6	5	4	3	2	1
	MATERIAL No	MOLEX ENG No	PERF LEVEL	PLATING	CONTACT SEQUENCE/ROW	DIM "L" mm	MOUNTING CLIP	FLUX PROOF												
	36500-0001	MM-B2401-C960	1	Au+Ni	1.2.3....32 a+b+c	2.9	NO	NO												
	36500-0002	MM-B2501-C960	2	Au+Ni	1.2.3....32 a+b+c	2.9	NO	NO												
	36500-0003	MM-B2601-C960	3	Au+Ni	1.2.3....32 a+b+c	2.9	NO	NO												
	36500-0007	MM-B2401-C910	1	Au+Ni	1.2.3....32 a+b+c	2.9	YES	NO												
	36500-0008	MM-B2501-C910	2	Au+Ni	1.2.3....32 a+b+c	2.9	YES	NO												
	36500-0009	MM-B2601-C910	3	Au+Ni	1.2.3....32 a+b+c	2.9	YES	NO												
	36500-0013	MM-B2401-C960-133	1	Au+Ni	1.2.3....32 a+b+c	2.9	NO	YES												
	36500-0014	MM-B2501-C960-133	2	Au+Ni	1.2.3....32 a+b+c	2.9	NO	YES												
	36500-0015	MM-B2601-C960-133	3	Au+Ni	1.2.3....32 a+b+c	2.9	NO	YES												
	36500-0019	MM-B2401-C910-133	1	Au+Ni	1.2.3....32 a+b+c	2.9	YES	YES												
	36500-0020	MM-B2501-C910-133	2	Au+Ni	1.2.3....32 a+b+c	2.9	YES	YES												
	36500-0021	MM-B2601-C910-133	3	Au+Ni	1.2.3....32 a+b+c	2.9	YES	YES												
	36500-0025	MM-B2402-C960	1	Au+Ni	1.2.3....32 a+b+c	4.5	NO	NO												
	36500-0026	MM-B2502-C960	2	Au+Ni	1.2.3....32 a+b+c	4.5	NO	NO												
	36500-0027	MM-B2602-C960	3	Au+Ni	1.2.3....32 a+b+c	4.5	NO	NO												
	36500-0031	MM-B2402-C910	1	Au+Ni	1.2.3....32 a+b+c	4.5	YES	NO												
	36500-0032	MM-B2502-C910	2	Au+Ni	1.2.3....32 a+b+c	4.5	YES	NO												
	36500-0033	MM-B2602-C910	3	Au+Ni	1.2.3....32 a+b+c	4.5	YES	NO												
	36500-0037	MM-B2402-C960-133	1	Au+Ni	1.2.3....32 a+b+c	4.5	NO	YES												
	36500-0038	MM-B2502-C960-133	2	Au+Ni	1.2.3....32 a+b+c	4.5	NO	YES												
	36500-0039	MM-B2602-C960-133	3	Au+Ni	1.2.3....32 a+b+c	4.5	NO	YES												
	36500-0043	MM-B2402-C910-133	1	Au+Ni	1.2.3....32 a+b+c	4.5	YES	YES												
	36500-0044	MM-B2502-C910-133	2	Au+Ni	1.2.3....32 a+b+c	4.5	YES	YES												
	36500-0045	MM-B2602-C910-133	3	Au+Ni	1.2.3....32 a+b+c	4.5	YES	YES												

RoHS COMPLIANT

<b>ENTER DESCRIPTION</b> ELC.MC.12007.0044 DRWNGSATTI/MARAD 2006/10/10 CHKD/SUDHIR 2006/10/11 APPR/SUDHIR 2006/10/15	<b>QUALITY SYMBOLS</b> 	<b>GENERAL TOLERANCES (UNLESS SPECIFIED)</b>		<b>DIMENSION STYLE</b> MM ONLY		<b>SCALE</b> ---	<b>DESIGN UNITS</b> METRIC	<b>THIRD ANGLE PROJECTION</b>	
		4 PLACES ± 0.15 ± ---	INCH	DRAWN BY SSUDHIR	DATE 2000/09/22	<b>TITLE</b> ASSEMBLY DIN 41612 C FEMALE 96 POS 1.0MM PCB DIA			
		3 PLACES ± 0.05 ± ---	mm	CHECKED BY G.L.	DATE 2000/09/22	<b>MOLEX INCORPORATED</b>			
		2 PLACES ± 0.1 ± ---	mm	APPROVED BY G.L.	DATE 2000/09/22	MATERIAL NO. SEE CHART	DOCUMENT NO. SD-36500-001	SHEET NO. 2 OF 2	
1 PLACE ± 0.15 ± ---	mm	ANGULAR ± 2°		THIS DRAWING CONTAINS INFORMATION THAT IS PROPRIETARY TO MOLEX INCORPORATED AND SHOULD NOT BE USED WITHOUT WRITTEN PERMISSION					
DRAFT WHERE APPLICABLE MUST REMAIN WITHIN DIMENSIONS									