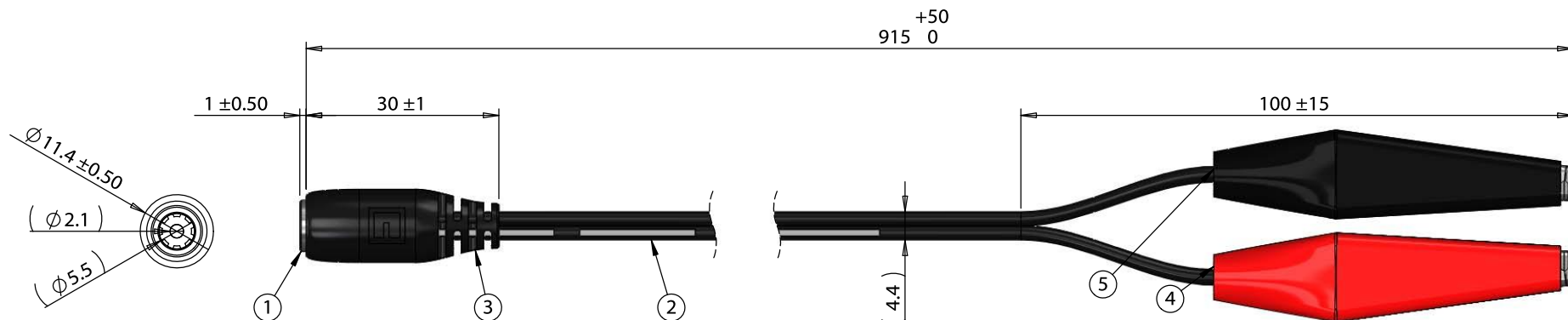


ITEM NO.	PART NUMBER	DESCRIPTION	QTY.	COMPONENT NOTES
1	50-00025	Connector, dc jack, 5.5x2.1xL17.4 mm, molding style	1	
2	30-00395	Wire, 2C TS, 18 AWG, UL2468, 300V, 80C, 4.4 mm, VW-1, PVC, 87A	1	
3	24-00004	Overmold, PVC	1	black
4	50-00555	Connector, 50 mm, alligator clip, red sleeve	1	
5	50-00556	Connector, 50 mm, alligator clip, black sleeve	1	



Wiring Diagram		
50-00025	wire color	alligator clip
center	black with stripe	50-00555/red
sleeve	black	50-00556/black

Revision:	Date:	Description:	Prepared:	Notes:	<h1>TENSILITY</h1> <p>tel 1.541.323.3228 800 877.670.7118 fax 1.541.323.4202 web tensility.com</p>	
A	5/23/2017	Initial release	PS <small>Digitally signed by PS Date: 2017.07.20 16:01:29 -07'00'</small>	RoHS compliant		
			Verified: GL <small>Digitally signed by GL Date: 2017.07.21 08:34:54 -07'00'</small>	Function test: no open, no short circuit, no intermittent		
			Dimensions are in millimeters. Tolerances: X: ± 0.5 mm X.X: ± 0.3 mm X.XX: ± 0.05 mm	Description: Cable, 915 mm, 5.5x2.1 mm 50-00025 dc jack to alligator clips, 18 AWG, 30-00395 wire		
				Size: Part number: A 10-02462		
				Scale: 1:1		Sheet 1 of 1

5

↑

4

3

2

1