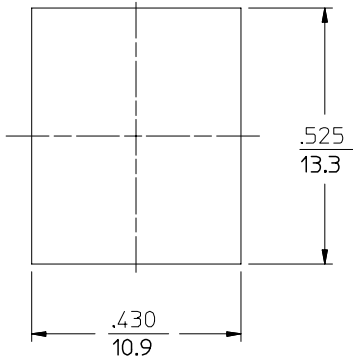
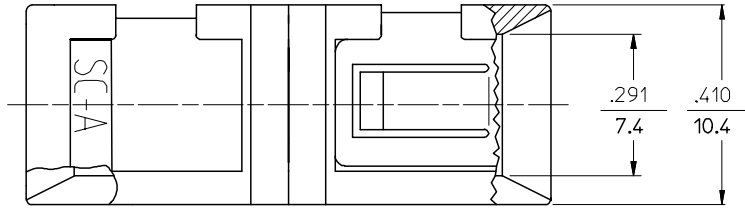
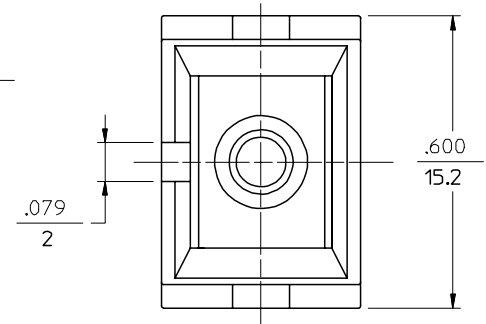
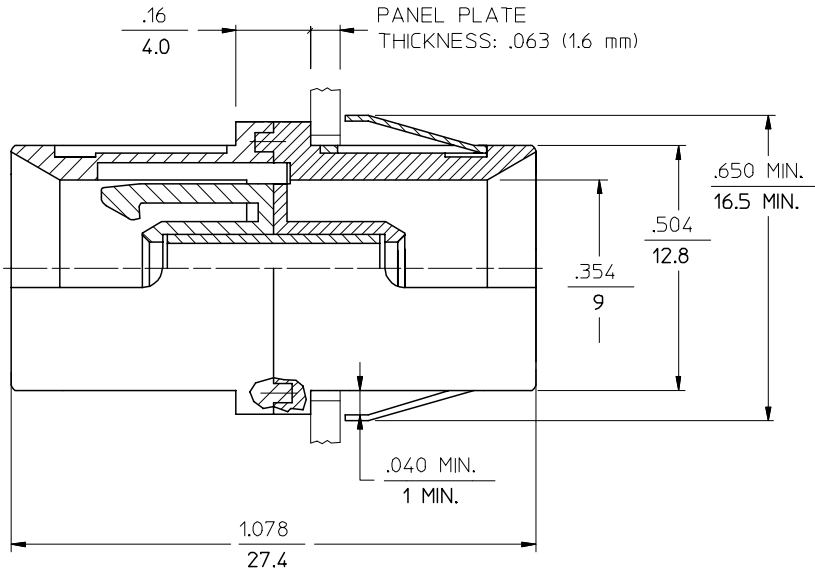


P/N OF ADAPTER	MATERIAL SPLIT SLEEVE	COLOR OF ADAPTER
106170-2000	CERAMIC	BLACK
106171-2000	PHOSPHOR BRONZE	
106170-2020	CERAMIC	GREEN
106171-2020	PHOSPHOR BRONZE	
106170-2030	CERAMIC	RED
106171-2030	PHOSPHOR BRONZE	



RECOMMENDED MOUNTING HOLE



NOTES:  
1. DUST CAPS ARE NOT SHOWN BUT INCLUDED.

ENTER DESCRIPTION EC NO: MF2006-0237 DRW: NPG/BLN CHKD: 2005/11/29 APPR: IGUMIN 2005/11/29	QUALITY SYMBOLS = 0 = 0	GENERAL TOLERANCES (UNLESS SPECIFIED)		DIMENSION STYLE IN/MM	SCALE 4:1	DESIGN UNITS INCH	THIRD ANGLE PROJECTION		
		4 PLACES ± --- ± ---	3 PLACES ± --- ± ---	DRAWN BY RPACIFIC1	DATE 2005/10/13	TITLE BSC-2 BACK PANEL ADAPTER			
		2 PLACES ± --- ± ---	1 PLACE ± --- ± ---	CHECKED BY	DATE				
		ANGULAR ±1/2°		APPROVED BY		DATE	MOLEX INCORPORATED		
DRAFT WHERE APPLICABLE MUST REMAIN WITHIN DIMENSIONS		MATERIAL NO. SEE TABLE	DOCUMENT NO. SD-106170-2000	SHEET NO. 1 OF 01					
THIS DRAWING CONTAINS INFORMATION THAT IS PROPRIETARY TO MOLEX INCORPORATED AND SHOULD NOT BE USED WITHOUT WRITTEN PERMISSION									