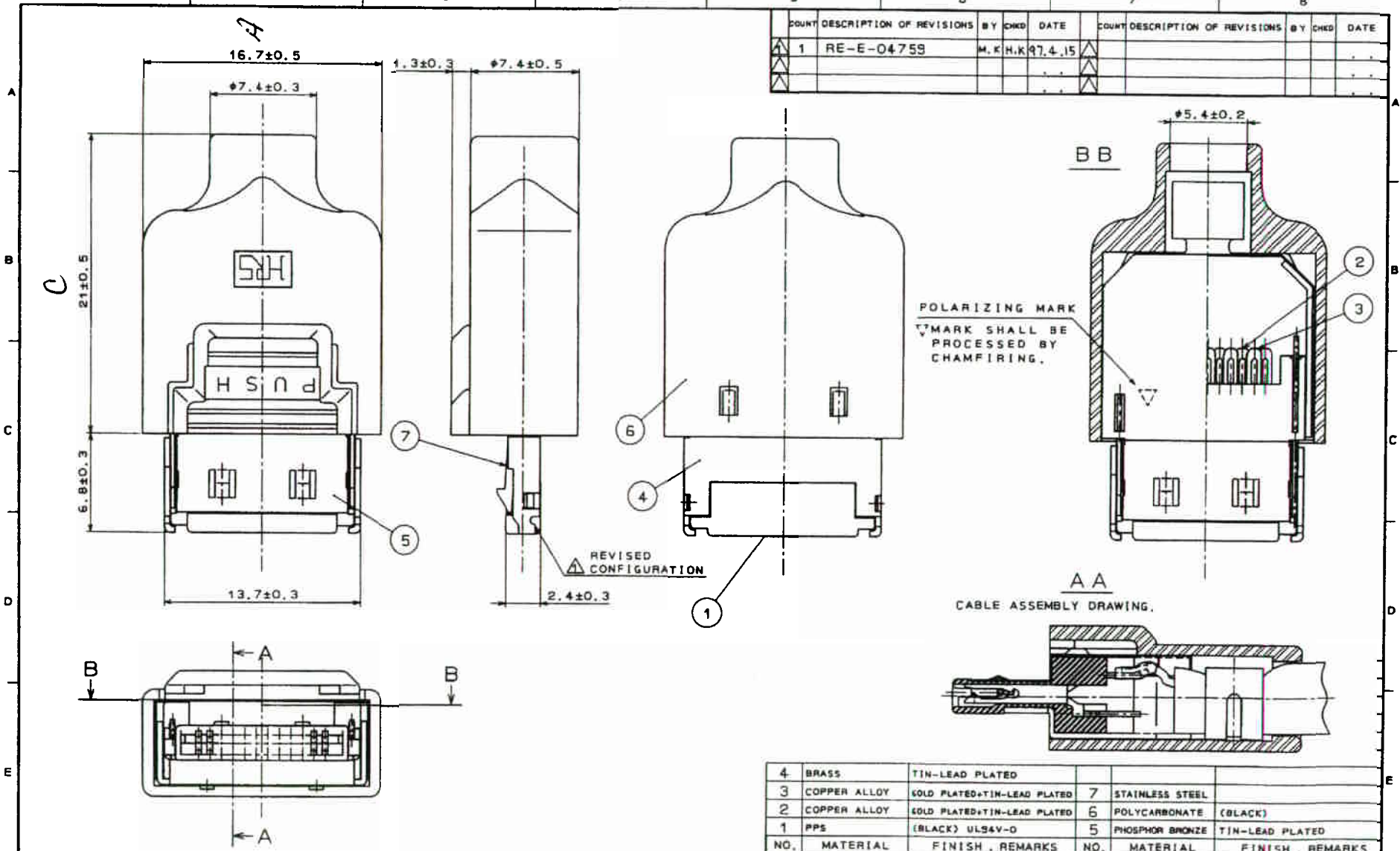


[Drawing for reference] This is subject to change without notice.

COUNT	DESCRIPTION OF REVISIONS	BY	CHKD	DATE	COUNT	DESCRIPTION OF REVISIONS	BY	CHKD	DATE
1	RE-E-04758	M.K.H.K.		97.4.15					



NOTE 1. THE REFERENCE NOS. ④ ⑤ ⑥ SHALL BE ATTACHED.

DRAWING FOR REFERENCE
This is subject to change without notice

4	BRASS	TIN-LEAD PLATED					
3	COPPER ALLOY	GOLD PLATED+TIN-LEAD PLATED	7	STAINLESS STEEL			
2	COPPER ALLOY	GOLD PLATED+TIN-LEAD PLATED	6	POLYCARBONATE (BLACK)			
1	PPS	(BLACK) ULS4V-0	5	PHOSPHOR BRONZE	TIN-LEAD PLATED		

NO.	MATERIAL	FINISH, REMARKS	NO.	MATERIAL	FINISH, REMARKS

CODE NO. (OLD)	DRAWN	DESIGNED	CHECKED	APPROVED	RELEASED
	K. HIROKAWA	Y. ENAMI	T. ASO	S. KIKUTA	95.11.9
	95.11.9	95.11.9	95.11.9	95.11.9	95.11.9
DRAWING NO.	PART NO.				
EDC3-120221	3240-12P-TO-C				
SCALE	CODE NO.				
4 : 1	CL232-0069-8				
UNITS	HRS				
mm	HIROSE ELECTRIC CO., LTD.				

TO
Q1