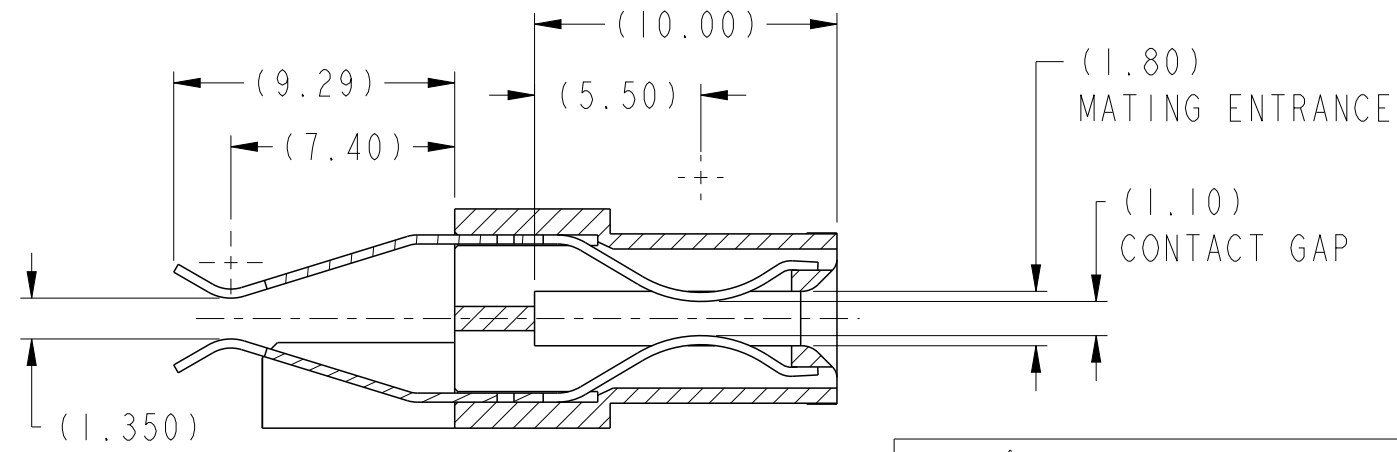


SECTION C-C

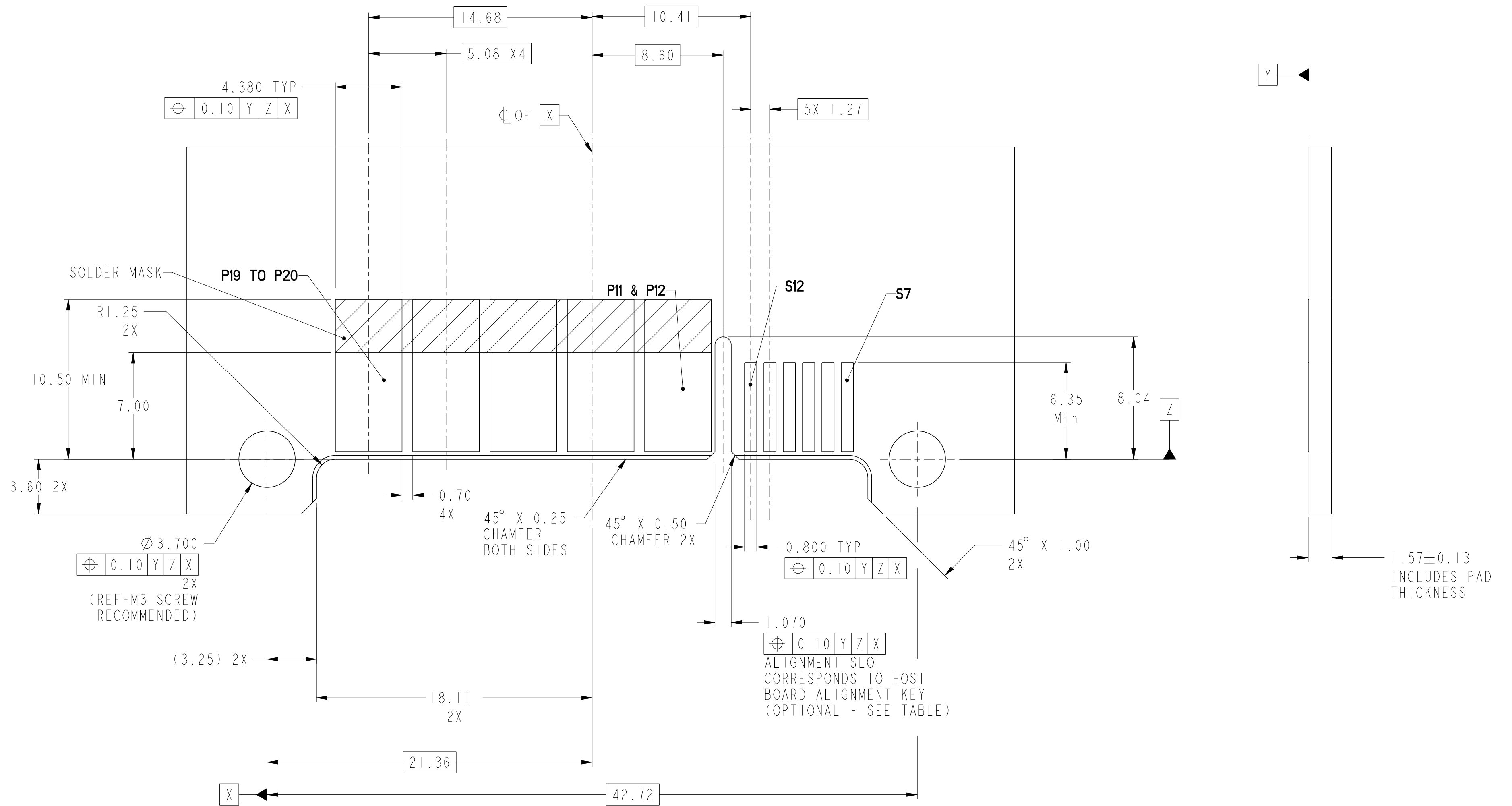


SECTION D-D

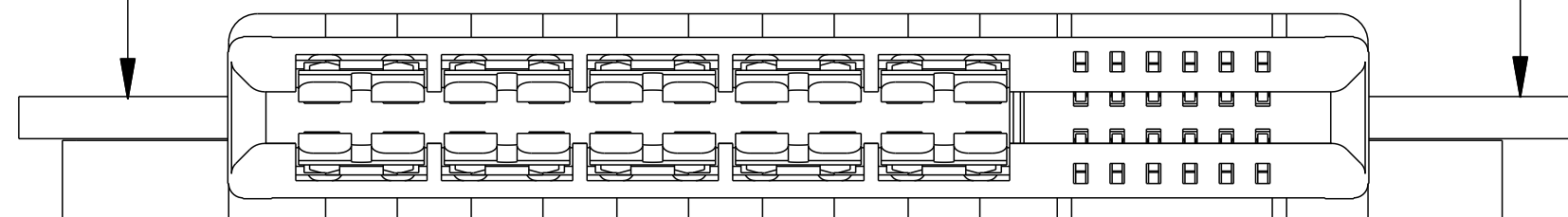
REV	ECN NO.	DR	DATE
A	---	WL	2011-05-06
B	ELX-DG-004453-1	WL	2011-07-13
C	ELX-DG-008860-1	HZ	2011-12-14

spec ref	-	dr	Wei-Long Zhang	2010/12/20	projection	MM	size	A2	scale	4:1	
tolerance std	-	eng	Wei-Long Zhang	2011/12/14			ecn no ELX-DG-008860-1	rel level Released	title HPCE-STRADDLE MT (20P-12S) (RECEPTACLE)	dwg no 10116809	rev C
surface	✓	chr	Jon Qin	2011/12/15							
		appr	Pei-Ming Zheng	2011/12/15	www.fci.com		cat. no.	Product - Customer Drw		sheet 1 of 4	

Copyright FCI.
FCI



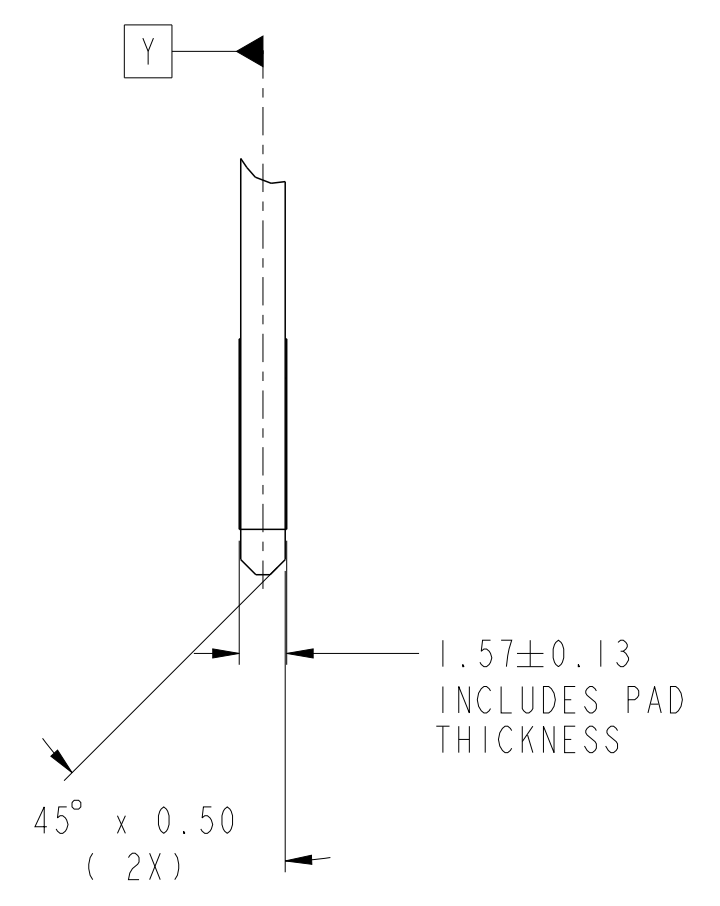
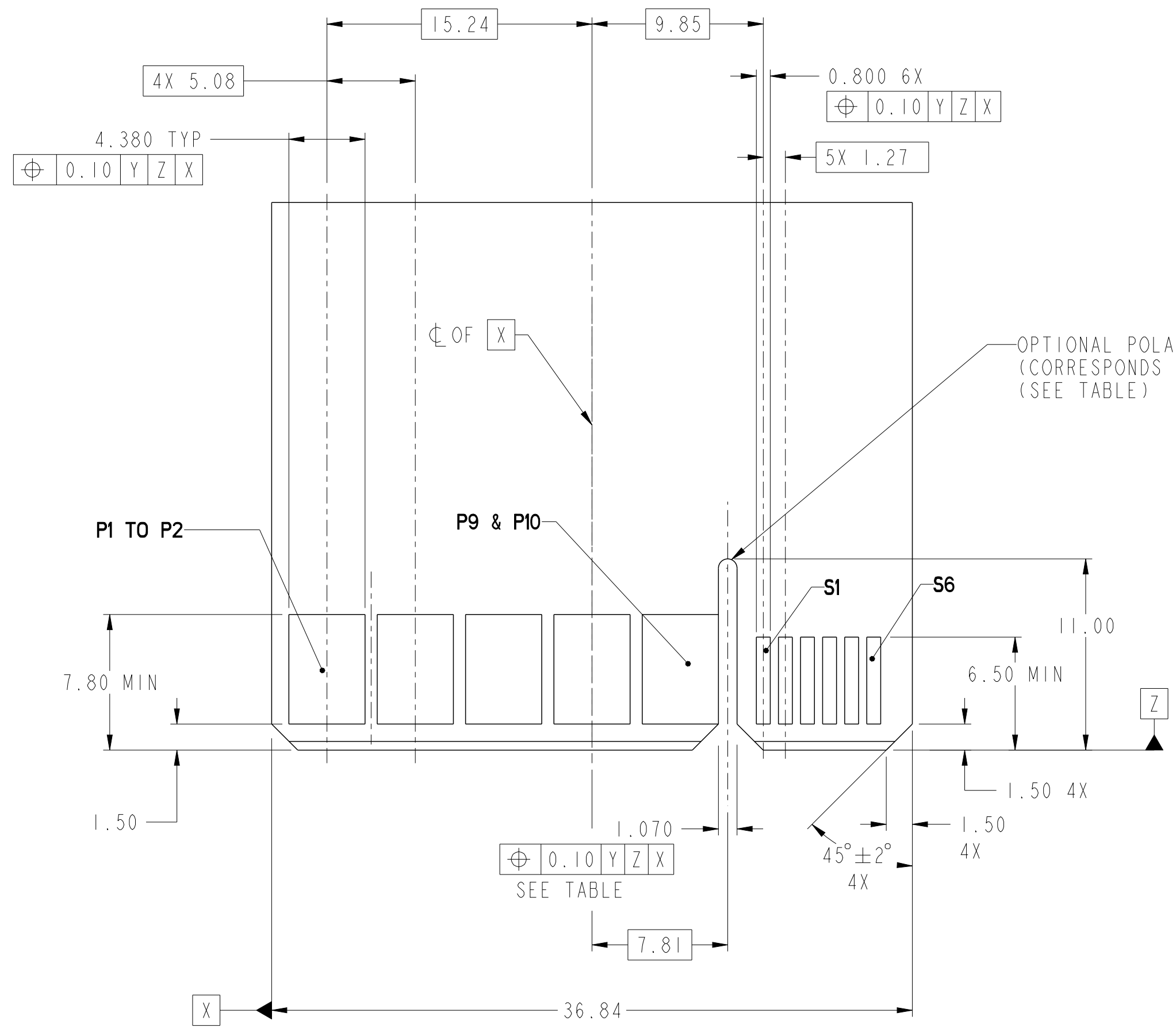
**RECOMMENDED HOST BOARD LAYOUT
AS VIEWED**



spec ref	-	dr	Wei-Long Zhang	2010/12/20	projection	MM	size	A2	scale	4:1												
tolerance std	TOLERANCES UNLESS OTHERWISE SPECIFIED	eng	Wei-Long Zhang	2011/12/14			ecn no	ELX-DG-008860-1	rel level	Released												
		chr	Jon Qin	2011/12/15																		
surface	<table border="1"> <tr> <td>linear</td> <td>0.X</td> <td>±0.3</td> </tr> <tr> <td></td> <td>0.XX</td> <td>±0.1</td> </tr> <tr> <td></td> <td>0.XXX</td> <td>±0.05</td> </tr> <tr> <td>angular</td> <td>0°</td> <td>±°</td> </tr> </table>	linear	0.X	±0.3		0.XX	±0.1		0.XXX	±0.05	angular	0°	±°	appr	Pei-Ming Zheng	2011/12/15	product family	CARD EDGE	div no	10116809	rev	C
linear	0.X	±0.3																				
	0.XX	±0.1																				
	0.XXX	±0.05																				
angular	0°	±°																				
				HPCE-STRADDLE MT (20P-12S) (RECEPTACLE)		Product - Customer Drw		sheet 2 of 4														



Copyright FCI.

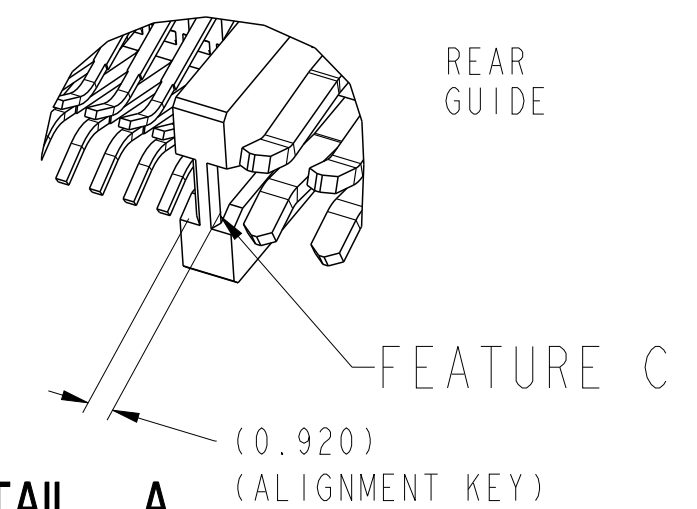
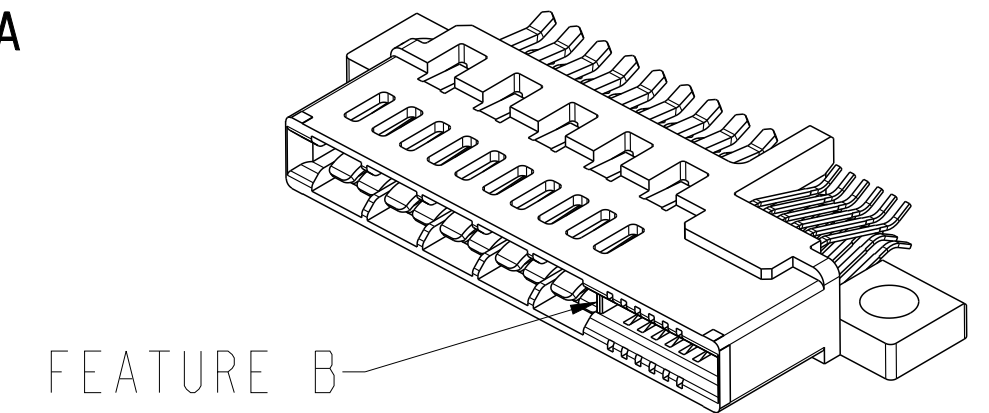
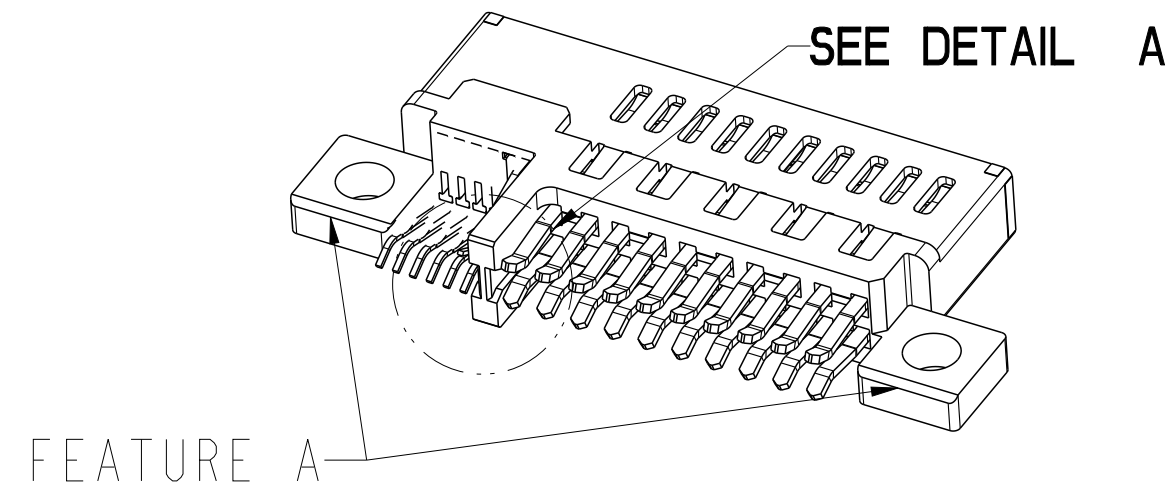


RECOMMENDED MATING BOARD FOOTPRINT

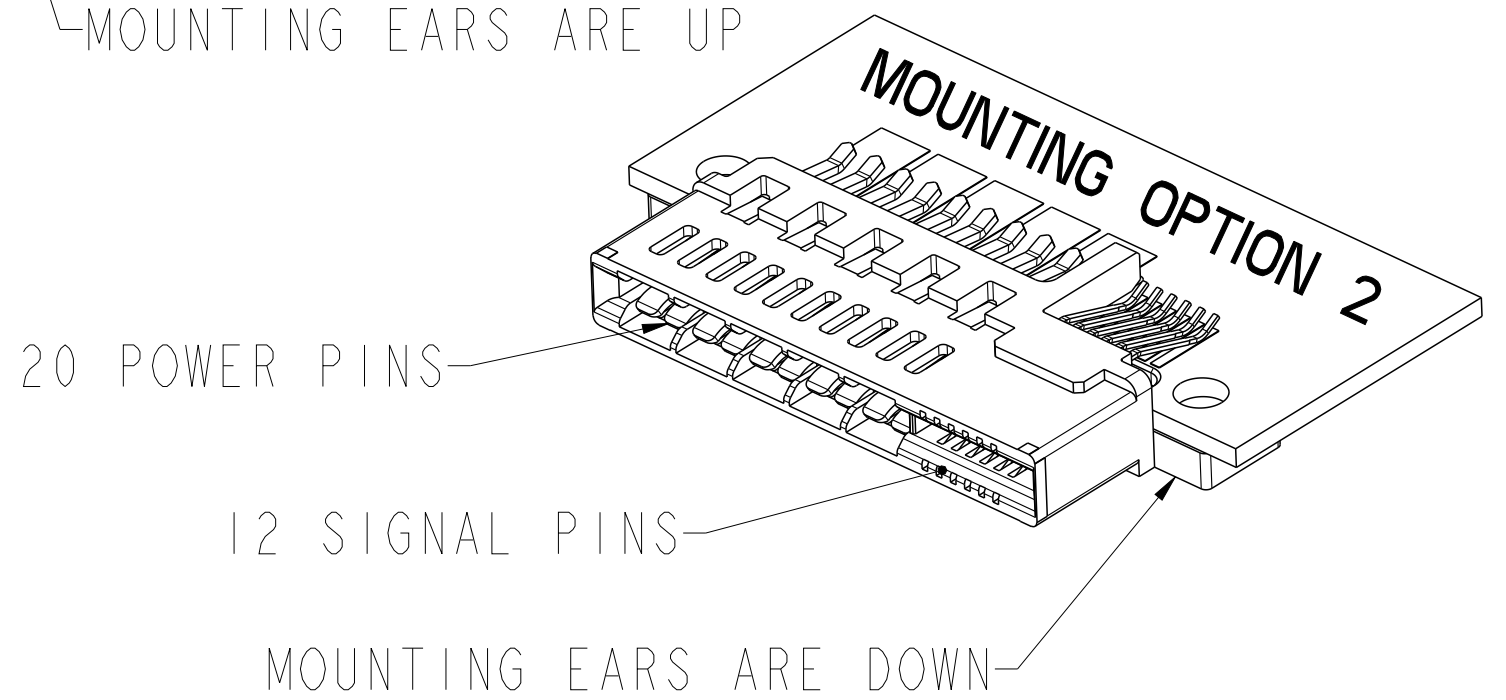
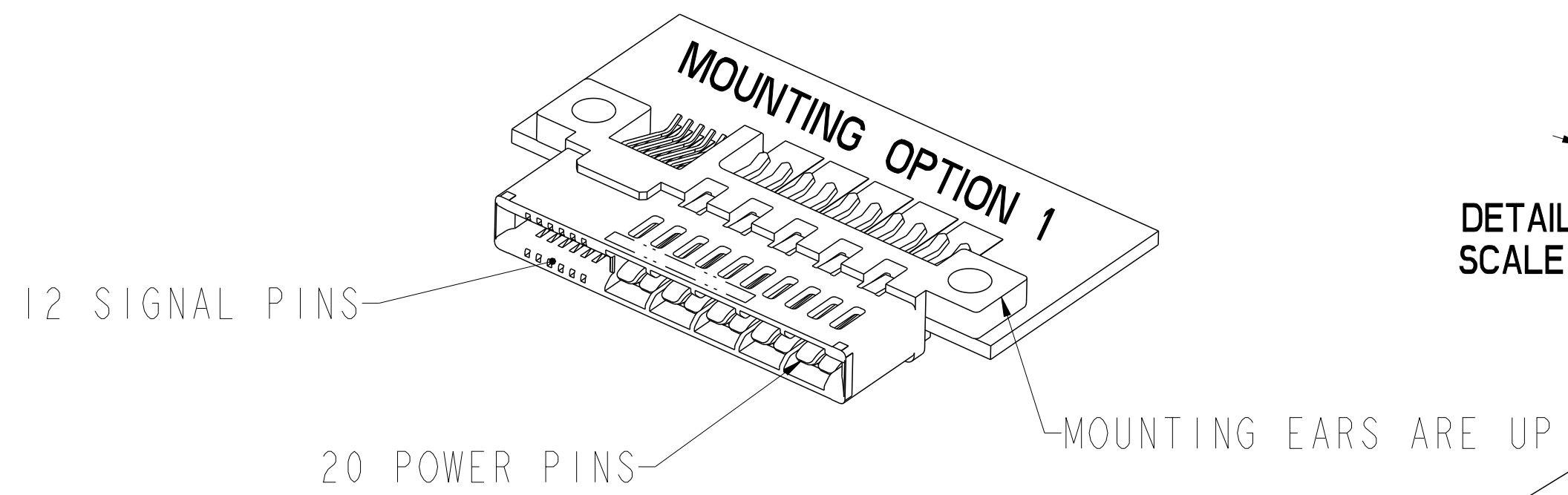
Copyright FCI.
FCI

spec ref	-	dr	Wei-Long Zhang	2010/12/20	projection	MM	size	A2	scale	4:1
tolerance std	-	eng	Wei-Long Zhang	2011/12/14			ecn no	ELX-DG-008860-1	rel level	Released
	TOLERANCES UNLESS OTHERWISE SPECIFIED	chr	Jon Qin	2011/12/15						
surface	✓	appr	Pai-Ming Zheng	2011/12/15	product family	CARD EDGE	div no	10116809	rev	C
					www.fci.com	cat. no.	Product - Customer Drw	sheet 3 of 4		

PART NUMBER	FEATURE C HOST BOARD ALIGNMENT KEY (SEE NOTE 8)	FEATURE A MOUNTING EARS	FEATURE B FRONT POLARIZATION KEY
10116809-001LF	YES	YES	NO
10116809-002LF		YES	YES
10116809-003LF		NO	NO
10116809-004LF		NO	YES
10116809-005LF	NO	YES	NO
10116809-006LF		YES	YES
10116809-007LF		NO	NO
10116809-008LF		NO	YES



DETAIL SCALE A 4:1



NOTES:

- CONNECTOR MATERIALS:
HOUSING: HIGH TEMPERATURE THERMAL PLASTIC, BLACK
UL 94V-0 COMPLIANT
CONTACTS: HIGH PERFORMANCE COPPER ALLOY.
- CONTACT FINISH REF. GS-12-604 SECTION 5.2.
- PRODUCT SPECIFICATION: GS-12-604.
- APPLICATION SPECIFICATION: GS-20-128.
- PRODUCT MARKING (FCI PART NUMBER & DATE CODE) ON HOUSING IN AREA SHOWN.
- PACKAGING MEETS FCI SPECIFICATION GS-14-937.
- HOUSING COMPONENT WILL WITHSTAND EXPOSURE TO 260°C PEAK TEMPERATURE FOR 60 SECONDS IN A CONVECTION, INFRA-RED, OR VAPOR PHASE REFLOW OVEN.
- HOST BOARD ALIGNMENT KEY IS RECOMMENDED TO ENSURE PROPER ALIGNMENT OF SOLDER TAILS WITH HOST BOARD PADS.

spec ref	-	dr	Wei-Long Zhang	2010/12/20	projection	MM	size	A2	scale	4:1		
tolerance std	-	eng	Wei-Long Zhang	2011/12/14			ecn no	ELX-DG-008860-1	rel level	Released		
		chr	Jon Qin	2011/12/15								
		appr	Pei-Ming Zheng	2011/12/15	product family	CARD EDGE						
surface	✓	linear	0.X	±0.3		title HPCE-STRADDLE MT (20P-12S) (RECEPTACLE)	dwg no 10116809	rev C	Product - Customer Drw			
		linear	0.XX	±0.1					www.fci.com	cat. no.		sheet 4 of 4
		angular	0°	±0°								

Copyright FCI. FCI