

# PTS 840 Series Microminiature SMT Side Actuated

**NEW!**

## Features/Benefits

- 3.5 x 3.55 mm footprint
- Front PIP leads option for strong shear resistance
- ESD pin option
- Reduced footprint

## Typical Applications

- Nomad devices
- Remote controls
- Personal health diagnostics
- Consumer electronics



B

Tactile Switches

## Specifications

FUNCTION: momentary action  
CONTACT ARRANGEMENT: 1 make contact = SPST N.O.  
TERMINALS: J, G and front PIP types for SMT  
TRAVEL: 0.2mm + 0.2mm / -0.1 mm  
LIFE: 100,000 cycles

| Type                      | Operating Force (gf) | SMT Leads | Pegs |
|---------------------------|----------------------|-----------|------|
| <b>without ground pin</b> |                      |           |      |
| PTS840 GM SMTR LFS        | 160 -40/+70          | G leads   | No   |
| PTS840 GK SMTR LFS        | 220 -70/+80          | G leads   | No   |
| PTS840 JM SMTR LFS        | 160 -40/+70          | J leads   | No   |
| PTS840 JK SMTR LFS        | 220 -70/+80          | J leads   | No   |
| PTS840 PM SMTR LFS        | 160 -40/+70          | P leads   | No   |
| PTS840 PK SMTR LFS        | 220 -70/+80          | P leads   | No   |
| PTS840 GMP SMTR LFS       | 160 -40/+70          | G leads   | Yes  |
| PTS840 GKP SMTR LFS       | 220 -70/+80          | G leads   | Yes  |
| PTS840 JMP SMTR LFS       | 160 -40/+70          | J leads   | Yes  |
| PTS840 JKP SMTR LFS       | 220 -70/+80          | J leads   | Yes  |
| <b>with ground pin</b>    |                      |           |      |
| PTS840 ESDGM SMTR LFS     | 160 -40/+70          | G leads   | No   |
| PTS840 ESDGK SMTR LFS     | 220 -70/+80          | G leads   | No   |
| PTS840 ESDJM SMTR LFS     | 160 -40/+70          | J leads   | No   |
| PTS840 ESDJK SMTR LFS     | 220 -70/+80          | J leads   | No   |
| PTS840 ESDPM SMTR LFS     | 160 -40/+70          | P leads   | No   |
| PTS840 ESDPK SMTR LFS     | 220 -70/+80          | P leads   | No   |
| PTS840 ESDGMP SMTR LFS    | 160 -40/+70          | G leads   | Yes  |
| PTS840 ESDGKP SMTR LFS    | 220 -70/+80          | G leads   | Yes  |
| PTS840 ESDJMP SMTR LFS    | 160 -40/+70          | J leads   | Yes  |
| PTS840 ESDJKP SMTR LFS    | 220 -70/+80          | J leads   | Yes  |

## Electrical

MAXIMUM VOLTAGE: 12 VDC  
MAXIMUM CURRENT DC: 50 mA  
DIELECTRIC STRENGTH: 250 VA C (1mm)  
CONTACT RESISTANCE: ≤ 500 mΩ  
INSULATION RESISTANCE: ≥ 100 MΩ  
BOUNCE TIME: ≤ 10 ms

## Environmental

OPERATING TEMPERATURE: -40°C to 85°C

## Process

SOLDERING: This component is suited to the following methods:  
Infrared Reflow Soldering in accordance with IEC61760-1

## Packaging

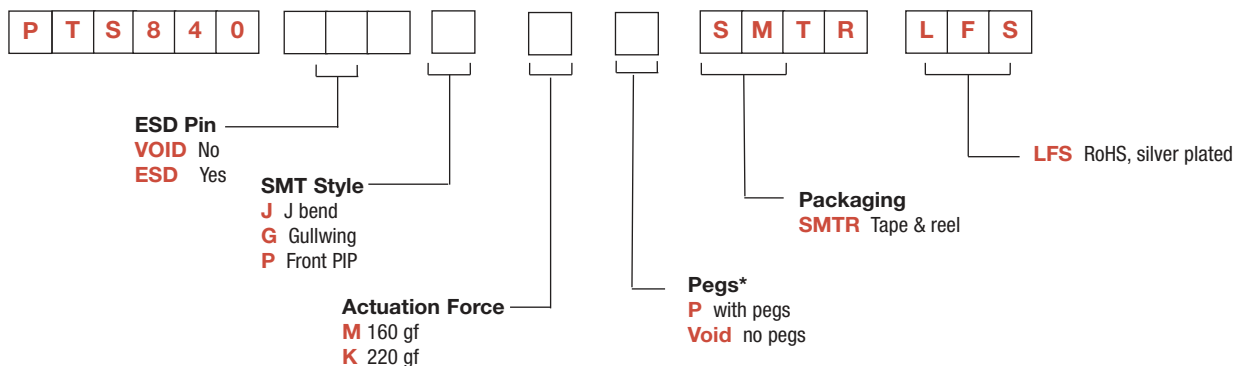
In reels of 3,500 pieces  
Dimensions of reels according to EIA 481B  
External diameter 330 mm

**NOTE:** Specifications listed above are for switches with standard options.  
For information on specific and custom switches, consult Customer Service Center.

## How To Order

Our easy build-a-switch concept allows you to mix and match options to create the switch you need. To order, select desired option from each category and place it in the appropriate box.

**For any part number different from those listed above, please consult your local representative.**



## Design Recommendations

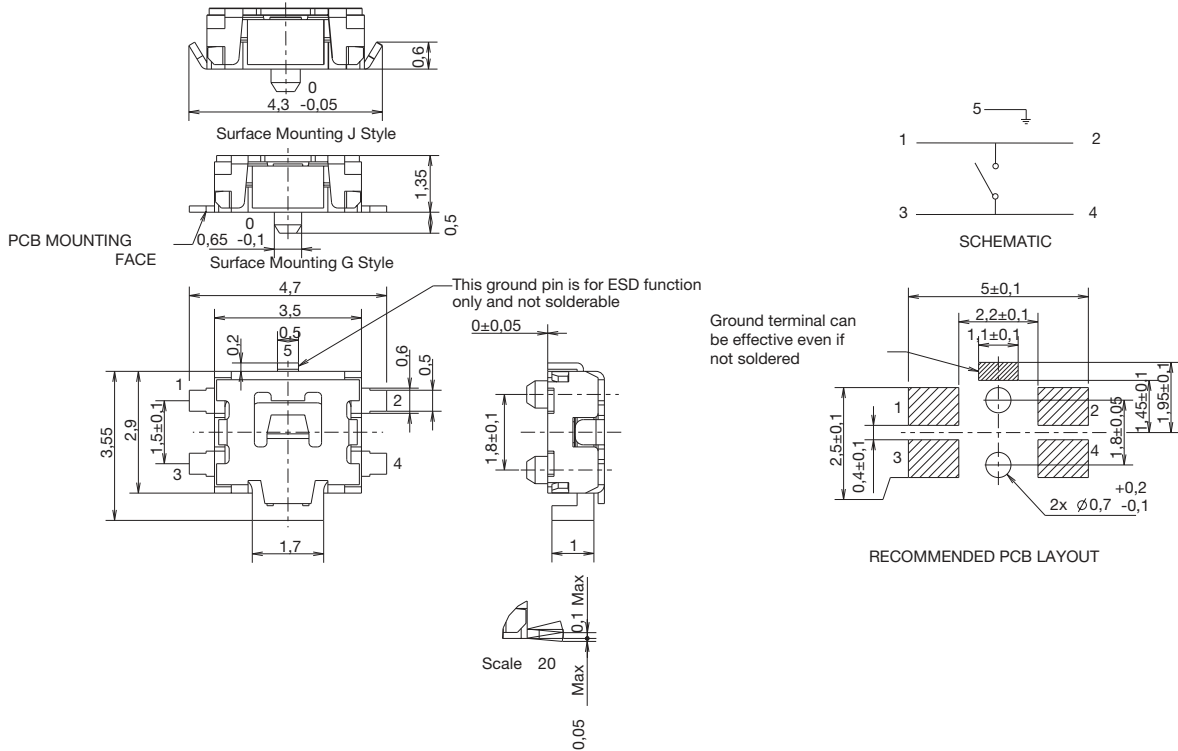
- "J" leads need to be soldered with 0.1mm solder paste thickness. Below this value, shock resistance will be decreased. A "G" lead version could easily replace it.
- "P" leads are recommended for applications where shear resistance is of importance
- When a precise alignment between application button and the switch is requested, version with pegs are the right choice to limit the possible floating of the switch during solderability.



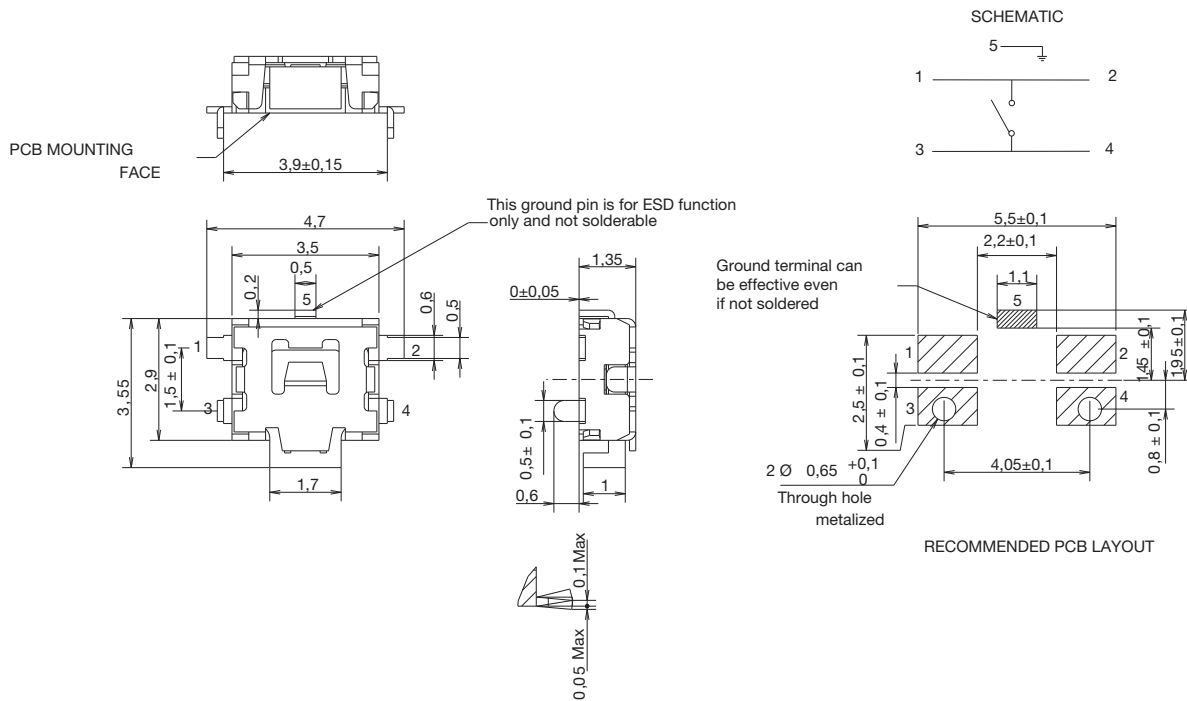
**NEW!**

# PTS 840 Series Microminiature SMT Side Actuated

## Standard J and G SMT Leads with ESD and Peg options



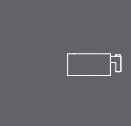
## P SMT Leads with ESD option



# PTS 840 Series Microminiature SMT Side Actuated

**NEW!**

## TAPE & REEL



**B**

**Tactile Switches**

