

0.5 Nm RPT5 3.9 Watts 3.9 W Part number made to order



- Torque rating of gearbox : 0.5 Nm, sintered metal gears
- Motors : nominal power 3 W, interference suppression for standard stocked products
- Speed range : 1 to 895 rpm
- Optional encoder built into the motor

Part numbers

| | Type | Type | Voltage | Output speed (rpm) | Ratios (i) |
|----------|-------|----------|---------|--------------------|------------|
| 82862003 | 3.9 W | 828620/2 | 12 V | 45 | 95,4 |

Specifications

General characteristics

| | |
|--|-----------------|
| Motor | 828600 |
| Gearbox | 810120 / 810122 |
| Maximum permitted torque from gearmotor under continuous conditions for 1 million turns (Nm) | 0,5 |
| Axial load static (daN) | 1 |
| Radial load static (daN) | 8 |
| Max. output power (W) | 3,9 |
| Nominal output (W) | 3 |
| Gearbox case temperature rise (°C) | 50 |
| Weight (g) | 160 / 170 |

Made to order products, available on request

Motors :

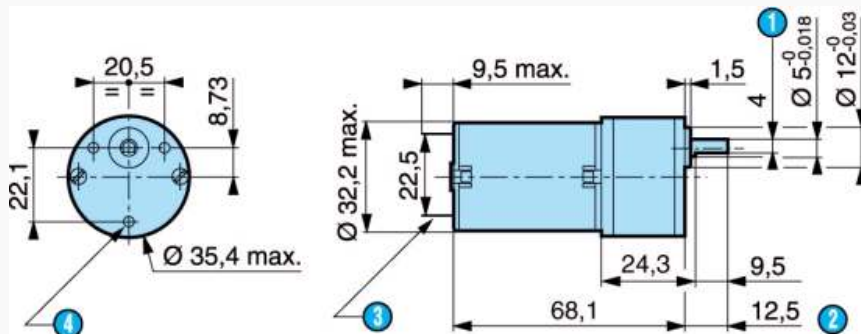
- other supply voltages
- motors with 2 ball bearings
- shaft lengths at front and/or rear
- connection by radial tags or leads
- specific interference suppression
- encoder : 5 pulses per revolution

Gearboxes :

- special shaft, no flat/length
- ball bearings
- special fixings
- other reduction ratios
- special lubrication

Dimensions (mm)

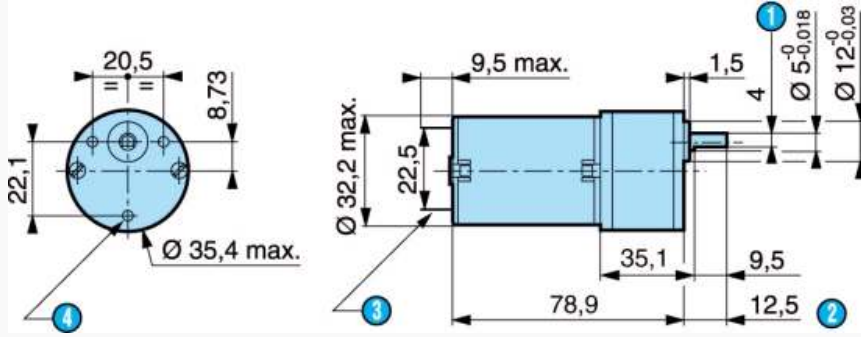
828620



| N° | Legend |
|----|---|
| 1 | 4 across flats |
| 2 | Shaft pushed-in |
| 3 | 2 standard tags NFC 20-120, series 2.8 x 0.5 mm |
| 4 | 3 holes M3 depth 4.5 mm |

Dimensions (mm)

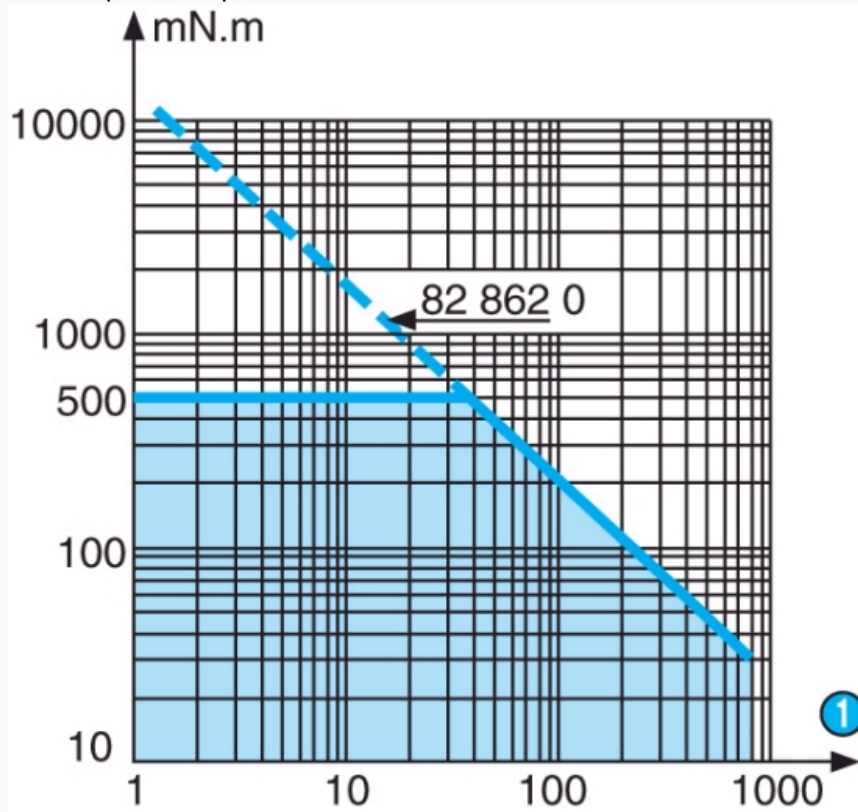
828622



| N° | Legend |
|----|---|
| 1 | 4 across flats |
| 2 | Shaft pushed-in |
| 3 | 2 standard tags NFC 20-120, series 2.8 x 0.5 mm |
| 4 | 3 holes M3 depth 4.5 mm |

Curves

Curve : torque/nominal speed



| N° | Legend |
|----|--------|
| 1 | rpm |

Product adaptations



- Special supply voltage
- Lead output
- 1 or 5 pulse Hall effect encoder
- Special connectors
- Special shaft

- Special reduction ratio
- Special materials for pinion
- Special ball bearings
- Special adaptor plate
- EMC filter
- With shorter 1 W motor