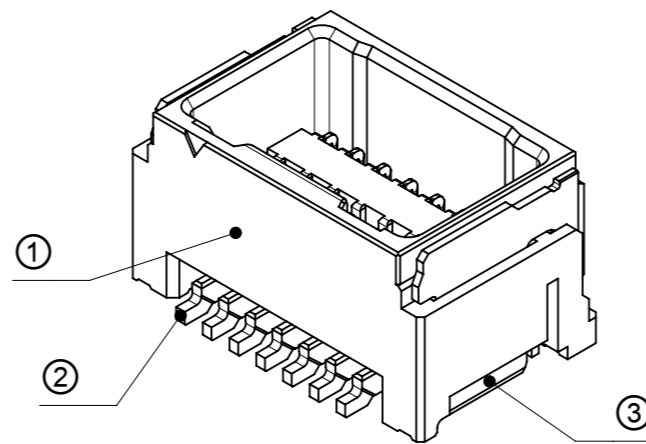
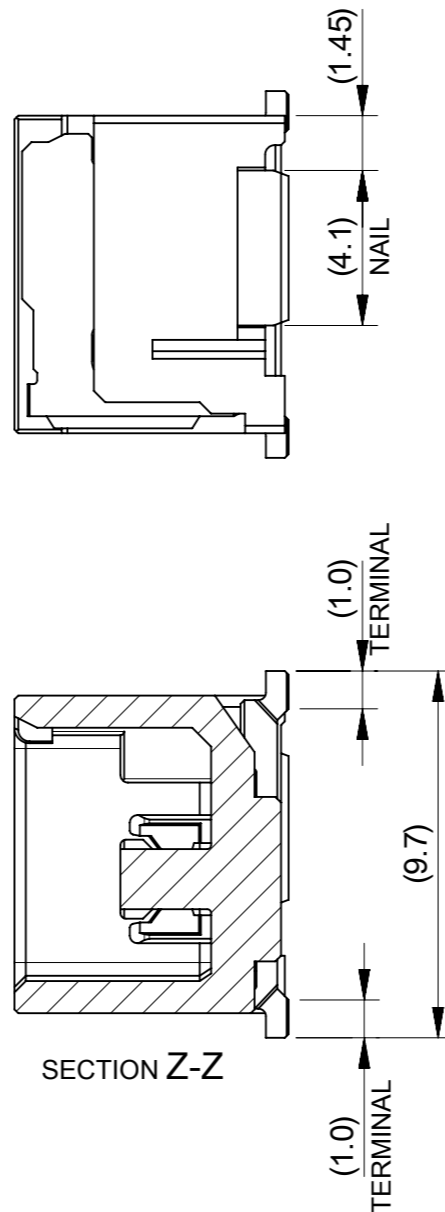
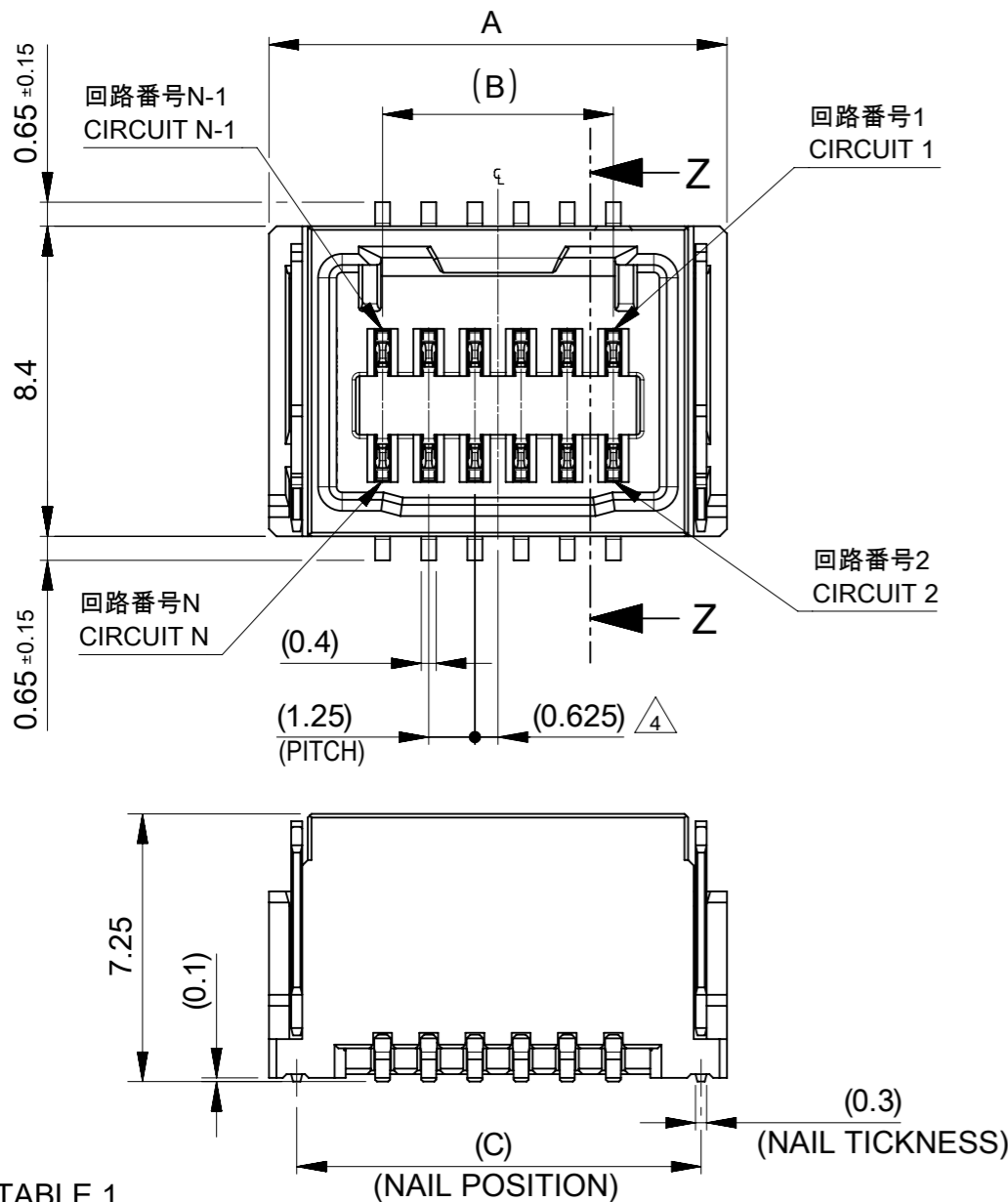


回路番号1マーク  
CIRCUIT 1 MARK



注記:  
NOTES:

- ① 材料及び仕上げ(めっき仕様): TABLE 1, TABLE2 参照  
MATERIAL AND FINISHES (PLATING SPECIFICATION): SEE TABLE 1, TABLE2.
- ② 製品仕様書、コネクタ取扱説明書、適合嵌合相手、適合リテーナーはSHEET 5を  
ご参照下さい。  
PLEASE REFER TO SHEET 5 FOR PRODUCT SPECIFICATION,  
APPLICATION SPECIFICATION, MATE WITH AND APPLICABLE RETAINER.
- 3. 端子テール部 及び ネイルの平坦度: 0.12 MAXIMUM  
TAIL AND NAIL COPLANARITY TO BE 0.12 MAXIMUM
- ④ 極数 / 2 = 偶数に適合  
APPLY TO CIRCUIT SIZE / 2 = EVEN.
- ⑤ 発注番号: SHEET 5 参照  
ORDER NUMBER: PLEASE REFER TO SHEET 5



207760\*\*\*\*

番号 NO.	カバーテープ COVER TAPE	番号 NO.	ハウジングカラー HOUSING COLOR
7	無 WITHOUT	0	ナチュラル(白) NATURAL(WHITE)
8	有 WITH	1	黒 BLACK
		2	赤 RED
		3	黄 YELLOW
		4	青 BLUE

④ TABLE 1

番号 NO.	部品 PART	材質 MATERIAL	
①	ハウジング HOUSING	ポリアミド(PA) UL94V-0 色: SHEET 5参照 POLYAMIDE(PA) UL94V-0 COLOR: SEE SHEET 5	
②	ターミナル TERMINAL	黄銅 BRASS	
		接点部、テール部めっき CONTACT, TAIL PLATING	錫ビスマスめっき: 1.0 MICROMETER MINIMUM TIN-BISMUTH PLATING
③	ネイル NAIL	黄銅 BRASS	
		テール部めっき TAIL PLATING	錫ビスマスめっき: 1.0 MICROMETER MINIMUM TIN-BISMUTH PLATING
		下地めっき UNDER PLATING	ニッケルめっき: 1.0 MICROMETER MINIMUM NICKEL PLATING (UNDER PLATING)

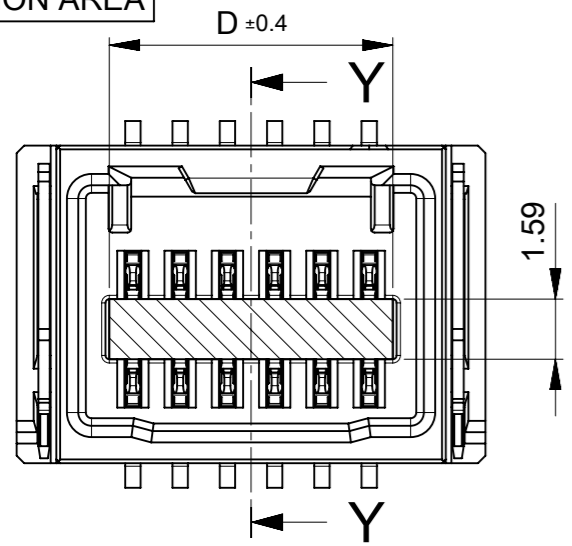
12.2	7.5	13.65	14
10.95	6.25	12.4	12
9.7	5	11.15	10
8.45	3.75	9.9	8
8.1	2.5	9.55	6
6.85	1.25	8.3	4
C	B	A	極数 CIRCUIT SIZE

THIS DRAWING CONTAINS INFORMATION THAT IS PROPRIETARY TO MOLEX ELECTRONIC TECHNOLOGIES, LLC AND SHOULD NOT BE USED WITHOUT WRITTEN PERMISSION

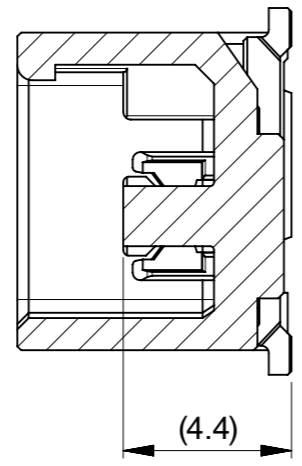
DIMENSION UNITS	SCALE	CURRENT REV DESC:	
mm	NTS		
GENERAL TOLERANCES (UNLESS SPECIFIED)		<p><b>molex</b></p> <p>MICRO-LOCK PLUS 1.25 W/B DUAL ROW VERTICAL SMT PLUG ASSEMBLY FOR POTTING</p> <p>PRODUCT CUSTOMER DRAWING</p>	
ANGULAR TOL	± 3.0 °		
4 PLACES	± 0.2		
3 PLACES	± 0.2		
2 PLACES	± 0.2		
1 PLACE	± 0.2	EC NO: 736271	2022/12/27
0 PLACES	± 0.2	DRWN: SOKUMURA01	2023/02/16
DRAFT WHERE APPLICABLE MUST REMAIN WITHIN DIMENSIONS		CHK'D: SAKIYAMA	2023/02/16
THIRD ANGLE PROJECTION		APPR: AIDA	2023/02/16
DRAWING	SERIES	INITIAL REVISION:	DOCUMENT NUMBER
A3-SIZE	207760	DRWN: TENAGASE	2077600000-SD
MATERIAL NUMBER		APPR: KOMURAKAMI	DOC TYPE
SEE SHEET 5		2019/05/31	PSD
CUSTOMER		2020/01/16	000
GENERAL			C
SHEET NUMBER			1 OF 5



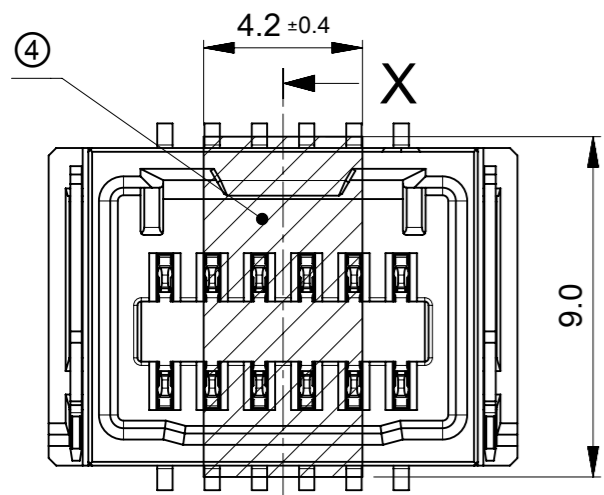
吸着エリア  
SUCTION AREA



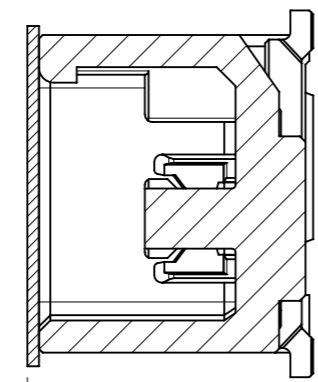
カバーテープ無  
WITHOUT COVER TAPE  
207760 \*\*7\*



SECTION Y-Y  
吸着高さ  
SUCTION HEIGHT

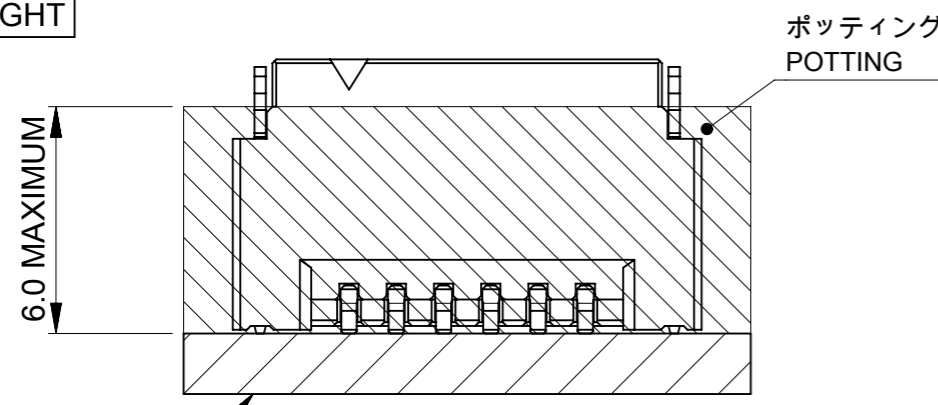


カバーテープ有  
WITH COVER TAPE  
207760 \*\*8\*

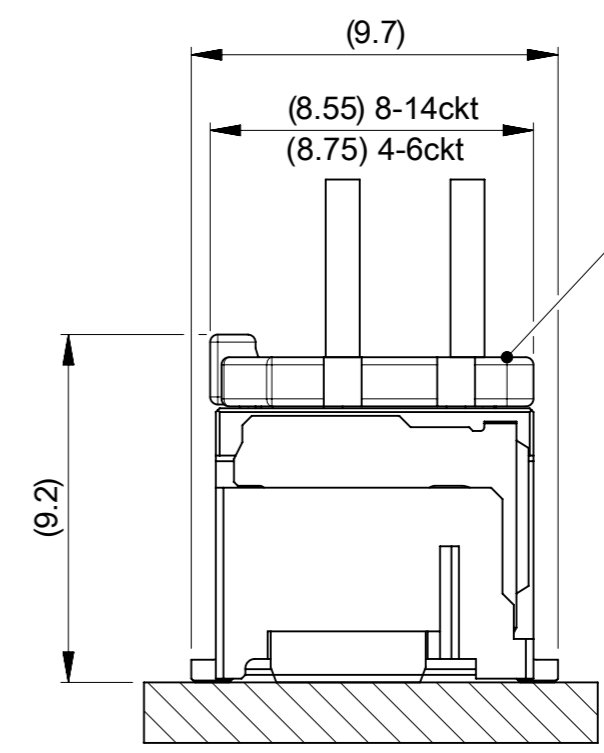
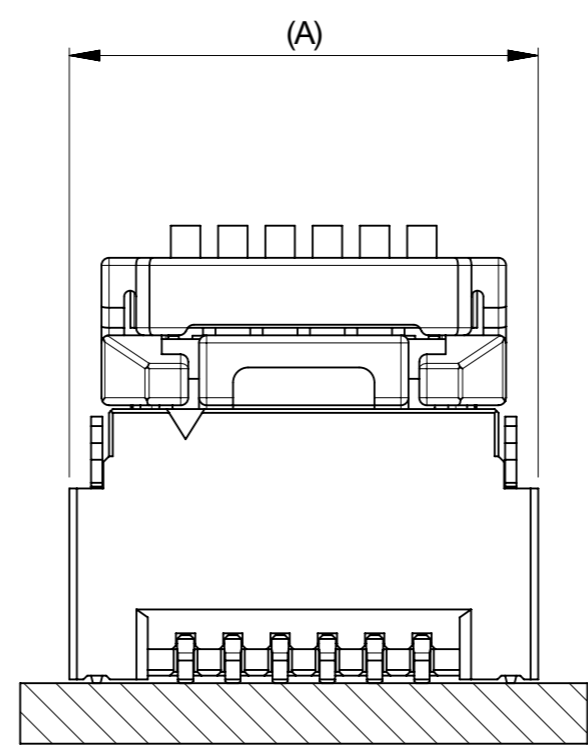
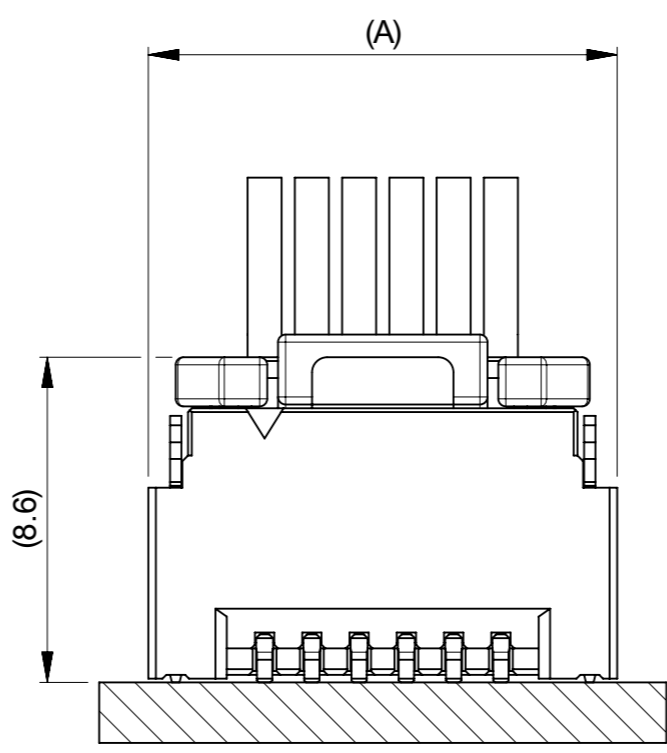


SECTION X-X  
カバーテープ高さ  
COVER TAPE HEIGHT

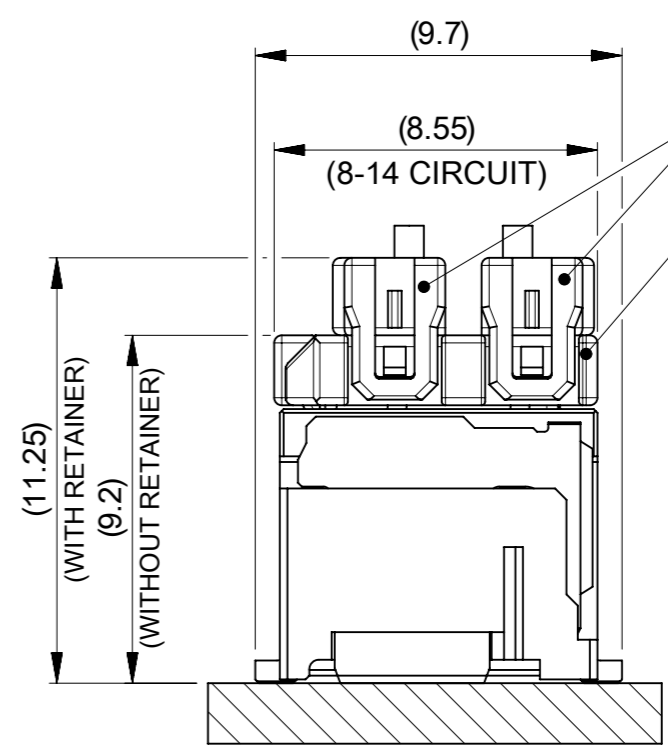
ポッティング高さ  
POTTING HEIGHT



嵌合状態図  
MATED CONNECTORS



嵌合相手 : 204523シリーズ  
MATE WITH : 204523 SERIES



リテーナー : 214528シリーズ  
RETAINER : 214528 SERIES  
嵌合相手 : 214527シリーズ  
MATE WITH : 214527 SERIES

8.75	14	無 WITHOUT
7.5	12	
6.25	10	
5	8	
3.75	6	
2.5	4	
D	極数 CIRCUIT SIZE	カバーテープ COVER TAPE

TABLE2

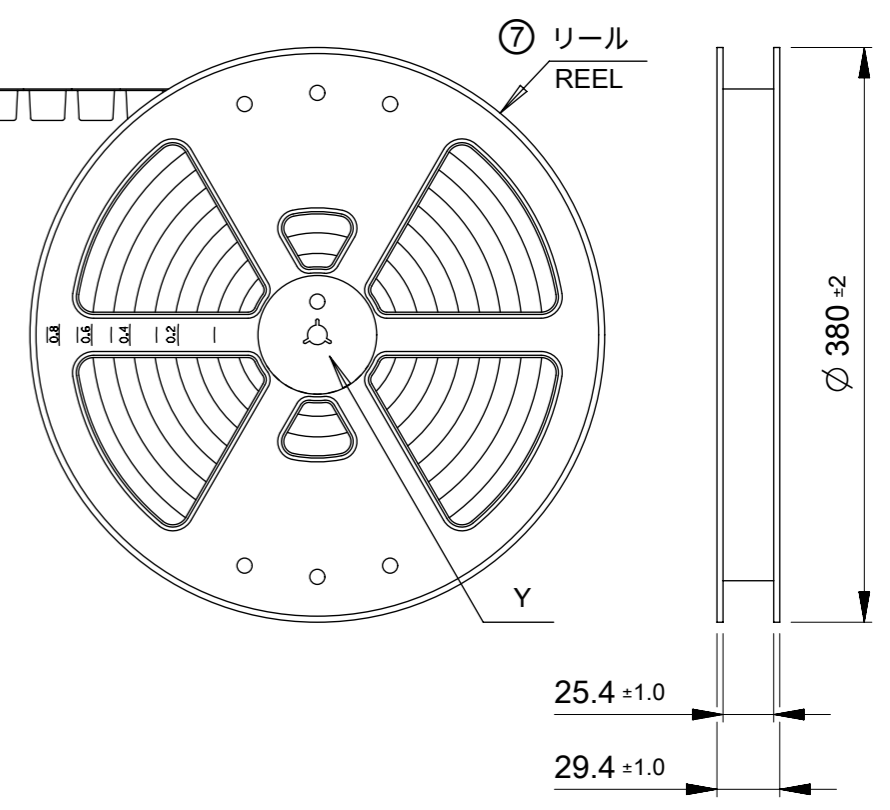
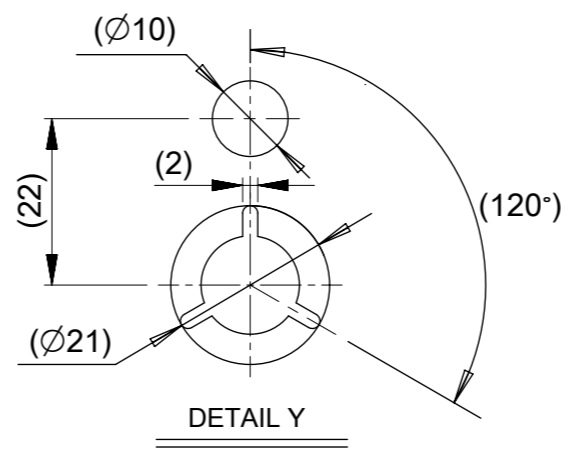
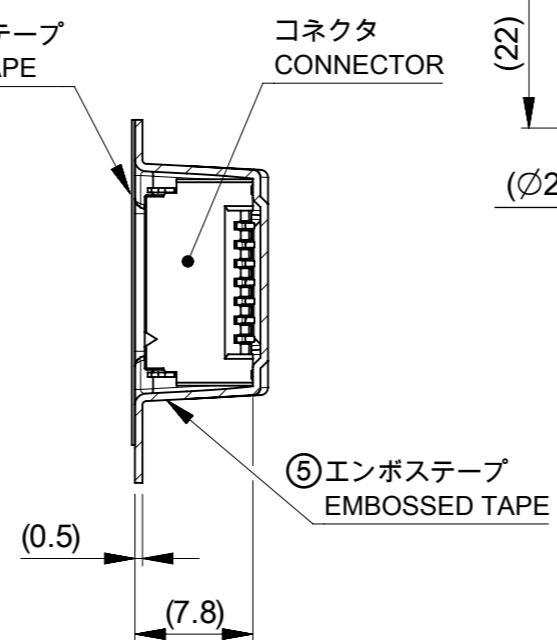
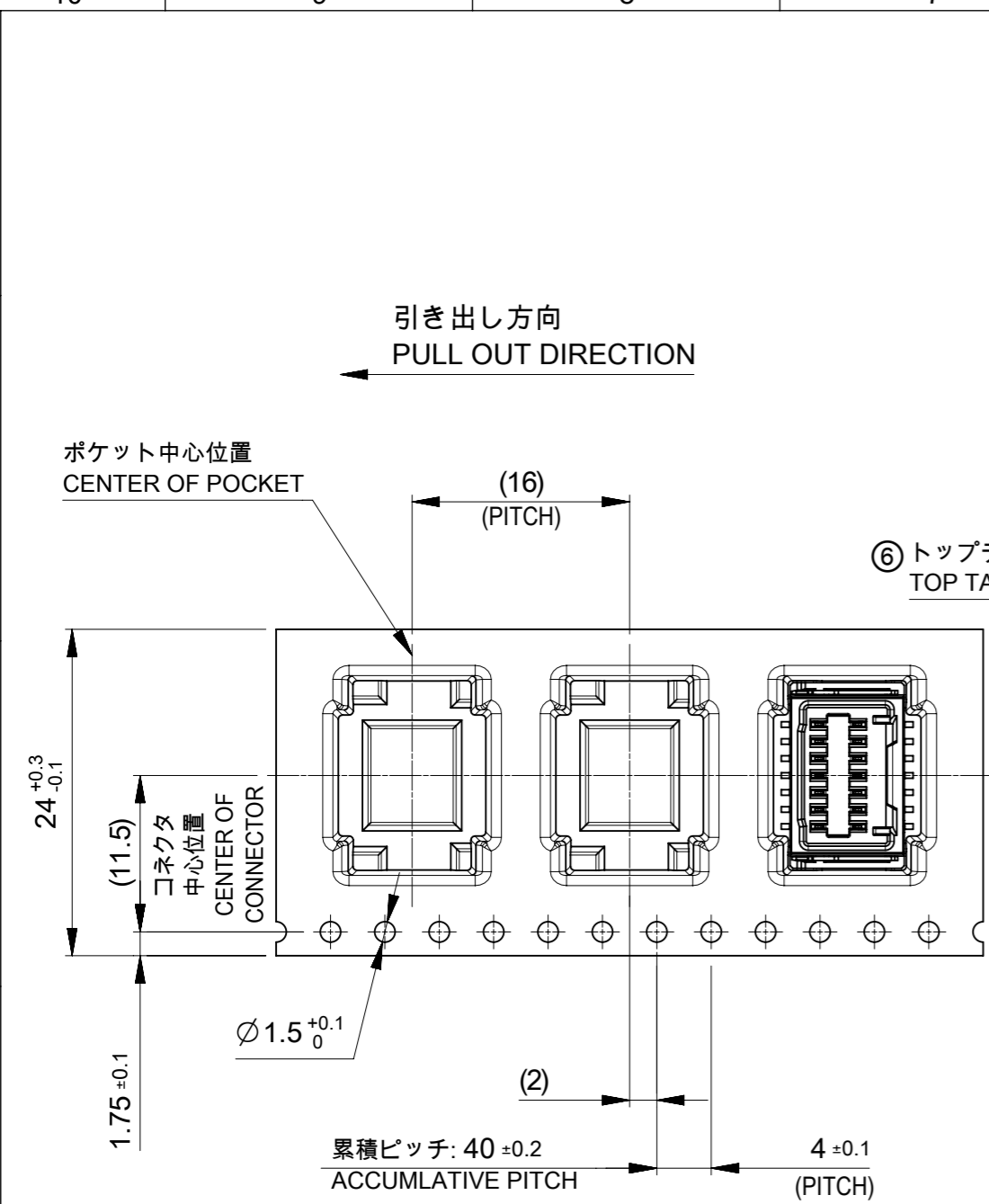
番号 NO.	部品 PART	材質 MATERIAL
④	カバーテープ COVER TAPE	ポリイミド POLYIMIDE

DOCUMENT STATUS P1 RELEASE DATE 2023/02/16 15:22:35

THIS DRAWING CONTAINS INFORMATION THAT IS PROPRIETARY TO MOLEX ELECTRONIC TECHNOLOGIES, LLC AND SHOULD NOT BE USED WITHOUT WRITTEN PERMISSION

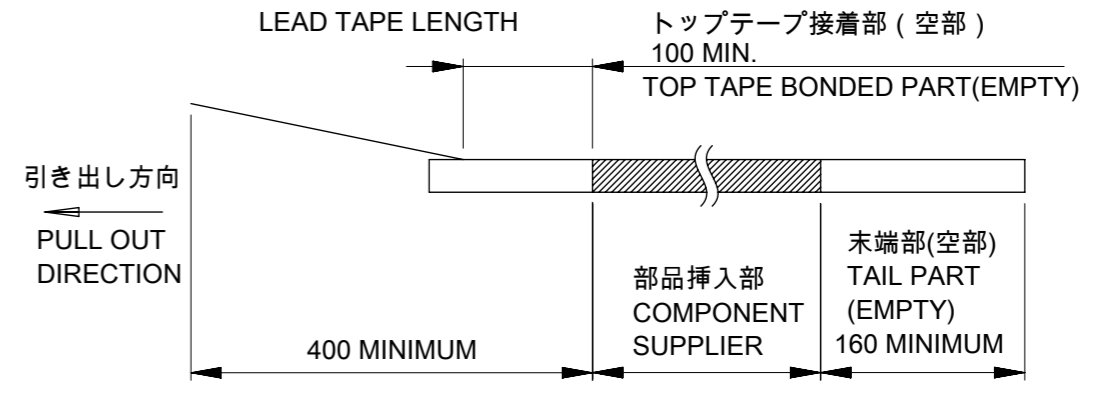
DIMENSION UNITS mm	SCALE NTS	CURRENT REV DESC:	
GENERAL TOLERANCES (UNLESS SPECIFIED)		EC NO: 736271	
ANGULAR TOL	± 3.0 °	DRWN: SOKUMURA01	2022/12/27
4 PLACES	± 0.2	CHK'D: SAKIYAMA	2023/02/16
3 PLACES	± 0.2	APPR: AIDA	2023/02/16
2 PLACES	± 0.2	INITIAL REVISION:	
1 PLACE	± 0.2	DRWN: TENAGASE	2019/05/31
0 PLACES	± 0.2	APPR: KOMURAKAMI	2020/01/16
DRAFT WHERE APPLICABLE MUST REMAIN WITHIN DIMENSIONS		THIRD ANGLE PROJECTION	DRAWING SERIES
		A3-SIZE	207760
		MATERIAL NUMBER	CUSTOMER
		SEE SHEET 5	GENERAL
		DOCUMENT NUMBER	DOC TYPE DOC PART REVISION
		2077600000-SD	PSD 000 C
		SHEET NUMBER	
		3 OF 5	

**molex**  
MICRO-LOCK PLUS 1.25 W/B  
DUAL ROW VERTICAL SMT PLUG ASSEMBLY  
FOR POTTING  
PRODUCT CUSTOMER DRAWING



注記 NOTES

- 6. 梱包数量 : 500個/リール  
NUMBER OF CONNECTORS : 500 PIECES/REEL.
- 7. リードテープ長さ  
LEAD TAPE LENGTH



8. トップテープの剥離強度については、IEC60286-3に準拠  
TOP TAPE PEELING FORCE IS DEFINED BY IEC60286-3.

TABLE3

番号 NO.	部品 PART	材質 MATERIAL
⑤	エンボステープ EMBOSSED TAPE	ポリスチレン(PS) POLYSTYRENE(PS)
⑥	トップテープ TOP TAPE	ポリエチレン(PE)、その他 POLYETHYLENE(PE), etc
⑦	リール REEL	ポリスチレン(PS) <リサイクル材を含む> POLYSTYRENE(PS) < RECYCLE MATERIAL CONTAINED >

THIS DRAWING CONTAINS INFORMATION THAT IS PROPRIETARY TO MOLEX ELECTRONIC TECHNOLOGIES, LLC AND SHOULD NOT BE USED WITHOUT WRITTEN PERMISSION		CURRENT REV DESC:			
DIMENSION UNITS	SCALE				
mm	NTS			MICRO-LOCK PLUS 1.25 W/B DUAL ROW VERTICAL SMT PLUG ASSEMBLY FOR POTTING	
GENERAL TOLERANCES (UNLESS SPECIFIED)				PRODUCT CUSTOMER DRAWING	
ANGULAR TOL	± 3.0 °			DOCUMENT NUMBER	
4 PLACES	± 0.2	EC NO: 736271		2077600000-SD	
3 PLACES	± 0.2	DRWN: SOKUMURA01		PSD	
2 PLACES	± 0.2	2022/12/27		000	
1 PLACE	± 0.2	CHK'D: SAKIYAMA		C	
0 PLACES	± 0.2	APPR: AIDA		REVISION	
DRAFT WHERE APPLICABLE MUST REMAIN WITHIN DIMENSIONS		INITIAL REVISION:		SHEET NUMBER	
THIRD ANGLE PROJECTION		DRWN: TENAGASE		4 OF 5	
DRAWING		2019/05/31			
SERIES		2020/01/16			
MATERIAL NUMBER		A3-SIZE			
CUSTOMER		207760			
SEE SHEET 5		GENERAL			

△ 2 適合製品及び各種仕様書 APPLICABLE PRODUCTS AND VARIOUS SPECIFICATIONS

梱包仕様書 PACKAGING SPECIFICATION		2077609200-SPK PS 200	
適合嵌合相手 MATE WITH	シリーズ番号 SERIES NUMBER	204523	214527
	リテーナー対応 RETAINER APPLICABLE	NOT COMPLIANT	COMPLIANT (NATURAL, BLACK)
適合リテーナーシリーズ番号 APPLICABLE RETAINER SERIES NUMBER		-	214528
製品仕様書 PRODUCT SPECIFICATION		2045230001-PS PS 000	2145270001-PS PS 000
コネクタ取扱説明書 APPLICATION SPECIFICATION		5054320000-AS PS 000	

△ 5 207760\*\*\*\* 発注番号一覧 ORDER NUMBER LIST

NOT COMPLIANT			COMPLIANT		LOW HALOGEN	
BLUE	YELLOW	RED	BLACK	NATURAL (WHITE)	HOUSING COLOR	
---	---	---	2077601481	2077601480	14	
---	---	---	2077601281	2077601280	12	
---	---	---	2077601081	2077601080	10	
---	---	---	2077600881	2077600880	8	
2077600684	2077600683	2077600682	2077600681	2077600680	6	
2077600484	2077600483	2077600482	2077600481	2077600480	4	
---	---	---	2077601471	2077601470	14	
---	---	---	2077601271	2077601270	12	
---	---	---	2077601071	2077601070	10	
---	---	---	2077600871	2077600870	8	
2077600674	2077600673	2077600672	2077600671	2077600670	6	
2077600474	2077600473	2077600472	2077600471	2077600470	4	
発注番号 ORDER NUMBER					極数 CIRCUIT SIZE	カバーテープ COVER TAPE
梱包形態 PACKAGING STYLE エンボステープ、リール EMBOSSED TAPE AND REEL						

THIS DRAWING CONTAINS INFORMATION THAT IS PROPRIETARY TO MOLEX ELECTRONIC TECHNOLOGIES, LLC AND SHOULD NOT BE USED WITHOUT WRITTEN PERMISSION

DIMENSION UNITS mm	SCALE NTS	CURRENT REV DESC:		<b>molex</b>		
GENERAL TOLERANCES (UNLESS SPECIFIED)		EC NO: 736271				
ANGULAR TOL ± 3.0 °	4 PLACES ± 0.2	DRWN: SOKUMURA01	2022/12/27	PRODUCT CUSTOMER DRAWING		
3 PLACES ± 0.2	2 PLACES ± 0.2	CHK'D: SAKIYAMA	2023/02/16	DOCUMENT NUMBER		
2 PLACES ± 0.2	1 PLACE ± 0.2	APPR: AIDA	2023/02/16	2077600000-SD		
1 PLACE ± 0.2	0 PLACES ± 0.2	INITIAL REVISION:		DOC TYPE	DOC PART	REVISION
DRAFT WHERE APPLICABLE MUST REMAIN WITHIN DIMENSIONS		DRWN: TENAGASE	2019/05/31	PSD	000	C
THIRD ANGLE PROJECTION		APPR: KOMURAKAMI	2020/01/16	SHEET NUMBER		
DRAWING		SERIES		5 OF 5		
A3-SIZE		207760		SEE CHART		
CUSTOMER		GENERAL				