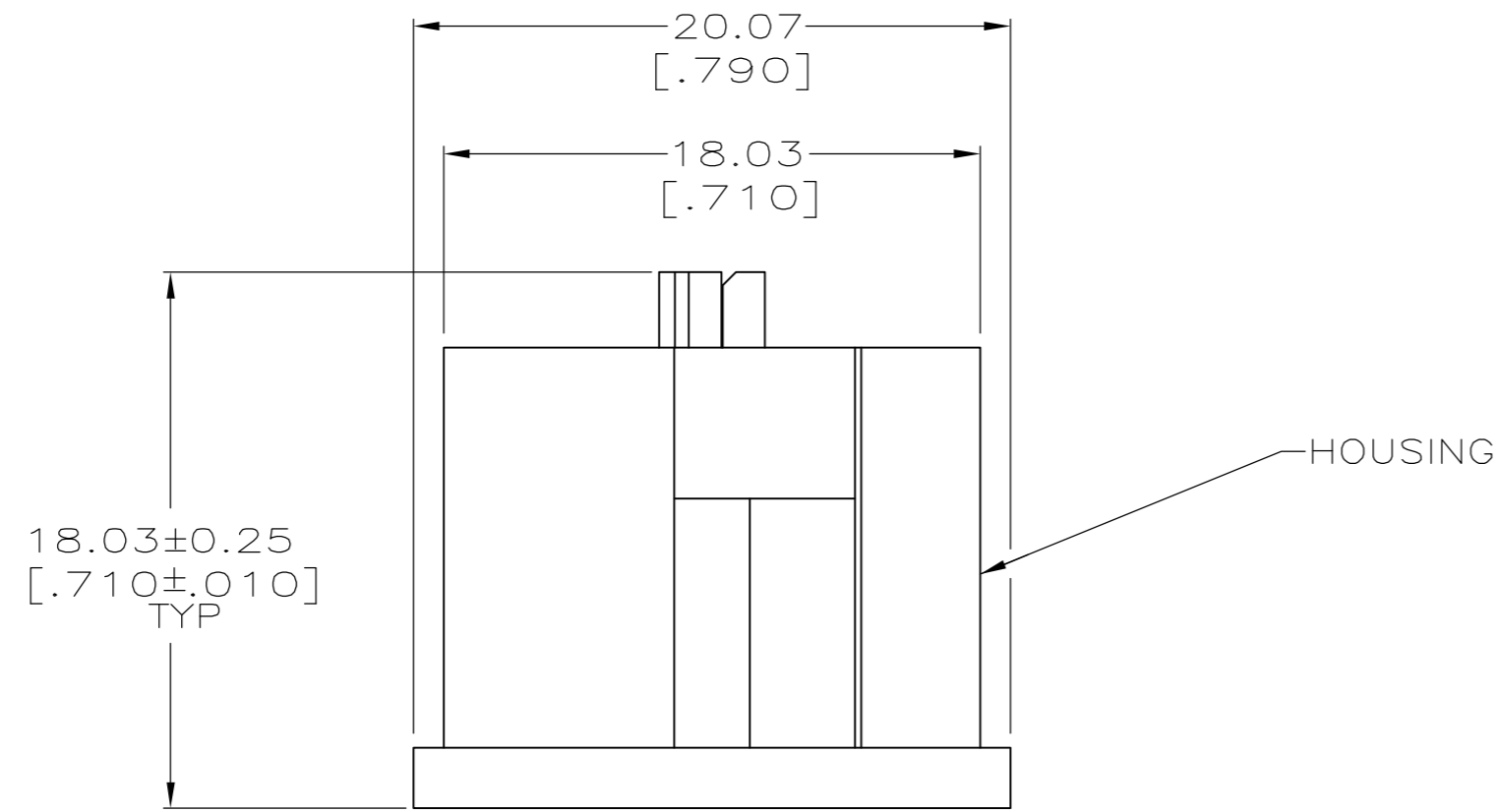
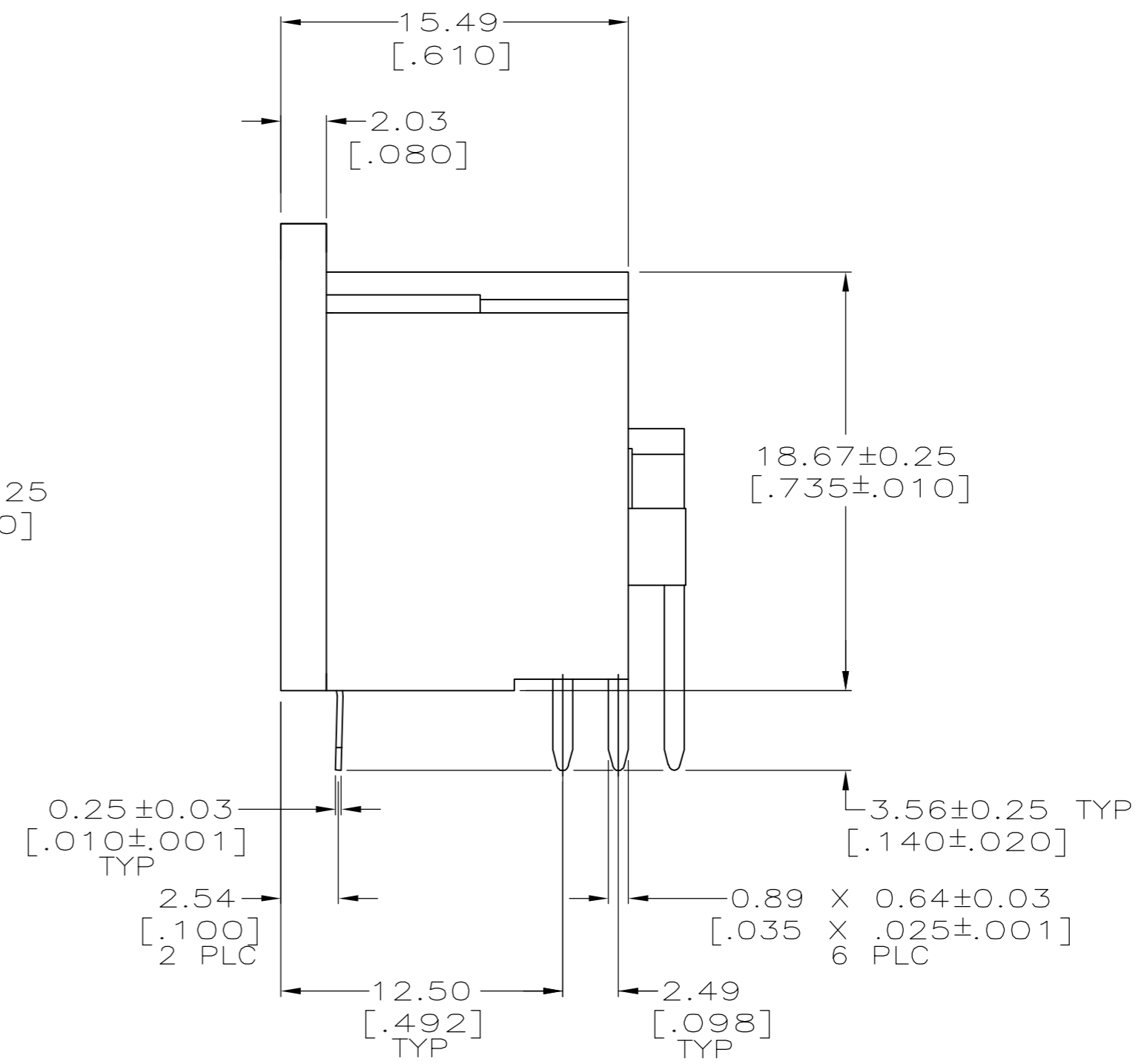
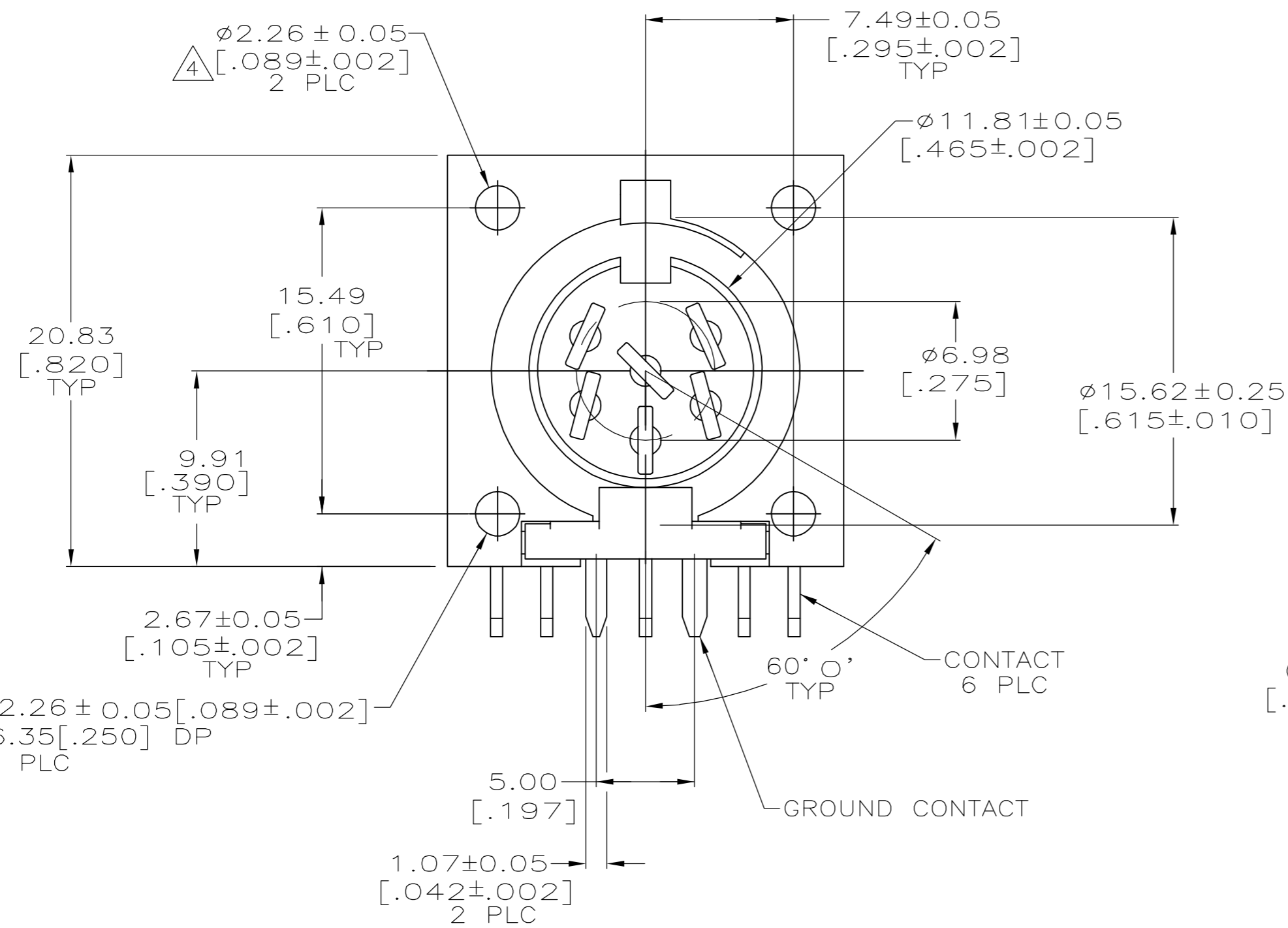


THIS DRAWING IS UNPUBLISHED. RELEASED FOR PUBLICATION
 © COPYRIGHT BY TYCO ELECTRONICS CORPORATION. ALL RIGHTS RESERVED.

LOC		DIST		REVISIONS			
P	LTR	DESCRIPTION		DATE	DWN	APVD	
GP	00	01		REVISED PER ECO-07-008008	10APR07	JDP/CWR	



- ① HOUSING: NYLON, UL 94V-0 RATED, BLACK.
- ② CONTACTS & GROUND CONTACT: 2.54μm [.000100] MIN TIN OVER 1.27μm [.000050] MIN NICKEL.
- ③ ACCEPTS #2 SELF-TAPPING SCREW, 6.35[.250] LONG REF.
- ④ CONTACTS & GROUND CONTACT: BRASS.



5786290-1
 PART NO

THIS DRAWING IS A CONTROLLED DOCUMENT.		DWN L. VARELA - DOCK5 11-12-04	Tyco Electronics Corporation Harrisburg, PA 17105-3608	
DIMENSIONS: mm [INCHES]		CHK C. ROHDE 11-12-04	NAME RECEPTACLE ASSY, RIGHT ANGLE, 6 POSITION, CIRCULAR DIN	
TOLERANCES UNLESS OTHERWISE SPECIFIED:		APVD M. WALMSLEY 11-12-04	PRODUCT SPEC 108-10047	
0 PLC ± -	1 PLC ± -	APPLICATION SPEC 114-40025	SIZE A2	CAGE CODE 00779
2 PLC ± 0.13[.005]	3 PLC ± -	WEIGHT -	DRAWING NO C=5786290	RESTRICTED TO -
4 PLC ± -	ANGLES ± 0° 30'	FINISH ① ② ③	SCALE 4:1	SHEET 1 of 1
CUSTOMER DRAWING			REV 01	