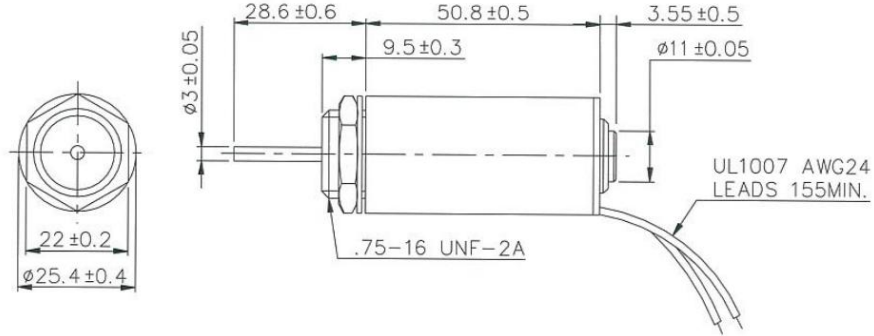
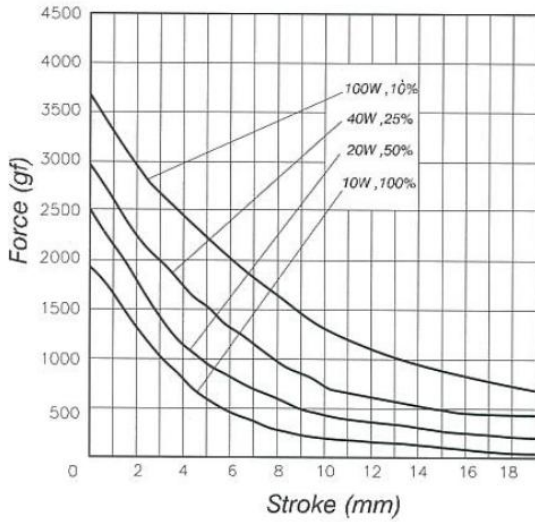


# SMT - 2551S

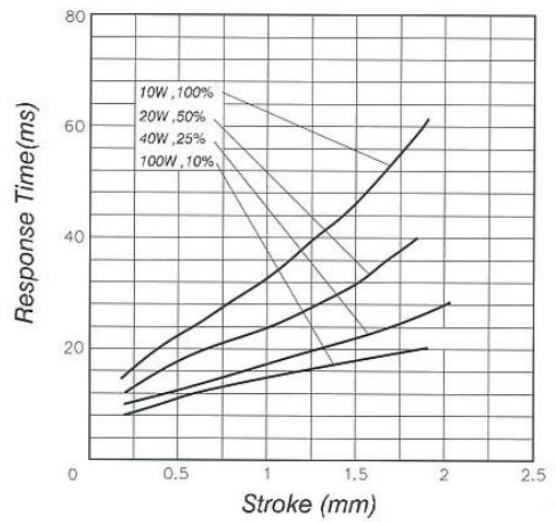
## Mechanical Drawing



## Stroke / Force Curve



## Stroke / Response Time Curve



## Stroke / Force Technical Data

$\text{Duty cycle (\%)} = \frac{\text{"ON" time}}{\text{ON time} + \text{OFF time}} \times 100\%$		100%	50%	25%	10%
		Continuous	Intermittent		
MAX On time/S		$\infty$	360	32	8
Power@20°C		10	20	40	100
Type Number	Resistance (20°C) $\Omega \pm 10\%$	Volts DC (V)			
SMO-2551S-06AA	3.6	6	8.5	12	19
SMO-2551S-12AA	14.4	12	17	24	38
SMO-2551S-24AA	57.6	24	34	48	76
SMO-2551S-48AA	230.4	48	68	96	152