



**HANDLE SHANKS**

Glass-fibre reinforced polyamide based (PA) technopolymer, RAL 9005 black colour, semi-matte finish.  
Tapped brass bosses.

**BAR**

Aluminium bar, ground surface, black colour anodised.

**SPECIAL EXECUTIONS ON REQUEST**

- Different lengths.
- Bars and handle shanks in different colour combinations (black or natural).



**MATERIAL**

Glass-fibre reinforced polyamide based (PA) technopolymer.

**COLOUR**

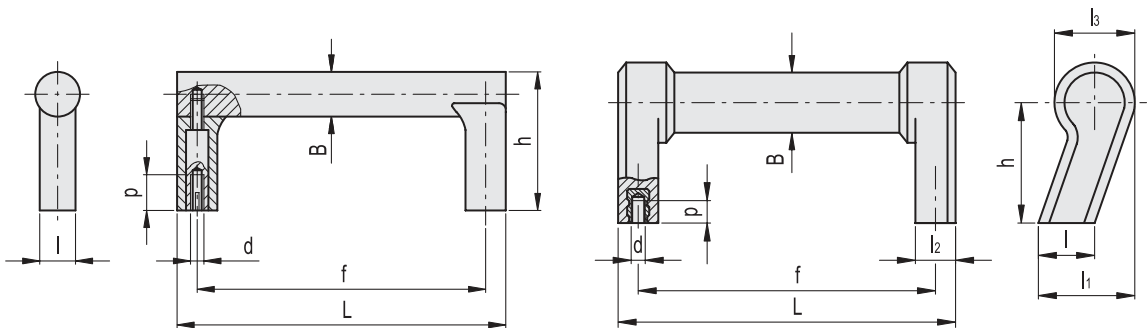
Black, semi-matte finish.

**STANDARD EXECUTION**

Tapped brass bosses.



Conversion Table	
1 mm = 0.039 inch	
L	
mm	inch
67	2.64
100	3.94
112	4.41
135	5.31
155	6.10
195	7.68



Code	f	L	d	p	B	h	l	⚖️
RHUR-12.055.B04	55	67	M4	10	12	37	10	35
RHUR-12.088.B04	88	100	M4	10	12	37	10	44
RHUR-12.100.B04	100	112	M4	10	12	37	10	48
RHUR-15.120.B04	120	135	M4	10	15	43.5	12	83
RHUR-15.180.B04	180	195	M4	10	15	43.5	12	112



Code	f	L	d	p	B	h	l	l1	l2	l3	⚖️
RHSP-24.140.9005	140	155	M6	9	24	45	22	37	15	30	153

