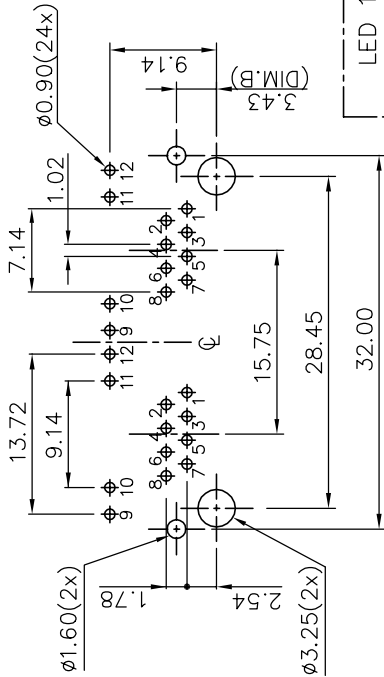
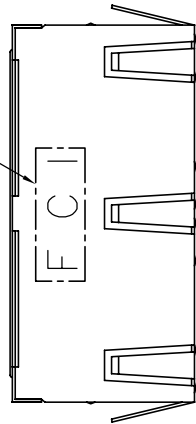


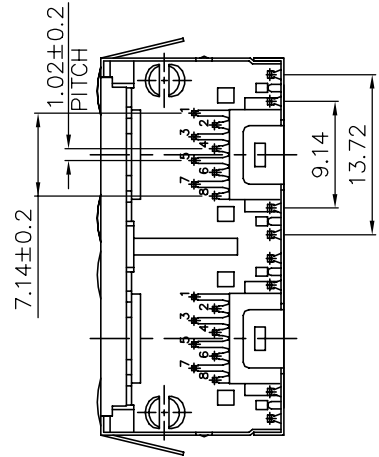
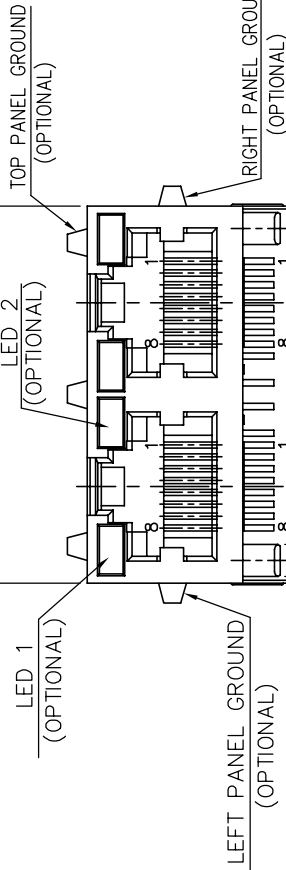
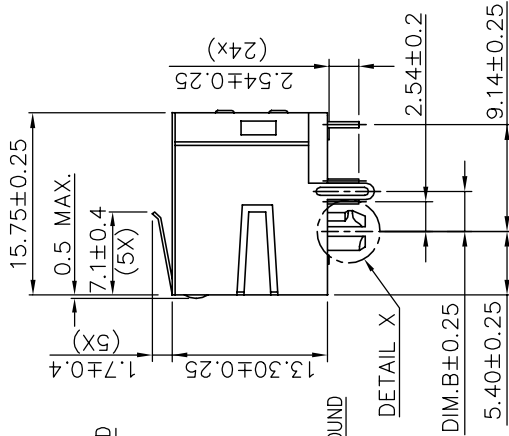
P/N	DIM.B
10118066-XXX6XXXLF	3.43

FCI LOGO(NOTE 3)

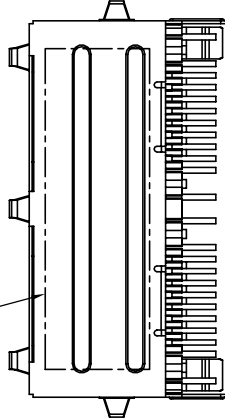


LED 1 LED 2
 9+ — — 10 11+ — — 12
 LED SCHEMATIC

RECOMMENDED PCB LAYOUT
 RECOMMENDED PCB THICKNESS: 1.6mm
 TOLERANCE: ±0.05mm (TOP VIEW)



PRINT P/N & DATE CODE
 (SEE NOTE 4)



mat'l. code		surface	tolerance	projection	product family
itr	ecn no	ASME Y14.5	ASME Y14.5	title	GANGED MJACK
A	WL 11/04/11	tolerances unless otherwise specified	X.X±0.25	MM	CAT 3 MULTI-PORTS TAB UP
B	ELX-N-13968 Henry 01/31/13	angles	X.XX±0.13	[INCH]	1x2 WITH SHIELD, W/ LED
		X'±1'	X.XXX±0.05	scale	
		dr	WENDY CHEN 05/11/11	FCI	dwg no sheet 1 of 2 size
		enfr	WENDY CHEN 05/11/11		10118066 A4
		chr	WENDY CHEN 05/11/11		type CUSTOMER Drawing
sheet	revision	appr	GARY HSIEH 05/11/11		
index	sheet				
	1				
	2				

