

HC-26P1N8A80DU - Cable connector



1623266

<https://www.phoenixcontact.com/us/products/1623266>

Please be informed that the data shown in this PDF document is generated from our online catalog. Please find the complete data in the user documentation. Our general terms of use for downloads are valid.



Cable connector, straight, Screw locking mechanism, M27, number of positions: 26, contact connection type: Pin, shielded: yes, degree of protection: IP67, when plugged in, cable diameter range: 2 mm ... 14.5 mm, number of positions: 26, connection method: Crimp connection, series: HC, Alternative product in accordance with RoHS II without Exemption 6c (Pb <0.1%) item no.: 1244836

Commercial data

Item number	1623266
Packing unit	1 pc
Sales key	AB32
Product key	ABRAJA
GTIN	4055626270180
Weight per piece (including packing)	87.514 g
Weight per piece (excluding packing)	87.514 g
Customs tariff number	85366990
Country of origin	DE

HC-26P1N8A80DU - Cable connector



1623266

<https://www.phoenixcontact.com/us/products/1623266>

Technical data

Notes

General	Order crimp contacts Ø 1 mm separately
---------	--

Mounting

Connection method	Crimp connection
-------------------	------------------

Product properties

Product type	Circular connector (cable-side)
Number of positions	26
Connection profile	26
Application	Signal
Series	HC
Shielded	yes
Coding	N
Thread type	M27

Material specifications

Seal material	NBR
Housing material	Metal

Connection data

Conductor connection	
Connection method	Crimp connection

Electrical properties

Contact	
Contact diameter	1 mm
Max. current	8 A
Nominal voltage U_N	48 V AC 74 V DC
Overvoltage category	III
Degree of pollution	3
Rated surge voltage	1.5 kV

Connector

Type	straight
Direction of rotation	Standard

Cable/line

External cable diameter	2 mm ... 14.5 mm
-------------------------	------------------

Environmental and real-life conditions

HC-26P1N8A80DU - Cable connector



1623266

<https://www.phoenixcontact.com/us/products/1623266>

Ambient conditions

Degree of protection	IP67, when plugged in
Ambient temperature (operation)	-20 °C ... 125 °C
Altitude	2000 m

HC-26P1N8A80DU - Cable connector

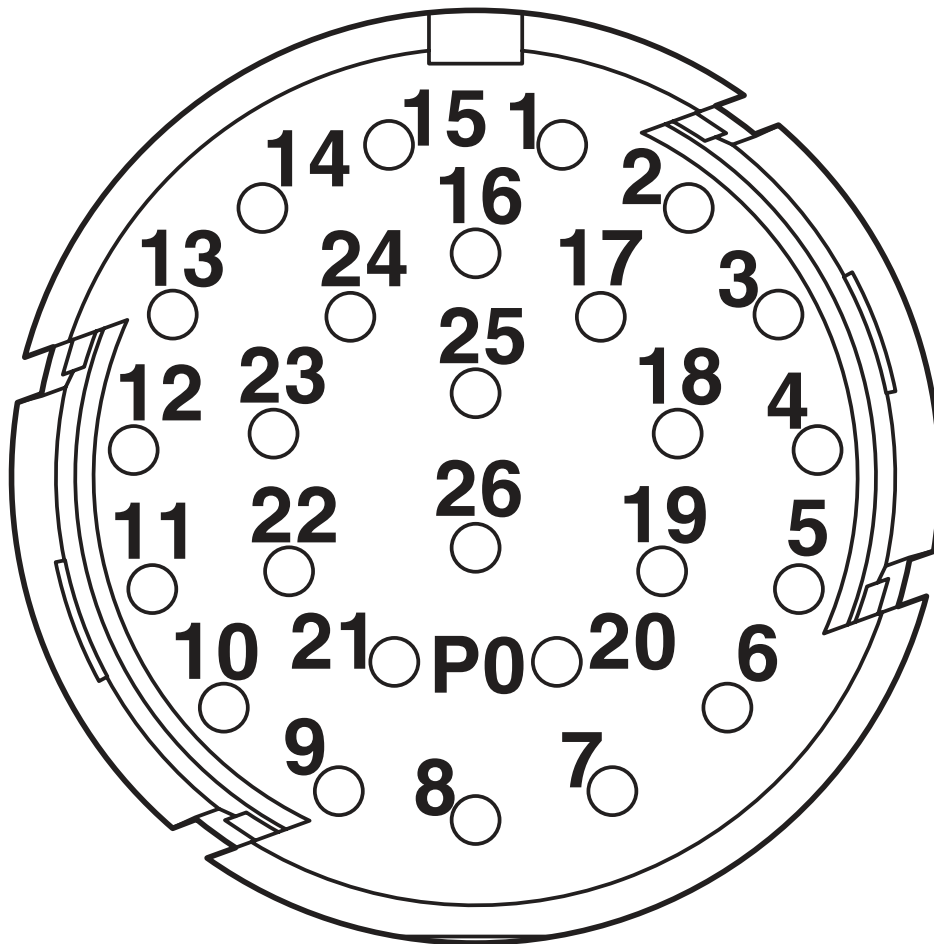


1623266

<https://www.phoenixcontact.com/us/products/1623266>

Drawings

Schematic diagram



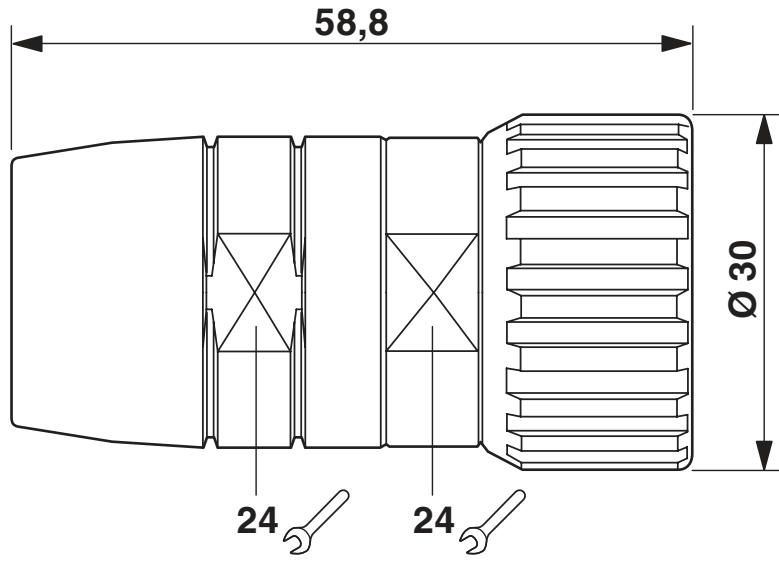
HC-26P1N8A80DU - Cable connector

1623266

<https://www.phoenixcontact.com/us/products/1623266>



Dimensional drawing



HC-26P1N8A80DU - Cable connector



1623266

<https://www.phoenixcontact.com/us/products/1623266>

Classifications

ECLASS

ECLASS-11.0	27440102
ECLASS-12.0	27440116
ECLASS-13.0	27440116

ETIM

ETIM 8.0	EC002635
----------	----------

UNSPSC

UNSPSC 21.0	39121400
-------------	----------

HC-26P1N8A80DU - Cable connector



1623266

<https://www.phoenixcontact.com/us/products/1623266>

Environmental product compliance

REACH SVHC	Lead 7439-92-1
China RoHS	Environmentally Friendly Use Period = 50 years
	For information on hazardous substances, refer to the manufacturer's declaration available under "Downloads"

HC-26P1N8A80DU - Cable connector



1623266

<https://www.phoenixcontact.com/us/products/1623266>

Accessories

HC-11P2000 - Crimp contact

1623428

<https://www.phoenixcontact.com/us/products/1623428>



Crimp contact, Pin, turned, contact diameter: 1 mm, crimp range: 0.08 mm² ... 0.22 mm², Alternative product in accordance with RoHS II without Exemption 6c (Pb <0.1%) item no.: 1244901

HC-12P2000 - Crimp contact

1623430

<https://www.phoenixcontact.com/us/products/1623430>



Crimp contact, Pin, turned, contact diameter: 1 mm, crimp range: 0.14 mm² ... 0.56 mm², Alternative product in accordance with RoHS II without Exemption 6c (Pb <0.1%) item no.: 1244901

HC-26P1N8A80DU - Cable connector

1623266

<https://www.phoenixcontact.com/us/products/1623266>



HC-1KP2000 - Crimp contact

1623432

<https://www.phoenixcontact.com/us/products/1623432>



Crimp contact, Pin, turned, contact diameter: 1 mm, crimp range: 0.5 mm² ... 1 mm², Alternative product in accordance with RoHS II without Exemption 6c (Pb <0.1%) item no.: 1244903

Phoenix Contact 2023 © - all rights reserved

<https://www.phoenixcontact.com>

Phoenix Contact USA
586 Fulling Mill Road
Middletown, PA 17057, United States
(+717) 944-1300
info@phoenixcon.com