



MADE  
IN THE **USA**

### Product Description:

- Glove Box Dispenser - Double with Divider
- Holds two boxes of gloves
- Three-way keyholes for vertical or horizontal wall mounting
- BOWMAN® Signature Series - Cherry Fauxwood ABS Plastic

### Primary Area for Product Usage:

- Anywhere gloves are needed

### Dispenses:

- Box(es) no larger than 5.50"W x 10.00"H x 3.75"D (14.0 cm x 25.4 cm x 9.5 cm)
- Box(es) no smaller than 4.50"W x 9.00"H x 3.00"D (11.4 cm x 22.9 cm x 7.6 cm)

### Package Specifications:

- Package Quantity: 6 per case
- 16"L x 12"W x 12"H (40.6 cm x 30.5 cm x 30.5 cm)
- 9.0 lbs (4.1 kg) - approximated

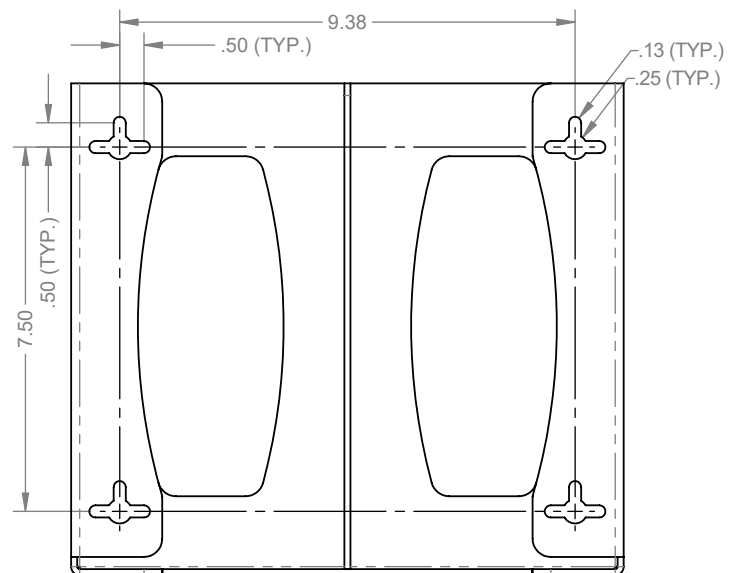
### Product Specifications (overall external dimensions):

- 11.38"W x 10.13"H x 4.00"D (28.9 cm x 25.7 cm x 10.2 cm)
- 1.2 lbs (0.5 kg) - approximated

### Mounting Specifications:

### Related Products (each sold separately):

- GL020-0111: Glove Dispenser - Double, PETG Plastic (shown below)
- GL020-0223: Glove Dispenser - Double, Maple Fauxwood ABS Plastic

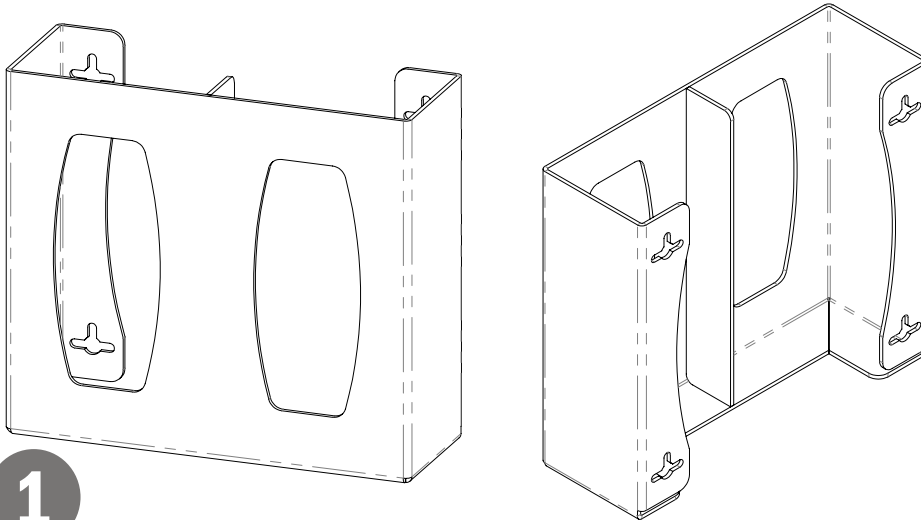




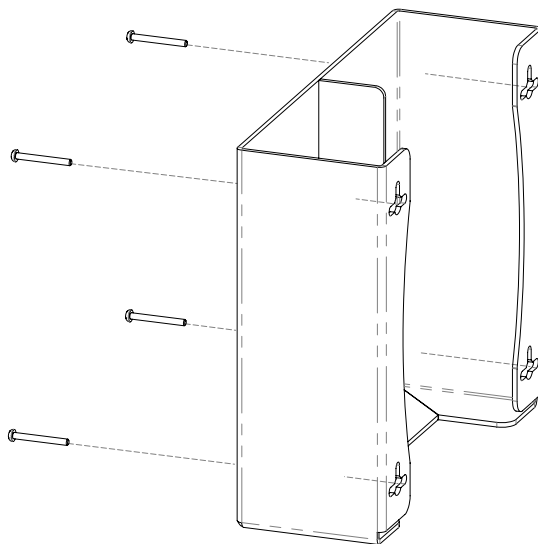
### Installation

Always mount dispensers securely *prior* to loading with product.

- Divider holds boxes separately and enables easy reloading even when mounted vertically.



- Mount securely to a wall with screws approved and supplied by building maintenance.



#### Parts included:

- Dispenser

#### Tools Required:

- No tools required to assemble dispenser

### Care and Construction

Fauxwood ABS Plastic

#### Material Characteristics

#### Designed for Long-Term, Heavy-Duty Applications

The combination of copolymers (Acrylonitrile, Butadiene, and Styrene) gives ABS an excellent combination of strength, rigidity, and toughness. The fauxwood finish is ARVINYL laminate created from a semi-rigid film.

ABS is chemical and stress-crack resistant. It is tough, dimensionally stable, and will hold up to long-term use. To ensure product longevity, fauxwood products should not be mounted in very hot or cold areas.

#### Care and Cleaning

Use mild soap and water to clean. Petroleum-based oils, solvents, and paints should not be used.

Standard hospital cleaning supplies are approved for use on our ABS plastic products.