



General Specifications

Allowable Ambient Temperature Range:

-10°C ~ +70°C (Operating)

-40°C ~ +70°C (Storage)

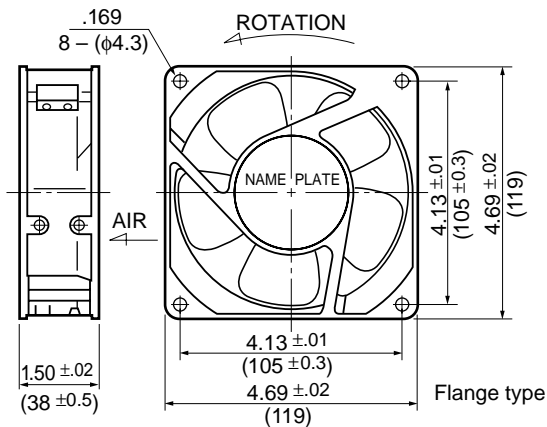
(non-condensing environment)

Motor Structure: Shaded Pole Induction Motor

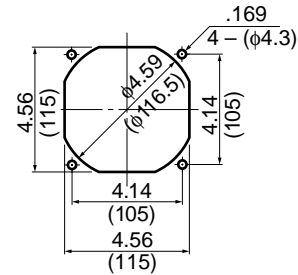
Motor Protection: Impedance Protection

Outline

Units: $\frac{\text{inch}}{\text{mm}}$



Panel Cut-outs



INLET SIDE / OUTLET SIDE

Material

Casing : Aluminum Alloy

Impeller : UL94V-O Reinforced Plastic

Bearing : Ball Bearings

Lead Wire: AWG22, UL3266, CSA CL1252

or Terminal: Faston #110 or equivalent

Specifications

MODEL