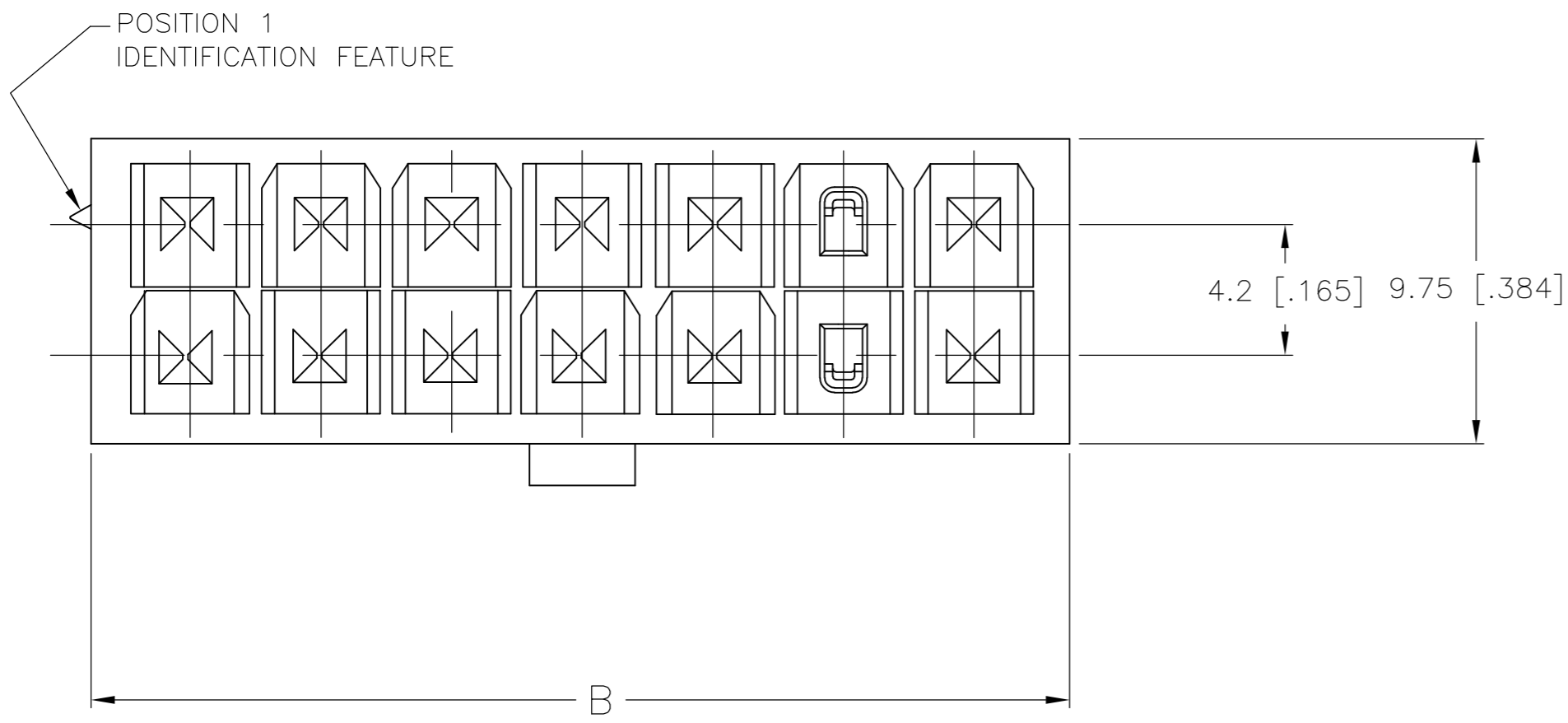
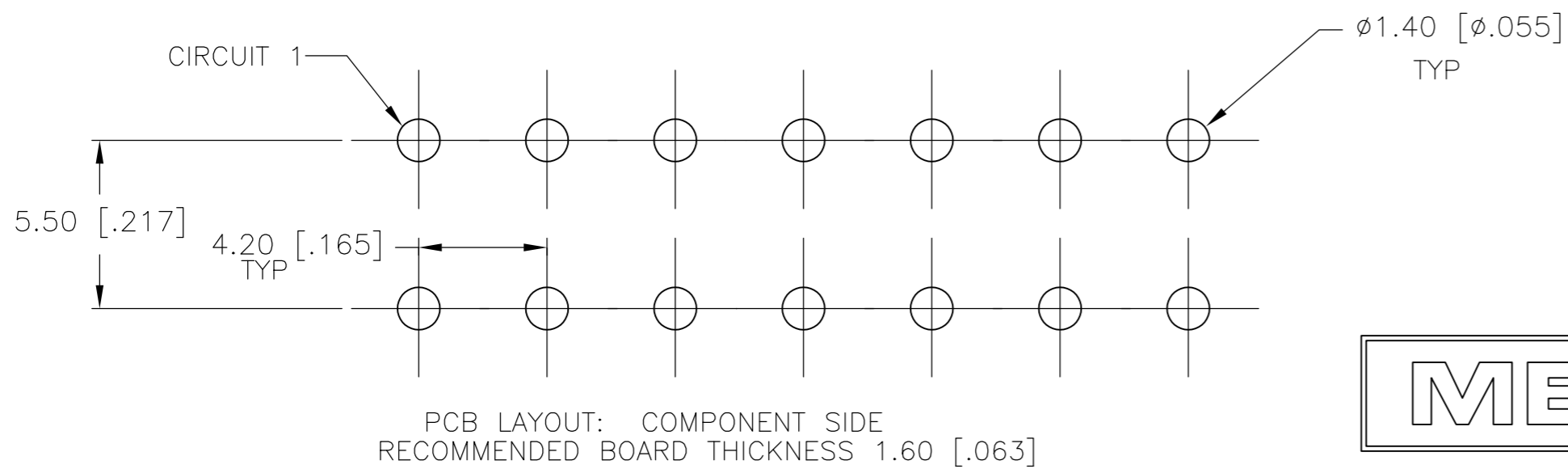
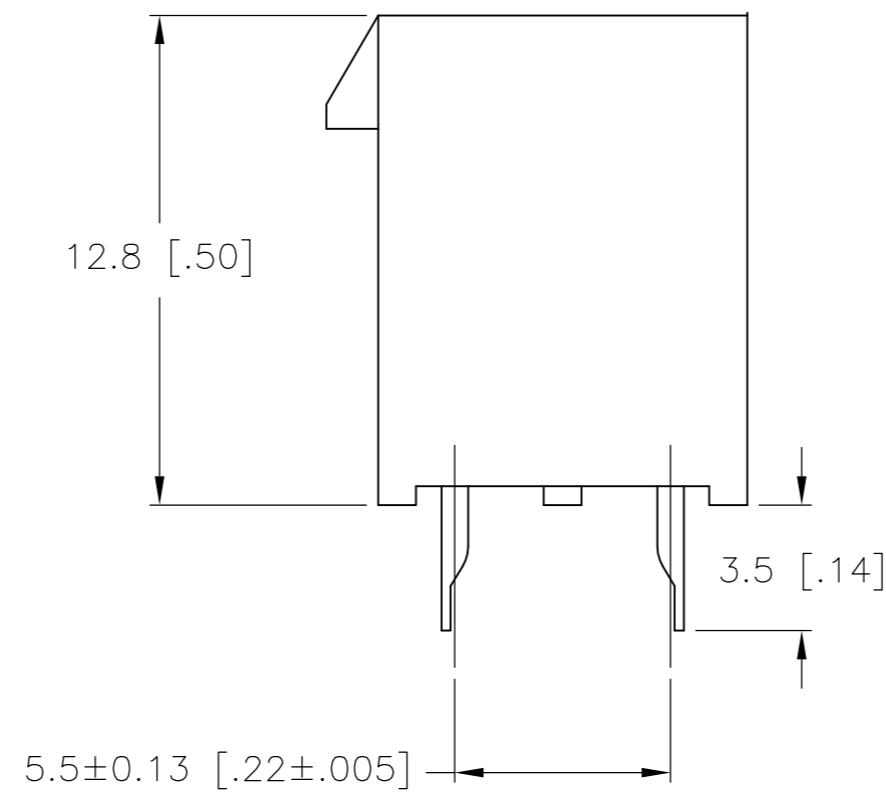
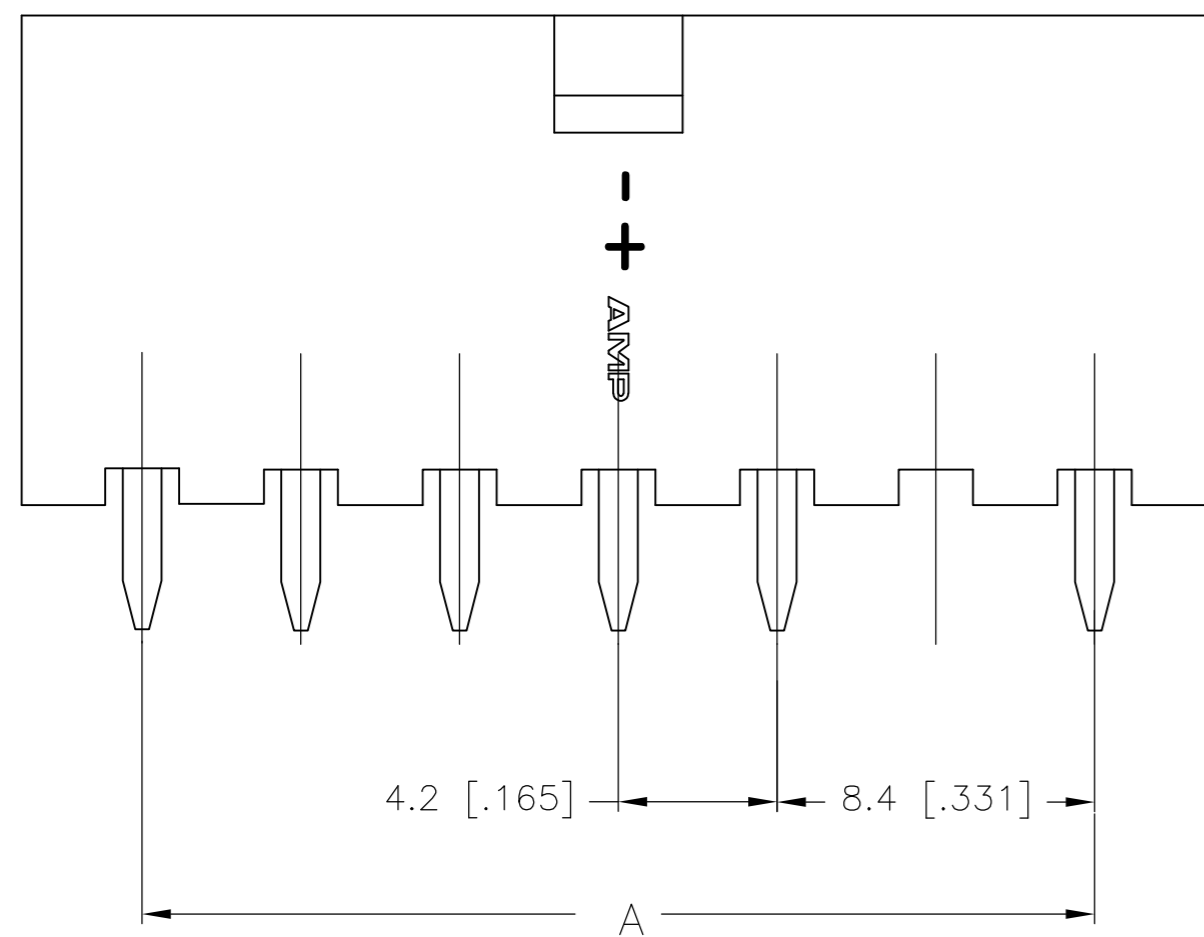


THIS DRAWING IS UNPUBLISHED. RELEASED FOR PUBLICATION  
 © COPYRIGHT BY TYCO ELECTRONICS CORPORATION. ALL RIGHTS RESERVED.

LOC	DIST	REVISIONS			
P	LTR	DESCRIPTION	DATE	DWN	APVD
CM	00	A	RELEASED	17OCT2008	KW CC



1 MATERIAL: HOUSING: NYLON, UL94V-2  
 CONTACTS: BRASS, TIN-PLATED



**METRIC**

6, 13	14	25.2±0.25 [.99±.01]	30.6 [1.21]	1-2029182-4
OMITTED PINS	POS	A	B±0.25[.01]	PART NUMBER

THIS DRAWING IS A CONTROLLED DOCUMENT.		DWN K. WHITAKER 13OCT2008	Tyco Electronics Corporation Harrisburg, PA 17105-3608	
DIMENSIONS: mm [INCHES]		CHK C. CASH 13OCT2008	NAME VERTICAL HEADER WITHOUT PEGS, WITH DRAIN HOLES VAL-U-LOK(TM)	
TOLERANCES UNLESS OTHERWISE SPECIFIED: 0 PLC ± 1 PLC ± 0.13 [.005] 2 PLC ± 0.25 [.01] 3 PLC ± - 4 PLC ± - ANGLES ±		APVD C. CASH 13OCT2008	SIZE A2	
MATERIAL 1		PRODUCT SPEC	CAGE CODE 00779	DRAWING NO C=2029182
FINISH		APPLICATION SPEC	RESTRICTED TO -	SCALE 5:1
		WEIGHT	SHEET 1 of 1	REV A
		CUSTOMER DRAWING		